





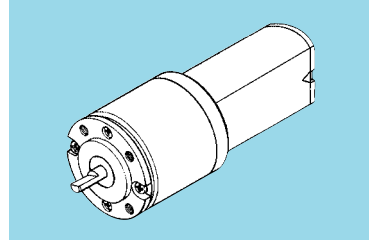
■ 12 VOLTS

■ 22 mm DIAMETER

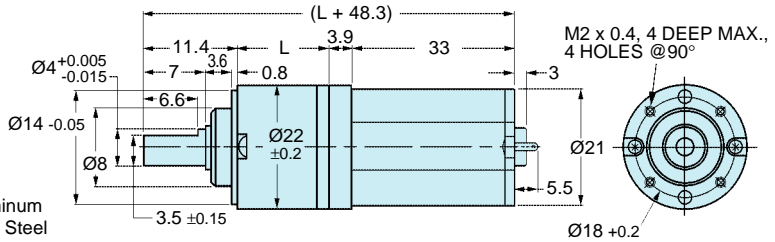
### MOTOR SPECIFICATIONS:

- Rated Voltage – 12V
- Rated Torque – 2.94 N • mm
- Rated Speed – 5150 rpm
- Rated Current – ≤ 280 mA
- No Load Speed – 6750 rpm
- No Load Current – ≤ 70 mA
- Rated Output – 1.55W
- Operating Temp. – -10°C to +60°C

For replacement gearheads, see A 2G22MG....D Series.



The projections shown are per ISO convention.



### MATERIAL:

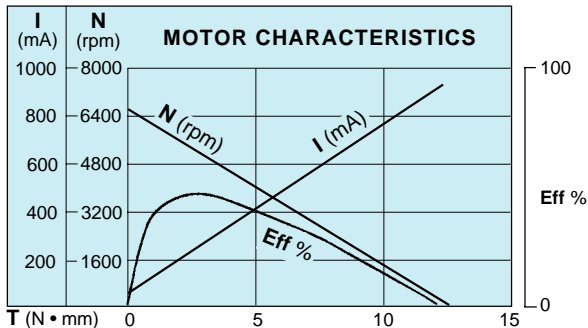
#### Housing:

- Gearhead – Aluminum
- Motor – Stamped Steel

#### Shafts & Gears – Steel

#### Bearings – Bronze

Catalog Number	Ratio to 1	L	Rated Torque N • mm (oz. in.)	Speed rpm	
				Rated	No Load
D33S57M46C0005	4.5	15.5	9.8 (1.4)	1104	1429
D33S57M46C0016	15.58		29.4 (4.2)	313	413
D33S57M46C0020	20.25		39.2 (5.6)	239	318
D33S57M46C0024	23.88	18.7	44.1 (6.3)	205	269
D33S57M46C0062	61.5		93.2 (13.2)	79	105
D33S57M46C0107	107.48		98.1 (13.9)	51	60
D33S57M46C0243	242.79	21.9	147.1 (20.8)	23	26
D33S57M46C0326	326.46		18	20	
D33S57M46C0410	410.06		14	16	
D33S57M46C0484	483.66	21.9	196.1 (27.8)	12	13





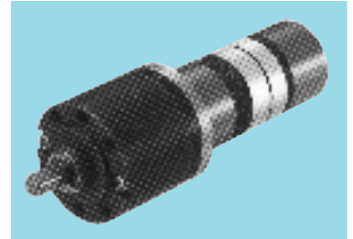
■ 12 VOLTS

■ 22 mm DIAMETER

**MOTOR SPECIFICATIONS:**

- Rated Voltage – 12V
- Rated Torque – 2.94 N • mm
- Rated Speed – 4700 rpm
- Rated Current – ≤ 210 mA
- No Load Speed – 8000 rpm
- No Load Current – ≤ 30 mA
- Rated Output – 1.41 W
- Operating Temp. – -10°C to +60°C

For replacement gearheads, see **A 2G22MG....D** Series

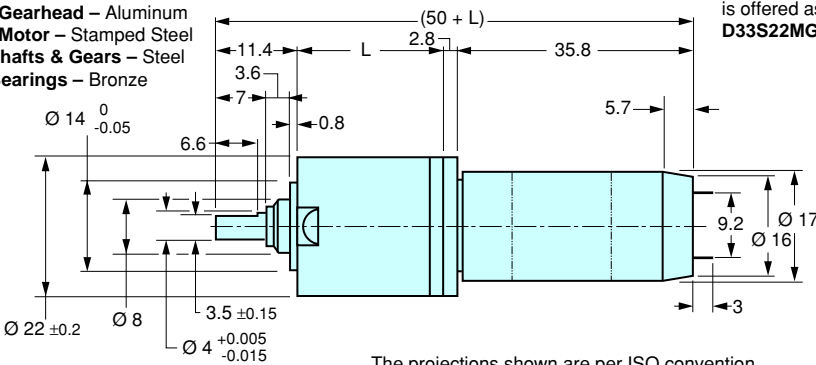


Same gearhead with different motor is offered as **D33S57M46C...** and **D33S22MG24...** series. See index.

**MATERIAL:**

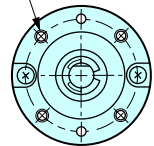
**Housing:**

- Gearhead – Aluminum
- Motor – Stamped Steel
- Shafts & Gears – Steel
- Bearings – Bronze



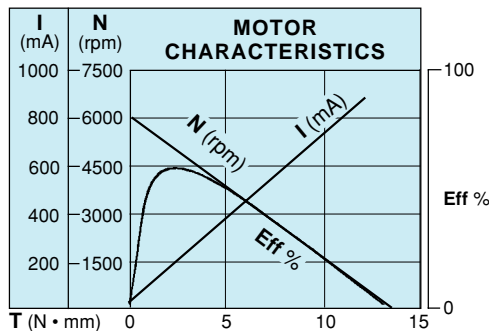
The projections shown are per ISO convention.

M2, 4 DEEP 4 HOLES @ 90° ON A  $\varnothing 18 \pm 0.2$  BOLT CIRCLE



Catalog Number	Ratio to 1	L	Rated Torque N • mm (oz. in.)	Speed rpm	
				Rated	No Load
D33S22MG120005	4.5	15.5	9.81 (1.39)	1011	1276
D33S22MG120016	15.58		29.4 (4.16)	287	368
D33S22MG120020	20.25		39.2 (5.55)	219	283
D33S22MG120024	23.88		44.1 (6.24)	189	240
D33S22MG120062	61.5	18.7	93.2 (13.2)	73	93

Continued on the next page





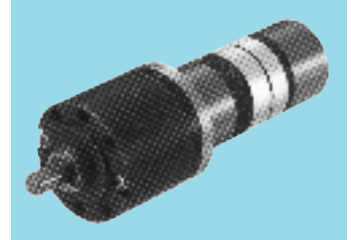
■ 12 VOLTS

■ 22 mm DIAMETER

**MOTOR SPECIFICATIONS:**

- Rated Voltage – 12V
- Rated Torque – 2.94 N • mm
- Rated Speed – 4700 rpm
- Rated Current – ≤ 210 mA
- No Load Speed – 8000 rpm
- No Load Current – ≤ 30 mA
- Rated Output – 1.41 W
- Operating Temp. – -10°C to +60°C

For replacement gearheads, see **A 2G22MG....D Series**

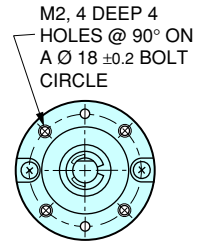
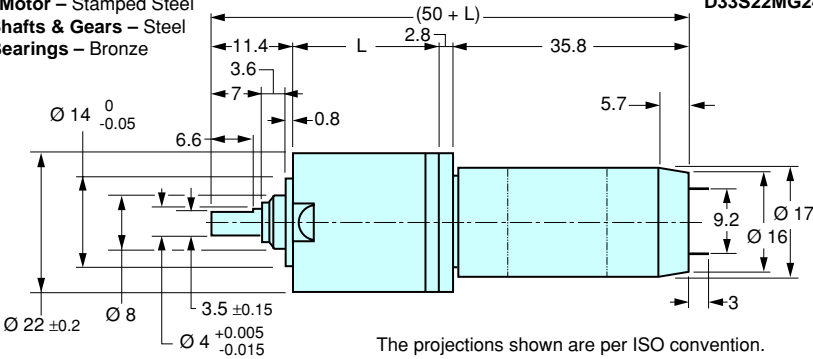


Same gearhead with different motor is offered as **D33S57M46C...** and **D33S22MG24...** series. See index.

**MATERIAL:**

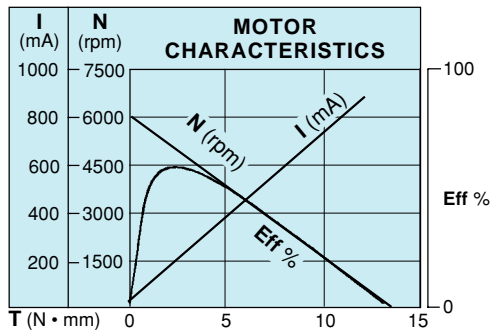
**Housing:**

- Gearhead – Aluminum
- Motor – Stamped Steel
- Shafts & Gears – Steel
- Bearings – Bronze



The projections shown are per ISO convention.

Catalog Number	Ratio to 1	L	Rated Torque N • mm (oz. in.)	Speed rpm	
				Rated	No Load
D33S22MG120107	107.48	18.7	98.1 (13.9)	46	53
D33S22MG120243	242.79	21.9	147 (20.8)	21	24
D33S22MG120326	326.46		147 (20.8)	16	18
D33S22MG120410	410.06		196 (27.8)	13	14
D33S22MG120484	483.66		196 (27.8)	11	12





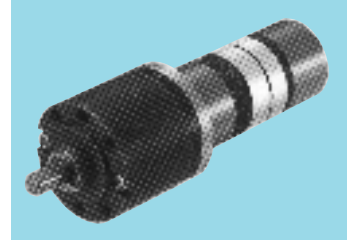
■ 24 VOLTS

■ 22 mm DIAMETER

**MOTOR SPECIFICATIONS:**

- Rated Voltage – 24V
- Rated Torque – 3.92 N • mm
- Rated Speed – 10400 rpm
- Rated Current – ≤ 290 mA
- No Load Speed – 12200 rpm
- No Load Current – ≤ 30 mA
- Rated Output – 4.16 W
- Operating Temp. – -10°C to +60°C

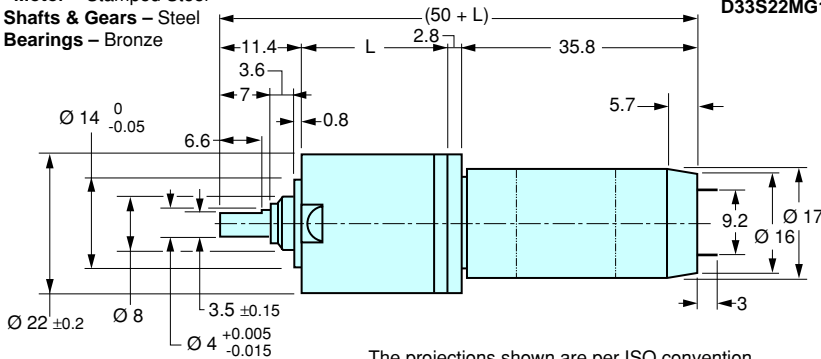
For replacement gearheads, see **A 2G22MG....D Series**



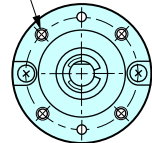
Same gearhead with different motor is offered as **D33S57M46C...** and **D33S22MG12...** series. See index.

**MATERIAL:**

- Housing:
  - Gearhead – Aluminum
  - Motor – Stamped Steel
- Shafts & Gears – Steel
- Bearings – Bronze

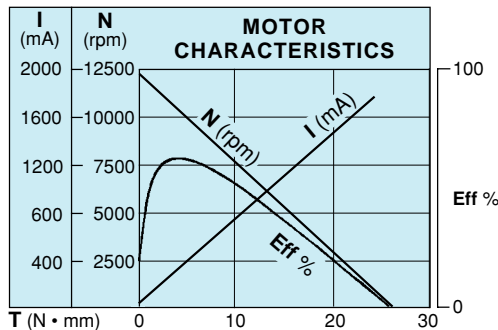


M2, 4 DEEP 4 HOLES @ 90° ON A Ø 18 ±0.2 BOLT CIRCLE



Catalog Number	Ratio to 1	L	Rated Torque N • mm (oz. in.)	Speed rpm	
				Rated	No Load
D33S22MG240005	4.5	15.5	9.81 (1.39)	2377	2651
D33S22MG240016	15.58		39.2 (5.55)	653	766
D33S22MG240020	20.25		49 (6.95)	506	589
D33S22MG240024	23.88		49 (6.95)	440	500
D33S22MG240062	61.5	18.7	98.1 (13.9)	172	194

Continued on the next page





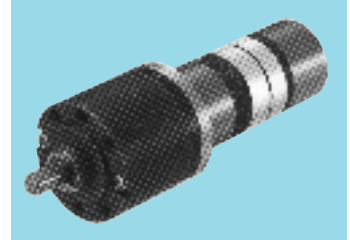
■ 24 VOLTS

■ 22 mm DIAMETER

**MOTOR SPECIFICATIONS:**

- Rated Voltage – 24V
- Rated Torque – 3.92 N • mm
- Rated Speed – 10400 rpm
- Rated Current – ≤ 290 mA
- No Load Speed – 12200 rpm
- No Load Current – ≤ 30 mA
- Rated Output – 4.16 W
- Operating Temp. – -10°C to +60°C

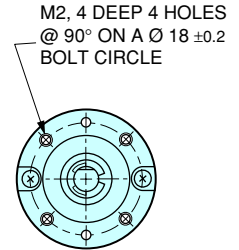
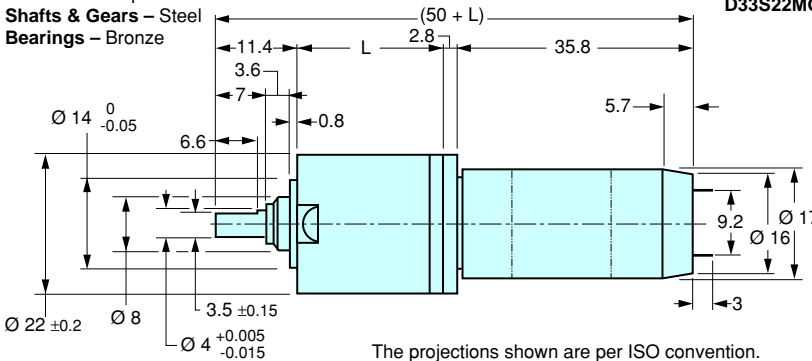
For replacement gearheads, see **A 2G22MG...D** Series



Same gearhead with different motor is offered as **D33S57M46C...** and **D33S22MG12...** series. See index.

**MATERIAL:**

- Housing:
  - Gearhead – Aluminum
  - Motor – Stamped Steel
- Shafts & Gears – Steel
- Bearings – Bronze



Catalog Number	Ratio to 1	L	Rated Torque N • mm (oz. in.)	Speed rpm	
				Rated	No Load
D33S22MG240107	107.48	18.7	147 (20.8)	104	111
D33S22MG240243	242.79	21.9	147 (20.8)	46	49
D33S22MG240326	326.46		147 (20.8)	35	37
D33S22MG240410	410.06		196 (27.8)	28	29
D33S22MG240484	483.66		196 (27.8)	24	25

