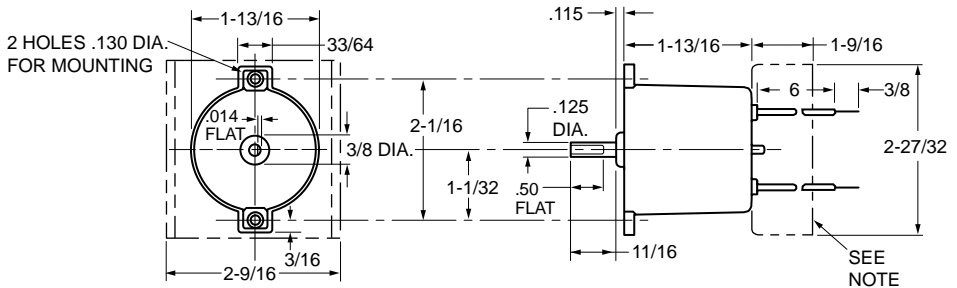
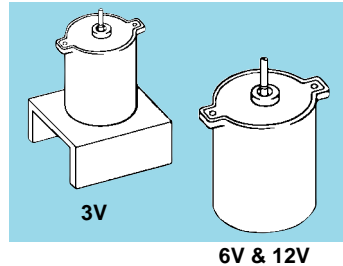




■ LOW VOLTAGE

■ REVERSIBLE

■ SELF-STARTING



SPECIFICATIONS: No Load Drain Approx: 10 mA @ 3V
8 mA @ 6V
4 mA @ 12V

MATERIAL: Housing - Molded Plastic
Shaft - Steel

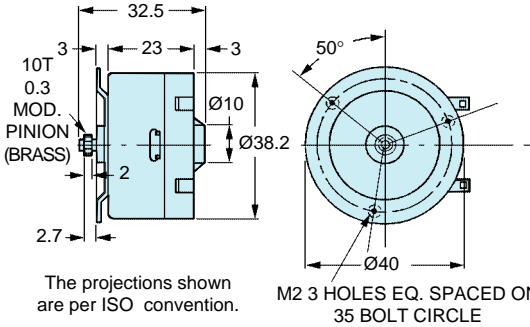
Catalog Number			rpm No Load	Gear Ratio	Stall Torque oz. in.	Running Torque oz. in.
3 Volts	6 Volts	12 Volts				
A 3Z16-0005A	A 3Z16-0005B	A 3Z16-0005C	.5	4300:1	90	22
A 3Z16-0010A	A 3Z16-0010B	A 3Z16-0010C	1	1740:1	65	16
A 3Z16-0015A	A 3Z16-0015B	A 3Z16-0015C	1.5	1075:1	40	10
A 3Z16-0020A	A 3Z16-0020B	A 3Z16-0020C	2	845:1	31	7.8
A 3Z16-0040A	A 3Z16-0040B	A 3Z16-0040C	4	435:1	18	4.5
A 3Z16-0050A	A 3Z16-0050B	A 3Z16-0050C	5	342:1	14	3.5
A 3Z16-0070A	A 3Z16-0070B	A 3Z16-0070C	7	269:1	12	3
A 3Z16-0085A	A 3Z16-0085B	A 3Z16-0085C	8.5	211:1	10	2.5
A 3Z16-0160A	A 3Z16-0160B	A 3Z16-0160C	16	109:1	5	1.3
A 3Z16-0200A	A 3Z16-0200B	A 3Z16-0200C	20	86:1	3.2	.8
A 3Z16-0250A	A 3Z16-0250B	A 3Z16-0250C	25	67:1	2.8	.7
A 3Z16-0300A	A 3Z16-0300B	A 3Z16-0300C	30	53:1	2.4	.6
A 3Z16-1150A	A 3Z16-1150B	A 3Z16-1150C	115	16:1	.8	.2

NOTE: 3 Volt gearmotors supplied with twist-on clip for two "D" size batteries (not included). Direction of rotation clockwise facing shaft. Opposite rotation on special order.



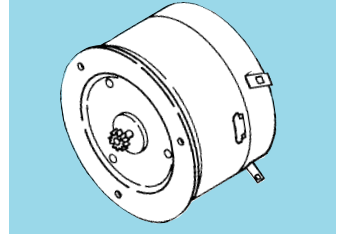
■ 6, 12 & 24 VOLTS DC

■ REVERSIBLE



The projections shown are per ISO convention.

M2 3 HOLES EQ. SPACED ON 35 BOLT CIRCLE



FEATURES:

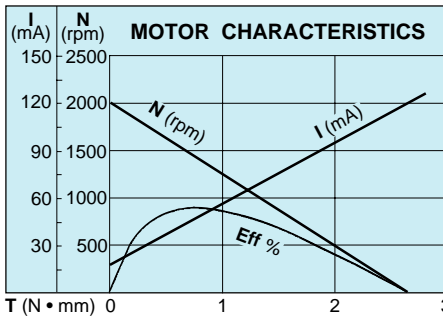
- Reversible
- Low Noise & Vibration Levels
- Lightweight – 64 grams
- For Mating Gearheads, see A 2G15M.... Series.

MATERIAL: Housing – Stamped Steel
Molded Brush Enclosure

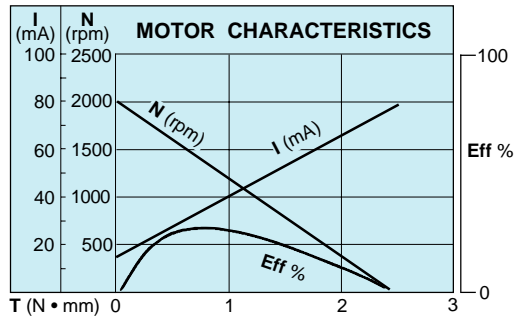
FINISH: Zinc Chromate

Catalog Number	Volts D.C.	No Load		Rated Load			
		Current mA	Speed rpm	Torque N • mm	Current mA	Speed rpm	Output Watts
A 3M15M006P1	6	20	2000	0.98	60	1250	0.1
A 3M15M012P1	12	15	2000	0.98	39	1200	0.1
A 3M15M024P1	24	10	3000	0.98	26	2500	0.3

6 Volts



12 Volts



24 Volts

