



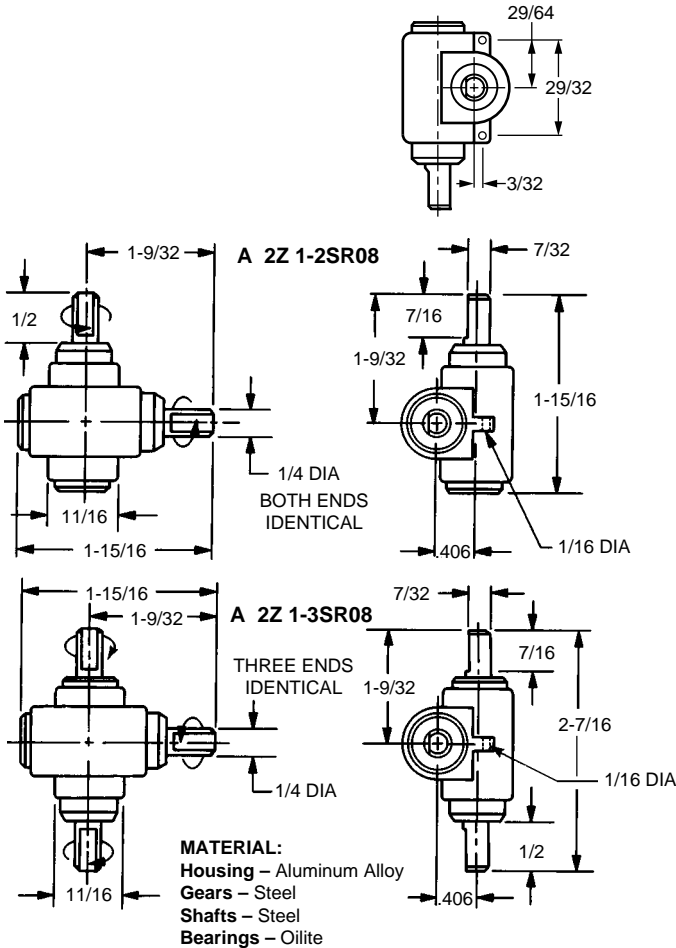
INCH

Right Angle and Dual Helical Gear Drives

■ RATED SPEEDS UP TO 600 RPM

■ LIGHT-DUTY

■ 1:1 RATIO



BACKLASH: 6° Nominal

Catalog Number	Shaft Extension	Shaft Dia.	Gear Ratio	Torque Capacity lb. in.			Approx. Weight oz.
				Ultimate Static	Manual	Dynamic	
RIGHT ANGLE DRIVES							
A ZZ 1-2SR08	Right	1/4	1:1	25	20	3	3-1/2
A ZZ 1-2RR08	Left						
DUAL DRIVE							
A ZZ 1-3SR08	Right	1/4	1:1	25	20	3	3-1/2

NOTE: Any shaft can be used as input.

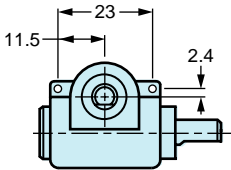
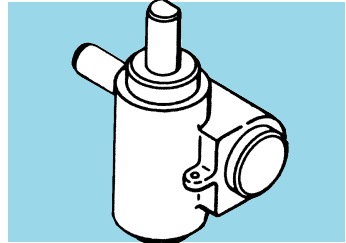
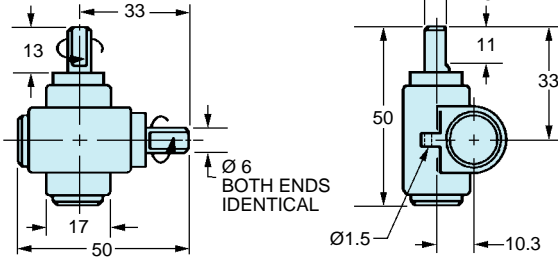


■ RATED SPEEDS UP TO 600 RPM

■ LIGHT-DUTY

■ 1:1 RATIO

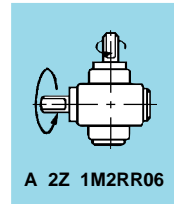
A 2Z 1M2SR06



The projections shown are per ISO convention

MATERIAL:

- Housing** – Aluminum Alloy
- Gears** – Steel
- Shafts** – Steel
- Bearings** – Oilite



A 2Z 1M2RR06

BACKLASH: 6° Nominal

Catalog Number	Shaft Extension	Shaft Dia.	Gear Ratio	Torque Capacity N • m			Approx. Weight grams
				Ultimate Static	Manual	Dynamic	
*A 2Z 1M2SR06	Right	6	1:1	2.8	2.3	0.35	100
*A 2Z 1M2RR06	Left						

NOTE: Any shaft can be used as input.

*To be discontinued when current stock is depleted

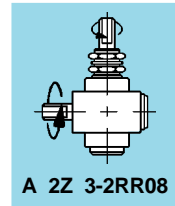
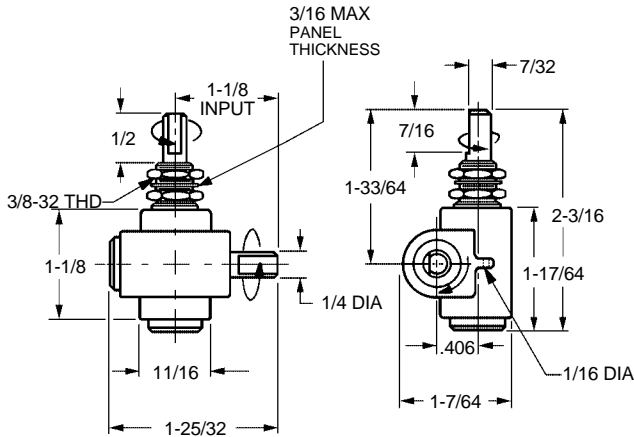
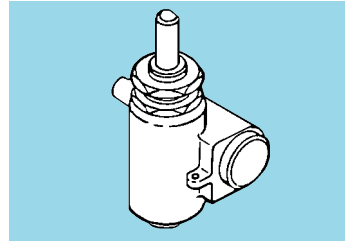
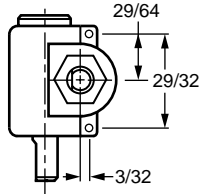


INCH

Right Angle Helical Gear Drives

- RATED SPEEDS UP TO 600 RPM
- 1:1 RATIO
- PANEL-MOUNTED
- LIGHT-DUTY

A 2Z 3-2SR08



MATERIAL:

Housing – Aluminum Alloy

Gears – Steel Helical

Shafts – Steel

Bearings – Oilite

BACKLASH: 6° Nominal

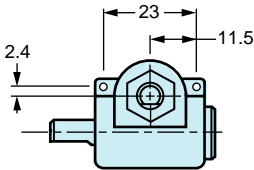
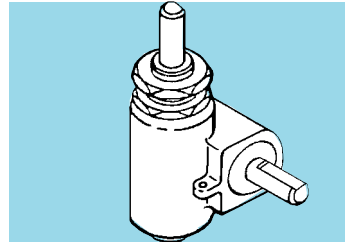
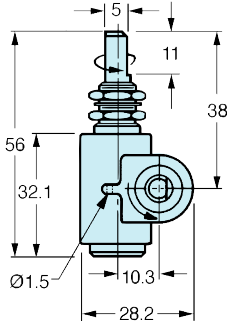
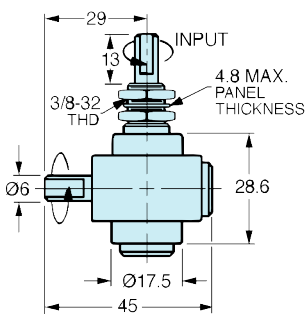
Catalog Number	Shaft Extension	Shaft Dia.	Gear Ratio	Torque Capacity lb. in.			Approx. Weight oz.
				Ultimate Static	Manual	Dynamic	
A 2Z 3-2SR08	Right	1/4	1:1	25	20	3	3-1/2
A 2Z 3-2RR08	Left						



■ RATED SPEEDS UP TO 600 RPM

■ PANEL-MOUNTED

■ 1:1 RATIO



The projections shown are per ISO convention.

MATERIAL:

Housing – Aluminum Alloy

Gears – Steel

Shafts – Steel

Bearings – Oilite

BACKLASH: 6° Nominal

Catalog Number	Shaft Extension	Shaft Dia.	Gear Ratio	Torque Capacity N • m			Approx. Weight grams
				Ultimate Static	Manual	Dynamic	
*A 2Z 3M2RR06	Left	6	1:1	2.8	2.3	0.35	100

* To be discontinued when current stock is depleted.

Did You Know?

...That SDP / Sterling's ON-LINE computer system was designed with customer service in mind? It provides instantaneous information on:

- Availability of inventory
- Status of customer orders
- Quantity pricing
- Allocation of materials
- Status of production releases