



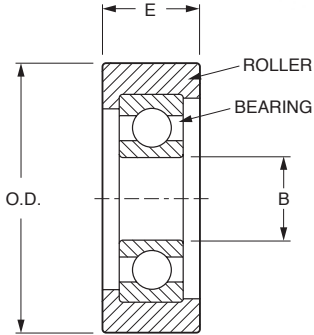
*Inch Inch Inch Inch Inch Inch Inch*

**Rollers**

**Stock Drive Products/Sterling Instrument ■ Phone: 516-328-3300 ■ Fax: 516-326-8827**

- WITH BEARING
- NYLON SURFACE
- FOR LOADS OF 50 TO 230 POUNDS

**INTECH Power-Core™**



**MATERIAL:** Roller – Cast Nylon 12 (PA12G)  
 Bearing – Ball bearing shielded on both sides

Catalog Number	O.D.	B Bore + .000 - .005	E Roller Width	Load Capacity lb.
S7NPCY-25081	.812	.250	.274	50
S7NPCY-25100	1.000	.250	.390	90
S7NPCY-38131	1.312	.375	.500	140
S7NPCY-38138	1.375	.375	.500	150
S7NPCY-50150	1.500	.500	.438	160
S7NPCY-50200	2.000	.500	.500	230