

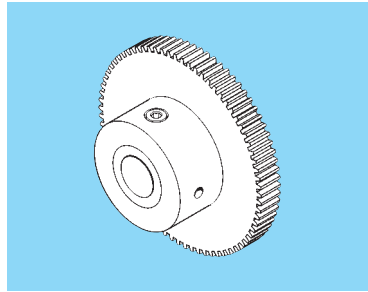
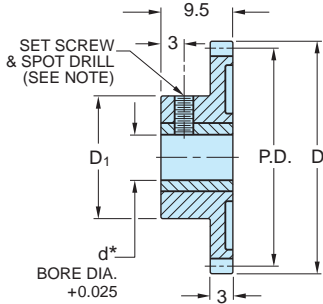


■ ISO CLASS 9

■ 20° PRESSURE ANGLE

■ 3 mm FACE WIDTH

1
GEARS



QUALITY CLASS



CATALOG NUMBER DESIGNATION:

A 1 P 2 M Y D 0 4

No. of Teeth

- * Bore Code
- A 3 mm Dia.
- B 4 mm Dia.
- C 5 mm Dia.
- D 6 mm Dia.

MATERIAL: Gear - Acetal
Insert - Brass

Basic Catalog Number	No. of Teeth	P.D.	D	D ₁ Hub Dia.
A 1P 2MYD04036 <input type="checkbox"/>	36	14.4	15.2	13
A 1P 2MYD04038 <input type="checkbox"/>	38	15.2	16	
A 1P 2MYD04040 <input type="checkbox"/>	40	16	16.8	
A 1P 2MYD04042 <input type="checkbox"/>	42	16.8	17.6	
A 1P 2MYD04044 <input type="checkbox"/>	44	17.6	18.4	
A 1P 2MYD04045 <input type="checkbox"/>	45	18	18.8	
A 1P 2MYD04046 <input type="checkbox"/>	46	18.4	19.2	
A 1P 2MYD04048 <input type="checkbox"/>	48	19.2	20	
A 1P 2MYD04050 <input type="checkbox"/>	50	20	20.8	
A 1P 2MYD04055 <input type="checkbox"/>	55	22	22.8	
A 1P 2MYD04056 <input type="checkbox"/>	56	22.4	23.2	
A 1P 2MYD04060 <input type="checkbox"/>	60	24	24.8	
A 1P 2MYD04064 <input type="checkbox"/>	64	25.6	26.4	16
A 1P 2MYD04065 <input type="checkbox"/>	65	26	26.8	
A 1P 2MYD04070 <input type="checkbox"/>	70	28	28.8	
A 1P 2MYD04072 <input type="checkbox"/>	72	28.8	29.6	
A 1P 2MYD04074 <input type="checkbox"/>	74	29.6	30.4	
A 1P 2MYD04075 <input type="checkbox"/>	75	30	30.8	
A 1P 2MYD04080 <input type="checkbox"/>	80	32	32.8	

Basic Catalog Number	No. of Teeth	P.D.	D	D ₁ Hub Dia.
A 1P 2MYD04084 <input type="checkbox"/>	84	33.6	34.4	16
A 1P 2MYD04085 <input type="checkbox"/>	85	34	34.8	
A 1P 2MYD04088 <input type="checkbox"/>	88	35.2	36	
A 1P 2MYD04090 <input type="checkbox"/>	90	36	36.8	
A 1P 2MYD04092 <input type="checkbox"/>	92	36.8	37.6	
A 1P 2MYD04095 <input type="checkbox"/>	95	38	38.8	
A 1P 2MYD04096 <input type="checkbox"/>	96	38.4	39.2	19
A 1P 2MYD04100 <input type="checkbox"/>	100	40	40.8	
A 1P 2MYD04108 <input type="checkbox"/>	108	43.2	44	
A 1P 2MYD04110 <input type="checkbox"/>	110	44	44.8	
A 1P 2MYD04112 <input type="checkbox"/>	112	44.8	45.6	
A 1P 2MYD04120 <input type="checkbox"/>	120	48	48.8	
A 1P 2MYD04127 <input type="checkbox"/>	127	50.8	51.6	
A 1P 2MYD04128 <input type="checkbox"/>	128	51.2	52	
A 1P 2MYD04130 <input type="checkbox"/>	130	52	52.8	
A 1P 2MYD04144 <input type="checkbox"/>	144	57.6	58.4	
A 1P 2MYD04152 <input type="checkbox"/>	152	60.8	61.6	
A 1P 2MYD04160 <input type="checkbox"/>	160	64	64.8	
A 1P 2MYD04168 <input type="checkbox"/>	168	67.2	68	

NOTE: Gears under 80 teeth have no webs.

Gears with 3 mm & 4 mm bore have M2.5 set screw & spot drill.
5 mm & 6 mm bore have M3 set screw & spot drill.