

THIS ISEL BALL NUT IS PATENTED

PHONE: 516.328.3300 • FAX: 516.326.8827 • WWW.SDP-SI.COM

> MATERIAL:

Ball Nut - Steel, Cf 53, ground, polished and hardened to HRC 62 ± 2

> SPECIFICATIONS:

Ball nut is 50 mm long by 28 mm diameter. 2 optional mounting brackets allow for flange mounting or base mounting. Both feature standard lubrication ports and are made of steel with a black oxide finish. Available in 2.5, 5, 10 and 20 mm pitch. Repeatability < 0.01 mm, accuracy < 0.1 mm/300 mm when used with our sleeve. Optional wipers available. Compatible with 16 mm diameter ball screws. See index under **Ball Screws**.

Produce greater than 90% efficiency in converting rotary to linear or linear to rotary motion.

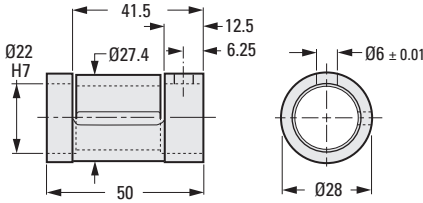


Fig. 1



Fig. 1

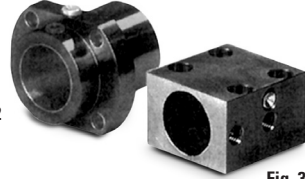


Fig. 2

Fig. 3

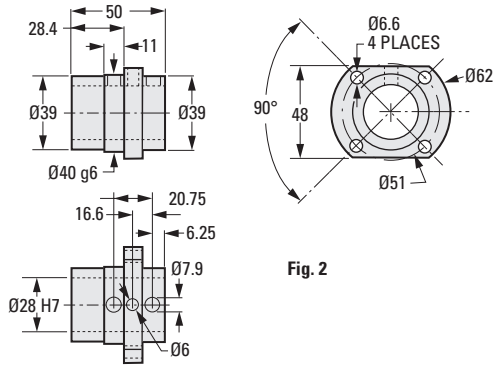


Fig. 2

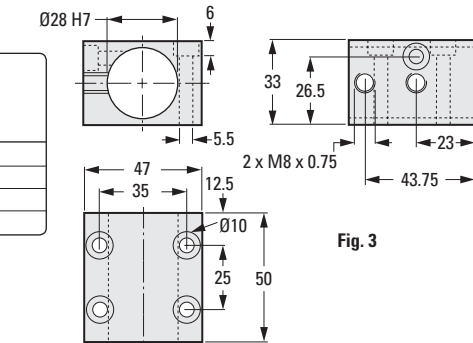


Fig. 3

METRIC COMPONENT

Catalog Number Fig. 1	Pitch
S6652HM2135025	2.5
S6652HM2135050	5
S6652HM2135100	10
S6652HM2135200	20

Catalog Number
FLANGE MOUNTING BLOCK (Fig. 2) S6652HMF2135
BASE MOUNTING BLOCK (Fig. 3) S6652HMB2135
WIPERS (not shown) S6652HMW6135

THIS ISEL BALL NUT IS A PATENTED ANTI-BACKLASH DESIGN

PHONE: 516.328.3300 • FAX: 516.326.8827 • WWW.SDP-SI.COM



> MATERIAL:

- Balls** - Hardened Steel HRC 63 ± 2
- Ball Nut** - Steel, Cf 53, ground, polished and hardened to HRC 62 ± 2

> SPECIFICATIONS:

Repeatability of 0.01 mm and accuracy of 0.1 mm/300 mm when used with our ball screws. Blank shaft is used to retain balls during shipment. Can be used with 16 mm ball screws; see index. Available in 2 heights of 25.3 mm and 28.5 mm.



Fig. 1



Fig. 2

Photographed with blank shaft to retain balls.

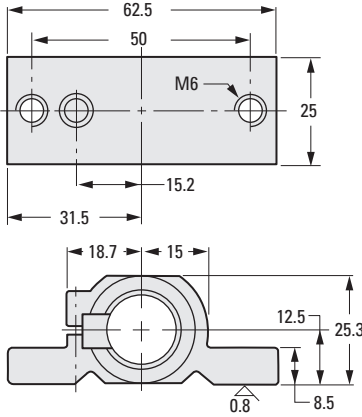


Fig. 1

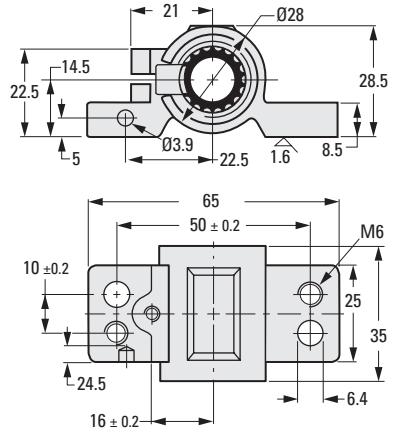


Fig. 2

METRIC COMPONENT

Catalog Number	Fig. No.	Pitch
S6653HM2130040	1	4
S6653HM2130050	1	5
S6653HM2130100	2	10
S6653HM2130200	2	20