

ISO CLASS 6
35° SPIRAL ANGLE
MODULE 2, 2.5, 3, 3.5, 4 & 5
20° PRESSURE ANGLE

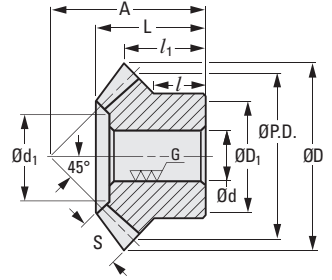


> MATERIAL:

AISI 1045 Steel, Tooth Surfaces
Induction Hardened to HRC 48...53

> FINISH:

Black Oxide, except Ground Bore
and Tooth Surfaces



METRIC COMPONENT

| Catalog Number* | Mod. | d Bore H7 | P.D. | D Dia. | S Face Width | L Length | D ₁ Hub Dia. | l Hub Proj. | A Mtg. Dist. | d ₁ | l ₁ Crown to Back |
|------------------------|------|-----------|------|--------|--------------|----------|-------------------------|-------------|--------------|----------------|------------------------------|
| No. of Teeth 20 | | | | | | | | | | | |
| S13S1YMK20G20L12 | 2 | 12 | 40 | 42.4 | 10 | 24.75 | 34 | 14 | 37 | 21.72 | 18.2 |
| S13S1YMK20G20R12 | 2 | 12 | 40 | 42.4 | 10 | 24.75 | 34 | 14 | 37 | 21.72 | 18.2 |
| S13S1YMK25G20L14 | 2.5 | 14 | 50 | 52.94 | 12 | 32.42 | 42 | 19 | 48 | 28.06 | 24.47 |
| S13S1YMK25G20R14 | 2.5 | 14 | 50 | 52.94 | 12 | 32.42 | 42 | 19 | 48 | 28.06 | 24.47 |
| S13S1YMK30G20L16 | 3 | 16 | 60 | 63.72 | 15 | 39.6 | 50 | 23 | 58 | 31.57 | 29.86 |
| S13S1YMK30G20R16 | 3 | 16 | 60 | 63.72 | 15 | 39.6 | 50 | 23 | 58 | 31.57 | 29.86 |
| S13S1YMK35G20L20 | 3.5 | 20 | 70 | 74.47 | 18 | 43.81 | 60 | 25 | 65 | 39.09 | 32.23 |
| S13S1YMK35G20R20 | 3.5 | 20 | 70 | 74.47 | 18 | 43.81 | 60 | 25 | 65 | 39.09 | 32.23 |
| S13S1YMK40G20L20 | 4 | 20 | 80 | 84.88 | 20 | 50.51 | 64 | 27 | 75 | 43.43 | 37.44 |
| S13S1YMK40G20R20 | 4 | 20 | 80 | 84.88 | 20 | 50.51 | 64 | 27 | 75 | 43.43 | 37.44 |
| S13S1YMK50G20L25 | 5 | 25 | 100 | 105.9 | 26 | 60.16 | 80 | 30 | 90 | 54.46 | 42.95 |
| S13S1YMK50G20R25 | 5 | 25 | 100 | 105.9 | 26 | 60.16 | 80 | 30 | 90 | 54.46 | 42.95 |
| No. of Teeth 25 | | | | | | | | | | | |
| S13S1YMK20G25L12 | 2 | 12 | 50 | 52.4 | 12 | 24.19 | 40 | 10 | 40 | 26.06 | 16.2 |
| S13S1YMK20G25R12 | 2 | 12 | 50 | 52.4 | 12 | 24.19 | 40 | 10 | 40 | 26.06 | 16.2 |
| S13S1YMK25G25L16 | 2.5 | 16 | 62.5 | 65.54 | 15 | 30.24 | 50 | 12.5 | 50 | 34.57 | 20.27 |
| S13S1YMK25G25R16 | 2.5 | 16 | 62.5 | 65.54 | 15 | 30.24 | 50 | 12.5 | 50 | 34.57 | 20.27 |
| S13S1YMK30G25L20 | 3 | 20 | 75 | 78.77 | 20 | 37.57 | 60 | 15 | 60 | 37.43 | 24.39 |
| S13S1YMK30G25R20 | 3 | 20 | 75 | 78.77 | 20 | 37.57 | 60 | 15 | 60 | 37.43 | 24.39 |
| S13S1YMK35G25L25 | 3.5 | 25 | 87.5 | 91.81 | 22 | 42.98 | 70 | 17.5 | 70 | 46.77 | 28.41 |
| S13S1YMK35G25R25 | 3.5 | 25 | 87.5 | 91.81 | 22 | 42.98 | 70 | 17.5 | 70 | 46.77 | 28.41 |
| S13S1YMK40G25L28 | 4 | 28 | 100 | 104.7 | 25 | 49.14 | 80 | 20 | 80 | 55.29 | 32.55 |
| S13S1YMK40G25R28 | 4 | 28 | 100 | 104.7 | 25 | 49.14 | 80 | 20 | 80 | 55.29 | 32.55 |
| S13S1YMK50G25L28 | 5 | 28 | 125 | 130.86 | 30 | 60.59 | 100 | 25 | 100 | 65.15 | 40.43 |
| S13S1YMK50G25R28 | 5 | 28 | 125 | 130.86 | 30 | 60.59 | 100 | 25 | 100 | 65.15 | 40.43 |
| No. of Teeth 30 | | | | | | | | | | | |
| S13S1YMK20G30L12 | 2 | 12 | 60 | 62.42 | 12 | 29.27 | 45 | 12.5 | 50 | 36.06 | 21.21 |
| S13S1YMK20G30R12 | 2 | 12 | 60 | 62.42 | 12 | 29.27 | 45 | 12.5 | 50 | 36.06 | 21.21 |
| S13S1YMK25G30L16 | 2.5 | 16 | 75 | 78.04 | 15 | 36.08 | 60 | 17 | 62 | 47.57 | 26.02 |
| S13S1YMK25G30R16 | 2.5 | 16 | 75 | 78.04 | 15 | 36.08 | 60 | 17 | 62 | 47.57 | 26.02 |
| S13S1YMK30G30L20 | 3 | 20 | 90 | 93.61 | 20 | 45.25 | 70 | 20 | 75 | 53.43 | 31.8 |
| S13S1YMK30G30R20 | 3 | 20 | 90 | 93.61 | 20 | 45.25 | 70 | 20 | 75 | 53.43 | 31.8 |
| S13S1YMK35G30L25 | 3.5 | 25 | 105 | 109.21 | 22 | 49.4 | 90 | 25 | 85 | 67.77 | 34.6 |
| S13S1YMK35G30R25 | 3.5 | 25 | 105 | 109.21 | 22 | 49.4 | 90 | 25 | 85 | 67.77 | 34.6 |
| S13S1YMK40G30L28 | 4 | 28 | 120 | 124.71 | 25 | 54.28 | 100 | 25 | 95 | 79.29 | 37.35 |
| S13S1YMK40G30R28 | 4 | 28 | 120 | 124.71 | 25 | 54.28 | 100 | 25 | 95 | 79.29 | 37.35 |

NOTE: R or L in catalog number indicates right- or left-hand direction of helix.

* A set of spiral miter gears must be identical in module and number of teeth, but opposite in spiral hands.

ISO CLASS 8
MODULE 0.5, 0.8 & 1
20° PRESSURE ANGLE

PHONE: 516.328.3300 • FAX: 516.326.8827 • WWW.SDP-SI.COM



QUALITY CLASS

MATERIAL:
Brass or Steel

SPECIFICATIONS:
Straight Tooth sold as each
35° Spiral Tooth sold as matched sets only

Bore Tolerance: 3 & 4 mm +0.014/0 (H8)
5 & 6 mm +0.018/0 (H8)
6 mm +0.012/0 (H7)
8 mm +0.015/0 (H7)

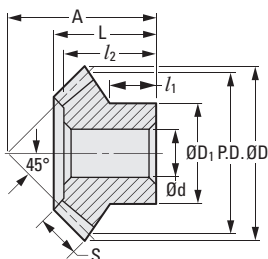


Fig. 1

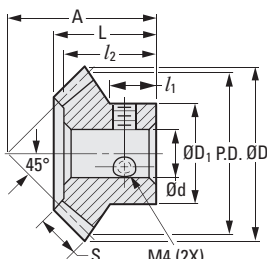


Fig. 2

M4 (2X)
SET SCREWS AT 120°
SEE NOTE BELOW

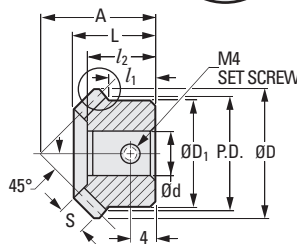


Fig. 3

METRIC COMPONENT

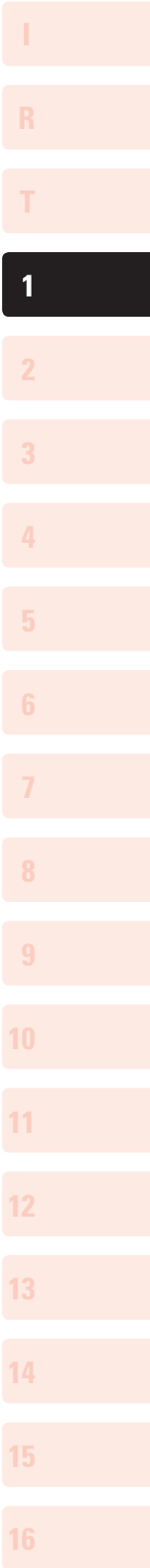
| Catalog Number Straight Tooth | Mod. | Fig. No. | No. of Teeth | P.D. | D Dia. | d Bore | S Face Width | L Lngth. | D ₁ Hub Dia. | I ₁ Hub Proj. | A | I ₂ |
|----------------------------------|------|----------|--------------|------|--------|--------|--------------|----------|-------------------------|--------------------------|----|----------------|
| Brass - Sold as each | | | | | | | | | | | | |
| A 1B 4MYK05020 | 0.5 | 1 | 20 | 10 | 10.71 | 3 (H8) | 2.5 | 8 | 8 | 5 | 11 | 7 |
| * A 1B 4MYK05025S | 0.5 | 2 | 25 | 12.5 | 13.21 | 4 (H8) | 3.0 | 8.11 | 11 | 5 | 12 | 7 |
| * A 1B 4MYK05030S | 0.5 | 2 | 30 | 15 | 15.71 | 4 (H8) | 3.5 | 9.21 | 12 | 5 | 14 | 8 |
| A 1B 4MYK08020 | 0.8 | 1 | 20 | 16 | 17.13 | 5 (H8) | 3.7 | 11 | 12 | 6 | 16 | 10 |
| * A 1B 4MYK08025S | 0.8 | 2 | 25 | 20 | 21.13 | 5 (H8) | 4.7 | 11.67 | 16 | 6 | 18 | 10.5 |
| A 1B 4MYK08030S | 0.8 | 2 | 30 | 24 | 25.13 | 6 (H8) | 5.6 | 12.34 | 18 | 6 | 20 | 11 |
| A 1B 4MYK10020S | 1 | 2 | 20 | 20 | 21.41 | 6 (H8) | 4.3 | 14.53 | 16 | 9 | 21 | 13 |
| A 1B 4MYK10025S | 1 | 2 | 25 | 25 | 26.41 | 6 (H8) | 5.3 | 14.70 | 20 | 8 | 23 | 13 |
| ** A 1B 4MYK10030S | 1 | 2 | 30 | 30 | 31.41 | 8 (H8) | 6.2 | 15.89 | 22 | 8.9 | 26 | 14.5 |
| Steel - Sold as each | | | | | | | | | | | | |
| A 1C 4MYK05020 | 0.5 | 1 | 20 | 10 | 10.71 | 3 (H8) | 2.5 | 8 | 8 | 5 | 11 | 7 |
| * A 1C 4MYK05025S | 0.5 | 2 | 25 | 12.5 | 13.21 | 4 (H8) | 3.0 | 8.11 | 11 | 5 | 12 | 7 |
| A 1C 4MYK05030 | 0.5 | 1 | 30 | 15 | 15.71 | 4 (H8) | 3.5 | 9.21 | 12 | 5 | 14 | 8 |
| A 1C 4MYK08020 | 0.8 | 1 | 20 | 16 | 17.13 | 5 (H7) | 3.7 | 11 | 12 | 6 | 16 | 10 |
| A 1C 4MYK08025 | 0.8 | 1 | 25 | 20 | 21.13 | 5 (H7) | 4.7 | 11.67 | 16 | 6 | 18 | 10.5 |
| A 1C 4MYK08030 | 0.8 | 1 | 30 | 24 | 25.13 | 6 (H7) | 5.6 | 12.34 | 18 | 6 | 20 | 11 |
| A 1C 4MYK10020A | 1 | 1 | 20 | 20 | 21.41 | 6 (H7) | 4.3 | 7.53 | 16 | 2 | 14 | 6 |
| A 1C44MYK10020A | 1 | 1 | 20 | 20 | 21.41 | 6 (H7) | 4.3 | 14.53 | 16 | 9 | 21 | 13 |

NOTE: * M3 Set Screw; ** M5 Set Screw

| Catalog Number 35° Spiral Tooth | Mod. | Fig. No. | No. of Teeth | P.D. | D Dia. | d Bore | S Face Width | L Lngth. | D ₁ Hub Dia. | I ₁ Hub Proj. | A | I ₂ |
|-------------------------------------|------|----------|--------------|------|--------|--------|--------------|----------|-------------------------|--------------------------|----|----------------|
| Steel - Sold as matched sets | | | | | | | | | | | | |
| Δ A 1C44MYK10020S | 1 | 3 | 20 | 20 | 21.12 | 8 (H7) | 4.5 | 13.43 | 16 | 8 | 20 | 12 |
| A 1C44MYK10020SR | 1 | 1 | 20 | 20 | 21.12 | 6 (H7) | 4.5 | 14.43 | 16 | 9 | 21 | 13 |

Δ Induction Hardened and Ground.

11.28.12 JF



35° SPIRAL MITER GEARS • MODULE 1.25 TO 2.25

SDP/SI

ISO CLASS 8
MODULE 1.25, 1.5, 2 & 2.25
20° PRESSURE ANGLE

PHONE: 516.328.3300 • FAX: 516.326.8827 • WWW.SDP-SI.COM



0 10

QUALITY CLASS

> MATERIAL:

Steel

> SPECIFICATIONS:

Sold as matched sets only
With or Without Keyway

With Keyway *

| Catalog Number | w | t |
|-----------------|---|-----|
| A 1C44MYK15020S | 4 | 1.8 |
| A 1C44MYK20020S | 5 | 2.3 |
| A 1C44MYK22020S | 5 | 2.3 |

Bore Tolerance: 10 mm +0.015/0
12, 14, 16 mm +0.018/0

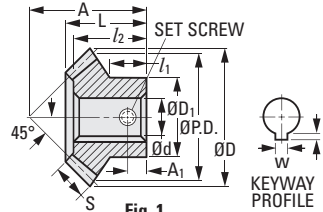


Fig. 1

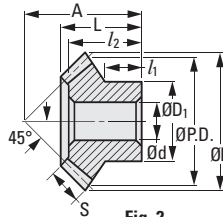


Fig. 2

METRIC COMPONENT

| Catalog Number | Fig. No | No. of Teeth | P.D. | D Dia. | d Bore H7 | S Face Width | L Lgth. | D ₁ Hub Dia. | l ₁ Hub Proj. | A | l ₂ | A ₁ | Set Screw |
|---|---------|--------------|------|--------|-----------|--------------|---------|-------------------------|--------------------------|----|----------------|----------------|-----------|
| Module 1.25 Without Keyway - Sold as matched set | | | | | | | | | | | | | |
| A 1C 4MYK12020S | 1 | 20 | 25 | 26.42 | 10 | 6 | 17.13 | 20 | 10 | 25 | 15.5 | 5 | M4 |
| Module 1.5 - Sold as matched sets | | | | | | | | | | | | | |
| A 1C 4MYK15020SR | 2 | 20 | 30 | 31.85 | 10 | 7 | 18.49 | 24 | 10 | 28 | 16.5 | — | — |
| A 1C 4MYKW15020S | 2 | 20 | 30 | 31.85 | 10 | 7 | 11.44 | 24 | 3 | 21 | 9.5 | — | — |
| * A 1C44MYK15020S | 1 | 20 | 30 | 31.85 | 12 | 7 | 20.44 | 24 | 12 | 30 | 18.5 | 6 | M5 |
| Module 2 - Sold as matched sets | | | | | | | | | | | | | |
| A 1C 4MYK20020S | 2 | 20 | 40 | 42.28 | 12 | 9 | 24.16 | 34 | 14 | 37 | 21 | — | — |
| A 1C 4MYKW20020S | 2 | 20 | 40 | 42.28 | 12 | 9 | 15.16 | 34 | 5 | 28 | 12 | — | — |
| * A 1C44MYK20020S | 1 | 20 | 40 | 42.28 | 14 | 9 | 27.16 | 32 | 16 | 40 | 24 | 8 | M5 |
| Module 2.25 - Sold as matched set | | | | | | | | | | | | | |
| * A 1C44MYK22020S | 1 | 20 | 45 | 47.73 | 16 | 10 | 30.39 | 36 | 18 | 45 | 27.5 | 9 | M6 |

ISO CLASS 8
 MODULE 1.5, 2, 2.5, 2.75 & 3
 20° PRESSURE ANGLE

PHONE: 516.328.3300 • FAX: 516.326.8827 • WWW.SDP-SI.COM



QUALITY CLASS

► **MATERIAL:**
 Steel

► **SPECIFICATIONS:**
 Sold as each
 With or Without Keyway

With Keyway *

| Catalog Number | w | t |
|------------------|---|-----|
| A 1C 4MYK25020A | 6 | 2.8 |
| A 1C44MYKW25020A | 6 | 2.8 |
| A 1C 4MYK27020A | 6 | 2.8 |
| A 1C 4MYKW30020A | 6 | 2.8 |
| A 1C44MYKW30020A | 8 | 3.3 |

Bore Tolerance: 10 mm +0.015/0
 12, 14, 16 & 18 mm +0.018/0
 20, 22 & 25 mm +0.021/0

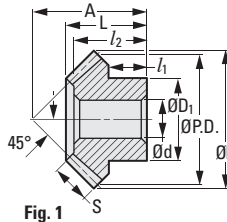


Fig. 1

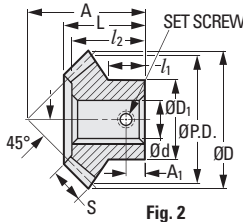
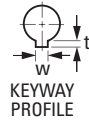


Fig. 2



KEYWAY PROFILE

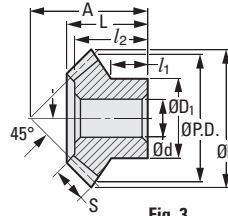


Fig. 3

METRIC COMPONENT

| Catalog Number | Fig. No | No. of Teeth | P.D. | D Dia. | d Bore H7 | S Face Width | L Lgth. | D ₁ Hub Dia. | I ₁ Hub Proj. | A | l ₂ | A ₁ | Set Screw |
|--------------------|---------|--------------|------|--------|-----------|--------------|---------|-------------------------|--------------------------|----|----------------|----------------|-----------|
| Module 1.5 | | | | | | | | | | | | | |
| A 1C 4MYK15020R | 3 | 20 | 30 | 32.12 | 10 | 6 | 11 | 24 | 3 | 21 | 9 | - | - |
| A 1C44MYK15020R | 3 | 20 | 30 | 32.12 | 10 | 6.8 | 18.53 | 24 | 10 | 28 | 16.5 | - | - |
| A 1C 4MYK15030R | 1 | 30 | 45 | 47.12 | 12 | 9.3 | 14.83 | 33 | 4.34 | 30 | 12.5 | - | - |
| A 1C44MYK15030R | 1 | 30 | 45 | 47.12 | 12 | 9.3 | 22.83 | 33 | 12.34 | 38 | 21 | - | - |
| Module 2 | | | | | | | | | | | | | |
| A 1C 4MYK20020R | 3 | 20 | 40 | 42.83 | 12 | 8.5 | 15 | 34 | 5 | 28 | 12 | - | - |
| A 1C44MYK20020R | 3 | 20 | 40 | 42.83 | 12 | 8.5 | 24 | 34 | 14 | 37 | 21 | - | - |
| A 1C 4MYK20030R | 1 | 30 | 60 | 62.83 | 16 | 12.4 | 19.77 | 44 | 5.79 | 40 | 17 | - | - |
| A 1C44MYK20030R | 1 | 30 | 60 | 62.83 | 16 | 12.4 | 30.77 | 44 | 16.79 | 51 | 28 | - | - |
| Module 2.5 | | | | | | | | | | | | | |
| * A 1C 4MYK25020A | 2 | 20 | 50 | 53.54 | 18 | 10.3 | 33.54 | 40 | 20 | 50 | 30 | 10 | M6 |
| A 1C 4MYKW25020 | 3 | 20 | 50 | 53.54 | 14 | 11.1 | 19.06 | 42 | 6 | 35 | 15 | - | - |
| A 1C44MYK25020 | 3 | 20 | 50 | 53.54 | 14 | 11.1 | 32.06 | 42 | 19 | 48 | 28 | - | - |
| * A 1C44MYKW25020A | 2 | 20 | 50 | 53.54 | 18 | 11.1 | 32 | 42 | 19 | 48 | 28 | - | - |
| A 1C 4MYK25030 | 3 | 30 | 75 | 78.54 | 16 | 15.5 | 24.71 | 55 | 7.5 | 50 | 21.5 | - | - |
| A 1C44MYK25030 | 3 | 30 | 75 | 78.54 | 18 | 15.5 | 37.71 | 55 | 20.5 | 63 | 34.5 | - | - |
| Module 2.75 | | | | | | | | | | | | | |
| * A 1C 4MYK27020A | 2 | 20 | 55 | 58.89 | 20 | 10.8 | 35.54 | 44 | 21 | 54 | 32 | 10.5 | M6 |
| Module 3 | | | | | | | | | | | | | |
| A 1C 4MYK30020 | 3 | 20 | 60 | 64.24 | 16 | 13.6 | 39.06 | 50 | 23 | 58 | 35 | - | - |
| * A 1C 4MYKW30020A | 2 | 20 | 60 | 64.24 | 22 | 12 | 38.01 | 48 | 22 | 58 | 34 | 11 | M6 |
| * A 1C44MYKW30020A | 2 | 20 | 60 | 64.24 | 25 | 12 | 38.01 | 48 | 22 | 58 | 34 | 11 | M8 |
| A 1C 4MYK30030 | 3 | 30 | 90 | 94.24 | 20 | 18.6 | 29.65 | 66 | 8.64 | 60 | 25 | - | - |
| A 1C44MYK30030 | 3 | 30 | 90 | 94.24 | 22 | 18.6 | 44.65 | 66 | 23.64 | 75 | 40 | - | - |

STRAIGHT MITER GEARS • MODULE 0.6 TO 1.5

SDP/SI

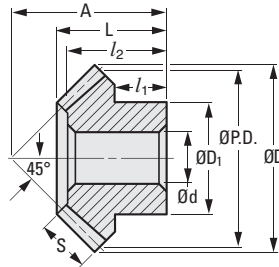
ISO CLASS 8
MODULE 0.6, 1 & 1.5
20° PRESSURE ANGLE

PHONE: 516.328.3300 • FAX: 516.326.8827 • WWW.SDP-SI.COM



QUALITY CLASS

> **MATERIAL:**
Aluminum, Brass, Steel or Stainless Steel



METRIC COMPONENT

| Catalog Number | | | Material |
|----------------|---------------|---------------|--------------------------|
| Module 0.6 | Module 1 | Module 1.5 | |
| A 1A 4MY06020 | A 1A 4MY10020 | A 1A 4MY15020 | Aluminum 2024 T4 |
| A 1B 4MY06020 | A 1B 4MY10020 | A 1B 4MY15020 | Brass ASTM B-16 |
| A 1C 4MY06020 | A 1C 4MY10020 | A 1C 4MY15020 | Steel SAE 4140 |
| A 1X 4MY06020 | A 1X 4MY10020 | A 1X 4MY15020 | Stainless Steel AISI 416 |

| Module | No. of Teeth | P.D. | D Dia. | d Bore H8 | d Tolerance | S Face Width | L Length | D ₁ Hub Dia. | l ₁ Hub Proj. | A | l ₂ |
|--------|--------------|------|--------|-----------|-------------|--------------|----------|-------------------------|--------------------------|----|----------------|
| 0.6 | 20 | 12 | 12.8 | 4 | +0.018/0 | 3 | 6.4 | 7 | 3 | 10 | 5.5 |
| 1 | 20 | 20 | 21.4 | 8 | +0.022/0 | 5 | 10.9 | 12 | 5 | 17 | 9.5 |
| 1.5 | 20 | 30 | *31.5 | 12 | +0.027/0 | 7 | 15.5 | 18 | 7 | 25 | 13 |

* Truncated O.D., Actual O.D. = 32.1

MODULE 0.5, 0.8, 1, 1.5, 2, 2.5, 3, & 3.5
20° PRESSURE ANGLE

PHONE: 516.328.3300 • FAX: 516.326.8827 • WWW.SDP-SI.COM

► MATERIAL:
Acetal

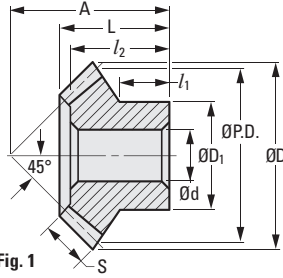


Fig. 1

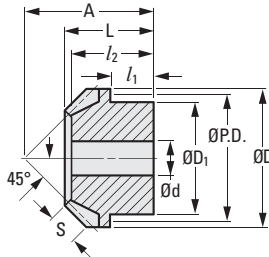


Fig. 2

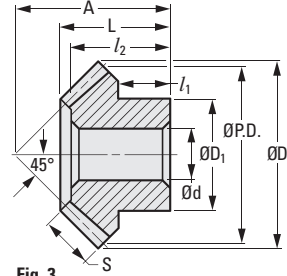


Fig. 3

METRIC COMPONENT

| Catalog Number | Mod. | P.D. | D Dia. | d Bore | S Face Width | L Length | D ₁ Hub Dia. | l ₁ Hub Proj. | A | l ₂ |
|------------------------|------|------|--------|--------|--------------|----------|-------------------------|--------------------------|------|----------------|
| Fig. 1 16 Teeth | | | | | | | | | | |
| A 1M 4MYZ05 | 0.5 | 8 | 8.7 | 3 | 2 | 8 | 7 | 6 | 10.5 | 8 |
| A 1M 4MYZ10 | 1 | 16 | 17.6 | 5 | 4.7 | 13.6 | 12 | 8 | 18.4 | — |
| A 1M 4MYZ15 | 1.5 | 24 | 26.4 | 8 | 7 | 18.4 | 18.5 | 10 | 25.8 | 16.2 |
| A 1M 4MYZ20A | 2 | 32 | 34.9 | 8 | 10 | 21.2 | 21.9 | 9.6 | 30.4 | 18.3 |
| A 1M 4MYZ20 | 2 | 32 | 34.9 | 10 | 10 | 21.2 | 21.9 | 9.6 | 30.4 | 18.3 |
| A 1M 4MYZ25A | 2.5 | 40 | 43.5 | 8 | 12.3 | 25.5 | 25.2 | 11.5 | 37 | 22.9 |
| A 1M 4MYZ25 | 2.5 | 40 | 43.5 | 12 | 12.3 | 25.5 | 25.2 | 11.5 | 37 | 22.9 |
| A 1M 4MYZ30A | 3 | 48 | 52.3 | 14 | 13.8 | 29.2 | 28.8 | 13.2 | 43 | 25.8 |
| A 1M 4MYZ30B | 3 | 48 | 52.3 | 15 | 13.8 | 29.2 | 28.8 | 13.2 | 43 | 25.8 |
| A 1M 4MYZ30C | 3 | 48 | 52.3 | 17 | 13.8 | 29.2 | 28.8 | 13.2 | 43 | 25.8 |
| A 1M 4MYZ30 | 3 | 48 | 52.3 | 20 | 13.8 | 29.2 | 28.8 | 13.2 | 43 | 25.8 |
| A 1M 4MYZ35 | 3.5 | 56 | 61.4 | 18 | 15.8 | 33.1 | 33.3 | 14.4 | 49.5 | 28.1 |
| A 1M 4MYZ35A | 3.5 | 56 | 61.4 | 20 | 15.8 | 33.1 | 33.3 | 14.4 | 49.5 | 28.1 |
| Fig. 2 20 Teeth | | | | | | | | | | |
| A 1M 4MYH05 | 0.5 | 10 | 10.7 | 3 | 2.5 | 8 | 8 | 4 | 11 | 7 |
| A 1M 4MYH08 | 0.8 | 16 | 17.1 | 5 | 3.5 | 10.8 | 12 | 5 | 16 | 10 |
| A 1M 4MYH10 | 1 | 20 | 21.4 | 6 | 4.5 | 14.6 | 16 | 7 | 21 | 13 |
| A 1M 4MYH15 | 1.5 | 30 | 32.1 | 8 | 7 | 20.6 | 20 | 10 | 30 | 19 |
| Fig. 3 30 Teeth | | | | | | | | | | |
| A 1M 4MYZ10A | 1 | 30 | 31.4 | 6 | 7.2 | 15.3 | 15 | 7.5 | 24.8 | 12.9 |

- I
- R
- T
- 1**
- 2
- 3
- 4
- 5
- 6
- 7
- 8
- 9
- 10
- 11
- 12
- 13
- 14
- 15
- A

I

STRAIGHT MITER GEARS • MODULE 1 TO 3.5

SDP/SI

R

MODULE 1, 1.5, 2, 2.5, 3, & 3.5
20° PRESSURE ANGLE

PHONE: 516.328.3300 • FAX: 516.326.8827 • WWW.SDP-SI.COM

T

► MATERIAL:
Die Cast Zinc



1



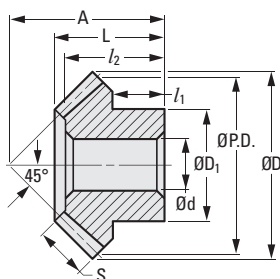
2

3

4

5

6



7

METRIC COMPONENT

8

| Catalog Number | Mod. | P.D. | D Dia. | d Bore | S Face Width | L Length | D ₁ Hub Dia. | l ₁ Hub Proj. | A | l ₂ |
|-----------------|------|------|--------|--------|--------------|----------|-------------------------|--------------------------|------|----------------|
| 16 Teeth | | | | | | | | | | |
| A 1D 4MYZ10020 | 1 | 16 | 17.3 | 6 | 4.5 | 13.1 | 12 | 7.5 | 17.7 | 13.1 |
| A 1D 4MYZ15020 | 1.5 | 24 | 26 | 8 | 6.7 | 18.6 | 19 | 10.8 | 25.7 | 17 |
| A 1D 4MYZ20020 | 2 | 32 | 34.6 | 10 | 9.6 | 21.3 | 23 | 10 | 30 | 19.2 |
| A 1D 4MYZ25020 | 2.5 | 40 | 43.3 | 12 | 12.3 | 25.5 | 26 | 12 | 36 | 22.9 |
| A 1D 4MYZ30020 | 3 | 48 | 52.3 | 14 | 14 | 29.3 | 30 | 13 | 42.5 | 26 |
| A 1D 4MYZ35020 | 3.5 | 56 | 61.5 | 16 | 15.5 | 33.2 | 34 | 14 | 49.4 | 29.1 |

9

10

11

12

13

14

15

A

ISO CLASS 6

35° SPIRAL ANGLE

MODULE 2, 2.5, 3 & 4

20° PRESSURE ANGLE

PHONE: 516.328.3300 • FAX: 516.326.8827 • WWW.SDP-SI.COM

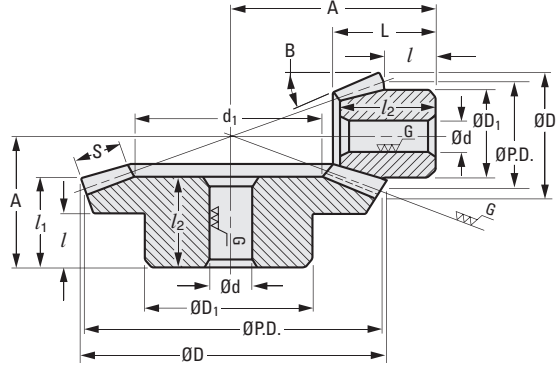


> MATERIAL:

AISI 1045 Steel, Tooth Surfaces
Induction Hardened to HRC 48...53

> FINISH:

Black Oxide, except Ground Bore
and Tooth Surfaces



METRIC COMPONENT

| Catalog Number | Mod. | No. of Teeth | d Bore H7 | P.D. | D Dia. | S Face Width | L Length | D ₁ Hub Dia. | l Hub Proj. | A Mig. Dist. | d ₁ | l ₁ Crown to Back | l ₂ Lngth. of Bore | B Face Angle |
|------------------|------|--------------|-----------|-------|--------|--------------|----------|-------------------------|-------------|--------------|----------------|------------------------------|-------------------------------|--------------|
| Ratio 2:3 | | | | | | | | | | | | | | |
| S13S2YMK20G20L10 | 2 | 20 | 10 | 40 | 43.55 | 11 | 24.91 | 30 | 11.67 | 45 | 21.34 | 16.18 | 22 | 37° 40' |
| S13S2YMK20G30R12 | 2 | 30 | 12 | 60 | 61.6 | 11 | 26.6 | 35 | 15 | 40 | 37.56 | 21.2 | 23 | 60° 43' |
| S13S2YMK25G20L12 | 2.5 | 20 | 12 | 50 | 54.53 | 15 | 30.88 | 40 | 14.17 | 55 | 27.42 | 18.98 | 28 | 37° 41' |
| S13S2YMK25G30R15 | 2.5 | 30 | 15 | 75 | 77.09 | 15 | 33.86 | 45 | 18 | 50 | 45.61 | 26.56 | 30 | 61° 01' |
| S13S2YMK30G20L16 | 3 | 20 | 16 | 60 | 65.58 | 17 | 40.17 | 45 | 20 | 70 | 34.71 | 26.86 | 37 | 38° 45' |
| S13S2YMK30G30R16 | 3 | 30 | 16 | 90 | 92.21 | 17 | 35.34 | 50 | 17 | 55 | 57.14 | 26.66 | 31 | 59° 20' |
| S13S2YMK40G20L20 | 4 | 20 | 20 | 80 | 87.34 | 20 | 48.17 | 60 | 23.33 | 90 | 46.89 | 32.45 | 43 | 38° 25' |
| S13S2YMK40G30R20 | 4 | 30 | 20 | 120 | 122.85 | 20 | 47.49 | 70 | 25 | 75 | 78.59 | 37.14 | 40 | 58° 52' |
| Ratio 1:2 | | | | | | | | | | | | | | |
| S13S3YMK20G20L12 | 2 | 20 | 12 | 40 | 44.1 | 15 | 34 | 32 | 18 | 60 | 21.11 | 21 | 32 | 29° 58' |
| S13S3YMK20G40R12 | 2 | 40 | 12 | 80 | 81 | 15 | 32.2 | 40 | 18 | 45 | 48.8 | 26 | 27 | 65° 20' |
| S13S3YMK25G20L12 | 2.5 | 20 | 12 | 50 | 55.2 | 20 | 43.61 | 40 | 22.5 | 75 | 20.53 | 26.3 | 40 | 30° 18' |
| S13S3YMK25G40R15 | 2.5 | 40 | 15 | 100 | 101.27 | 20 | 39.65 | 50 | 20 | 55 | 59.26 | 31.27 | 34 | 65° 50' |
| S13S3YMK30G20L16 | 3 | 20 | 16 | 60 | 66.07 | 22 | 50.63 | 50 | 27.5 | 90 | 29.63 | 31.52 | 47 | 29° 50' |
| S13S3YMK30G40R20 | 3 | 40 | 20 | 120 | 121.48 | 22 | 45.76 | 60 | 24 | 65 | 73.78 | 36.47 | 38 | 65° 03' |
| S13S3YMK40G20L20 | 4 | 20 | 20 | 80 | 88.5 | 28 | 66.24 | 60 | 35 | 120 | 42.8 | 42.12 | 62 | 30° 47' |
| S13S3YMK40G40R20 | 4 | 40 | 20 | 160 | 162.07 | 28 | 53.68 | 70 | 28 | 80 | 102.44 | 42.07 | 45 | 65° 30' |
| Ratio 1:3 | | | | | | | | | | | | | | |
| S13S4YMK20G15L10 | 2 | 15 | 10 | 30 | 34.78 | 15 | 29.66 | 24 | 14 | 60 | 19.15 | 15.8 | 29 | 22° 50' |
| S13S4YMK20G45R12 | 2 | 45 | 12 | 90 | 90.67 | 15 | 30.29 | 40 | 17 | 40 | 59.07 | 26.01 | 26 | 73° 25' |
| S13S4YMK25G15L12 | 2.5 | 15 | 12 | 37.5 | 43.36 | 20 | 38.27 | 30 | 17.5 | 75 | 20.48 | 19.73 | 37 | 22° 22' |
| S13S4YMK25G45L15 | 2.5 | 45 | 15 | 112.5 | 113.32 | 20 | 38.25 | 50 | 22 | 50 | 72.82 | 32.47 | 35 | 73° 13' |
| S13S4YMK30G15L15 | 3 | 15 | 15 | 45 | 52.08 | 23 | 44.98 | 38 | 21.33 | 90 | 28.52 | 23.68 | 44 | 22° 32' |
| S13S4YMK30G45L20 | 3 | 45 | 20 | 135 | 135.99 | 23 | 40.59 | 60 | 20 | 55 | 88.2 | 33.98 | 35 | 73° 18' |

NOTE: R or L in catalog number indicates right- or left-hand direction of helix.

- I
- R
- T
- 1
- 2
- 3
- 4
- 5
- 6
- 7
- 8
- 9
- 10
- 11
- 12
- 13
- 14
- 15
- A

ISO CLASS 8
MODULE 0.5, 0.8 & 1
20° PRESSURE ANGLE

PHONE: 516.328.3300 • FAX: 516.326.8827 • WWW.SDP-SI.COM



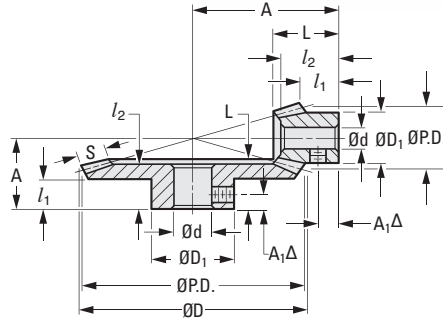
QUALITY CLASS

> MATERIAL:
Brass or Steel

> SPECIFICATIONS:

Brass Bore Tolerance: 3 mm +0.014/0
4, 5 & 6 mm +0.018/0

Steel Bore Tolerance: 6 mm +0.012/0
8 & 10 mm +0.015/0



Δ Only A 1C33MYK10020S and A 1C33MYK10040S have tapped holes with set screw

METRIC COMPONENT

| Catalog Number | Mod. | No. of Teeth | P.D. | D Dia. | d Bore H8 | S Face Width | L Length | D ₁ Hub Dia. | l ₁ Hub Proj. | A | l ₂ |
|------------------------|------|--------------|------|--------|-----------|--------------|----------|-------------------------|--------------------------|-------|----------------|
| Ratio 1:2 Brass | | | | | | | | | | | |
| A 1B 3MYK05020 | 0.5 | 20 | 10 | 10.89 | 3 | 3.2 | 8.54 | 8 | 5 | 15.52 | 8 |
| A 1B 3MYK05040 | 0.5 | 40 | 20 | 20.45 | 4 | 3.2 | 7.31 | 12 | 4 | 10.56 | 6.3 |
| A 1B 3MYK08020 | 0.8 | 20 | 16 | 17.43 | 5 | 4.5 | 10.79 | 12 | 5.5 | 22.5 | 10 |
| A 1B 3MYK08040 | 0.8 | 40 | 32 | 32.72 | 6 | 4.5 | 11.01 | 20 | 6 | 16.46 | 9.5 |

| Catalog Number | Mod. | No. of Teeth | P.D. | D Dia. | d Bore H7 | S Face Wdth. | L Lgth. | D ₁ Hub Dia. | l ₁ Hub Proj. | A | l ₂ | A ₁ | Set Screw ^Δ |
|------------------------|------|--------------|------|--------|-----------|--------------|---------|-------------------------|--------------------------|------|----------------|----------------|------------------------|
| Ratio 1:2 Steel | | | | | | | | | | | | | |
| A 1C 3MYK10020 | 1 | 20 | 20 | 21.79 | 6 | 5.7 | 15.03 | 16 | 8.6 | 29.6 | 14 | — | — |
| A 1C 3MYK10040 | 1 | 40 | 40 | 40.89 | 8 | 5.7 | 15.02 | 25 | 8 | 21.8 | 13 | — | — |
| A 1C33MYK10020S | 1 | 20 | 20 | 21.79 | 8 | 5.7 | 15.03 | 16 | 8.6 | 29.6 | 14 | 4 | M4 |
| A 1C33MYK10040S | 1 | 40 | 40 | 40.89 | 10 | 5.7 | 15.02 | 25 | 8 | 21.8 | 13 | 4 | M5 |
| Ratio 1:3 Steel | | | | | | | | | | | | | |
| A 1C 3MYK10015 | 1 | 15 | 15 | 17.67 | 6 | 6.7 | 15.16 | 13 | 8.17 | 31 | 14.4 | — | — |
| A 1C 3MYK10045 | 1 | 45 | 45 | 45.37 | 10 | 6.7 | 14.97 | 25 | 8 | 20 | 12.9 | — | — |

ISO CLASS 8

MODULE 1.5, 2, 2.5 & 3

20° PRESSURE ANGLE

PHONE: 516.328.3300 • FAX: 516.326.8827 • WWW.SDP-SI.COM



QUALITY CLASS

> MATERIAL:

Without Keyway – Steel

With Keyway – AISI 1045 Steel,

Tooth Surfaces Induction Hardened to HRC 48...53

> FINISH:

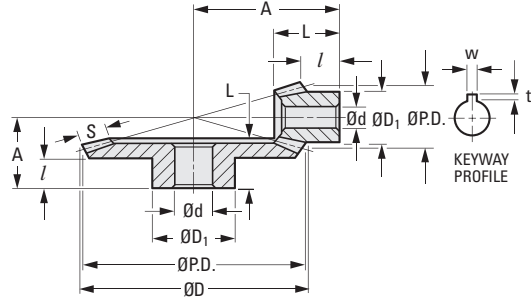
With Keyway – Black Oxide, Except Ground Bore and Tooth Surfaces

> SPECIFICATIONS:

Bore Tolerance (H8): 8 & 10 mm +0.022/0

12, 14, 15, 16 & 18 mm +0.027/0

25 mm +0.033/0



METRIC COMPONENT

| Catalog Number | Mod. | No. of Teeth | P.D. | D Dia. | d Bore H8 | S Face Width | L Length | D ₁ Hub Dia. | l Hub Proj. | A |
|---------------------------------|------|--------------|-------|--------|-----------|--------------|----------|-------------------------|-------------|-------|
| Ratio 1:2 Without Keyway | | | | | | | | | | |
| A 1C 3MYK15018 | 1.5 | 18 | 27 | 29.68 | 8 | 9.8 | 22.96 | 22 | 12.5 | 40.74 |
| A 1C 3MYK15036 | 1.5 | 36 | 54 | 55.34 | 10 | 9.8 | 18.54 | 30 | 10 | 26.75 |
| * A 1C 3MYK20018H | 2 | 18 | 36 | 39.58 | 10 | 12.6 | 29 | 28 | 15.12 | 53.12 |
| A 1C 3MYK20036 | 2 | 36 | 72 | 73.79 | 12 | 12.6 | 24.07 | 36 | 13 | 35.21 |
| A 1C 3MYK25018 | 2.5 | 18 | 45 | 49.47 | 12 | 16.7 | 34.97 | 36 | 17 | 64.29 |
| A 1C 3MYK25036 | 2.5 | 36 | 90 | 92.24 | 14 | 16.7 | 29.01 | 50 | 15 | 42.55 |
| A 1C 3MYK30018A | 3 | 18 | 54 | 59.37 | 15 | 20 | 40.06 | 41 | 18 | 75.27 |
| * A 1C 3MYK30036H | 3 | 36 | 108 | 110.68 | 16 | 20 | 36.06 | 60 | 19 | 52.32 |
| Ratio 1:3 Without Keyway | | | | | | | | | | |
| A 1C 3MYK15015 | 1.5 | 15 | 22.5 | 26.51 | 8 | 10.1 | 22.29 | 19.5 | 11.78 | 46 |
| A 1C 3MYK15045 | 1.5 | 45 | 67.5 | 68.06 | 12 | 10.1 | 22.47 | 37.5 | 12 | 30 |
| A 1C 3MYK25015 | 2.5 | 15 | 37.5 | 44.18 | 10 | 19 | 40.41 | 32 | 20.8 | 77.93 |
| A 1C 3MYK25045 | 2.5 | 45 | 112.5 | 113.44 | 16 | 19 | 28.74 | 60 | 14 | 40.67 |
| A 1C 3MYK30015 | 3 | 15 | 45 | 53.02 | 12 | 23 | 44.53 | 36 | 20.3 | 89.36 |
| A 1C 3MYK30045 | 3 | 45 | 135 | 136.12 | 18 | 23 | 36.69 | 70 | 19 | 50.95 |

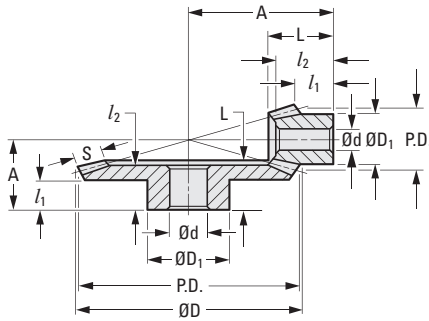
* Catalog Numbers ending in **H** are induction hardened.

| Catalog Number | Mod. | No. of Teeth | P.D. | D Dia. | d Bore H8 | S Face Wdth. | L Lgth. | D ₁ Hub Dia. | l Hub Proj. | A | w | t |
|------------------------------|------|--------------|------|--------|-----------|--------------|---------|-------------------------|-------------|-------|---|-----|
| Ratio 1:2 With Keyway | | | | | | | | | | | | |
| A 1C33MYK15018H | 1.5 | 18 | 27 | 29.68 | 10 | 9.8 | 22.96 | 22 | 12.5 | 40.74 | 3 | 1.4 |
| A 1C33MYK15036H | 1.5 | 36 | 54 | 55.34 | 15 | 9.8 | 18.54 | 30 | 10 | 26.75 | 5 | 2.3 |
| A 1C33MYK20018H | 2 | 18 | 36 | 39.58 | 12 | 12.6 | 29 | 28 | 15.12 | 53.12 | 4 | 1.8 |
| A 1C33MYK20036H | 2 | 36 | 72 | 73.79 | 18 | 12.6 | 24.07 | 36 | 13 | 35.21 | 6 | 2.8 |
| A 1C33MYK30018H | 3 | 18 | 54 | 59.37 | 16 | 13.4 | 40.06 | 41 | 18 | 75.27 | 5 | 2.3 |
| A 1C33MYK30036H | 3 | 36 | 108 | 110.68 | 25 | 13.4 | 36.06 | 60 | 19 | 52.32 | 8 | 3.3 |
| Ratio 1:3 With Keyway | | | | | | | | | | | | |
| A 1C33MYK30015H | 3 | 15 | 45 | 53.02 | 16 | 23 | 44.53 | 36 | 20.3 | 89.36 | 5 | 2.3 |
| A 1C33MYK30045H | 3 | 45 | 135 | 136.12 | 25 | 23 | 36.69 | 70 | 19 | 50.95 | 8 | 3.3 |

MODULE 0.5, 0.8, 1, 1.5, 2, 2.5, & 3
20° PRESSURE ANGLE

PHONE: 516.328.3300 • FAX: 516.326.8827 • WWW.SDP-SI.COM

› MATERIAL:
Acetal



METRIC COMPONENT

| Catalog Number | Mod. | No. of Teeth | P.D. | D Dia. | d Bore | S Face Width | L Length | D ₁ Hub Dia. | l Hub Proj. | A | l ₂ |
|--------------------|------|--------------|------|--------|--------|--------------|----------|-------------------------|-------------|------|----------------|
| Ratio 1:1.5 | | | | | | | | | | | |
| A 1M 3MYZ1516 | 1.5 | 16 | 24 | 26 | 8 | 8 | 18.8 | 20 | 10.8 | 30 | 17.8 |
| A 1M 3MYZ1524 | 1.5 | 24 | 36 | 37 | 10 | 8 | 19.6 | 24 | 11.3 | 26.6 | 18.2 |
| Ratio 1:2 | | | | | | | | | | | |
| A 1M 3MYH0520 | 0.5 | 20 | 10 | 11.2 | 3 | 2.5 | 8.5 | 8 | 4 | 16 | 8.5 |
| A 1M 3MYH0540 | 0.5 | 40 | 20 | 20.3 | 4 | 2.5 | 8.3 | 12 | 4 | 12 | 7 |
| A 1M 3MYH0820 | 0.8 | 20 | 16 | 17.9 | 4 | 3.5 | 11.5 | 12 | 5 | 24 | 11.5 |
| A 1M 3MYH0840 | 0.8 | 40 | 32 | 32.5 | 5 | 3.5 | 11.9 | 15 | 6 | 18 | 10 |
| A 1M 3MYH1020 | 1 | 20 | 20 | 22.4 | 5 | 4.5 | 14.5 | 15 | 7 | 30 | 14.5 |
| A 1M 3MYH1040 | 1 | 40 | 40 | 40.6 | 6 | 4.5 | 14.5 | 18 | 7 | 22 | 12 |
| A 1M 3MYZ1015 | 1 | 15 | 15 | 16.8 | 5 | 6.6 | 17 | 12.2 | 10.6 | 26.4 | 17 |
| A 1M 3MYZ1030 | 1 | 30 | 30 | 31.1 | 8 | 6.6 | 16.2 | 18 | 9.1 | 20.9 | 14.8 |
| A 1M 3MYZ1515 | 1.5 | 15 | 22.5 | 25.4 | 8 | 10.5 | 22.8 | 17 | 11.5 | 35.8 | 22.8 |
| A 1M 3MYZ1530 | 1.5 | 30 | 45 | 46.4 | 10 | 10.5 | 19.5 | 23.4 | 9.6 | 26.2 | 17.5 |
| A 1M 3MYZ2015 | 2 | 15 | 30 | 33.6 | 10 | 14.6 | 27 | 22.5 | 11.8 | 44.2 | 26 |
| A 1M 3MYZ2015A | 2 | 15 | 30 | 33.6 | 15 | 14.6 | 27 | 22.5 | 11.8 | 44.2 | 26 |
| A 1M 3MYZ2030A | 2 | 30 | 60 | 62.2 | 10 | 14.6 | 24.2 | 30.2 | 11.8 | 32.6 | 22.6 |
| A 1M 3MYZ2030 | 2 | 30 | 60 | 62.2 | 12 | 14.6 | 24.2 | 30.2 | 11.8 | 32.6 | 22.6 |
| A 1M 3MYZ2030B | 2 | 30 | 60 | 62.2 | 15 | 14.6 | 24.2 | 30.2 | 11.8 | 32.6 | 22.6 |
| A 1M 3MYZ2515 | 2.5 | 15 | 37.5 | 42 | 12 | 17.3 | 31.2 | 26.5 | 13 | 53.3 | 29.6 |
| A 1M 3MYZ2530A | 2.5 | 30 | 75 | 77.3 | 14 | 17.3 | 29.5 | 36.1 | 15 | 40.5 | 27.5 |
| A 1M 3MYZ2530 | 2.5 | 30 | 75 | 77.3 | 16 | 17.3 | 29.5 | 36.1 | 15 | 40.5 | 27.5 |
| A 1M 3MYZ3015 | 3 | 15 | 45 | 50.3 | 14 | 20.5 | 36.3 | 31.2 | 14.8 | 63.3 | 35 |
| A 1M 3MYZ3030 | 3 | 30 | 90 | 93 | 18 | 20.5 | 37 | 45 | 19 | 49.5 | 34.2 |
| A 1M 3MYZ3030A | 3 | 30 | 90 | 93 | 35 | 20.5 | 37 | 45 | 19 | 49.5 | 34.2 |

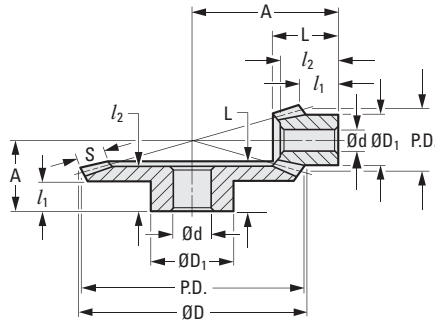
Continued on the next page



MODULE 1, 1.5, 2, 2.5
20° PRESSURE ANGLE

PHONE: 516.328.3300 • FAX: 516.326.8827 • WWW.SDP-SI.COM

› MATERIAL:
Acetal



METRIC COMPONENT

| Catalog Number | Mod. | No. of Teeth | P.D. | D Dia. | d Bore | S Face Width | L Length | D ₁ Hub Dia. | l Hub Proj. | A | l ₂ |
|------------------|------|--------------|------|--------|--------|--------------|----------|-------------------------|-------------|------|----------------|
| Ratio 1:3 | | | | | | | | | | | |
| A 1M33MYZ1015A | 1 | 15 | 15 | 16.6 | 4 | 9.2 | 20.4 | 12.3 | 11 | 34.3 | — |
| A 1M33MYZ1015 | 1 | 15 | 15 | 16.6 | 5 | 9.2 | 20.4 | 12.3 | 11 | 34.3 | — |
| A 1M33MYZ1045 | 1 | 45 | 45 | 46.1 | 10 | 9.2 | 18.2 | 23.4 | 9.6 | 22.7 | 16.5 |
| A 1M33MYZ1045A | 1 | 45 | 45 | 46.1 | 12 | 9.2 | 18.2 | 23.4 | 9.6 | 22.7 | 16.5 |
| A 1M33MYZ1515 | 1.5 | 15 | 22.5 | 25.1 | 8 | 14 | 26.8 | 17.2 | 12.5 | 47.9 | — |
| A 1M33MYZ1545 | 1.5 | 45 | 67.5 | 68.8 | 12 | 14 | 23 | 30.4 | 11.5 | 29.4 | 21.5 |
| A 1M33MYZ2010 | 2 | 10 | 20 | 24 | 6 | 12.5 | 25 | 15.5 | 12 | 43.7 | — |
| A 1M33MYZ2030 | 2 | 30 | 60 | 61.7 | 12 | 12.5 | 22.5 | 30.3 | 11.5 | 28 | 19.8 |
| A 1M33MYZ2510 | 2.5 | 10 | 25 | 29.7 | 8 | 15.7 | 28.8 | 18.8 | 13 | 52.4 | — |
| A 1M33MYZ2530 | 2.5 | 30 | 75 | 77.2 | 18 | 15.7 | 29 | 36.1 | 15.5 | 35.7 | 25.2 |
| Ratio 1:4 | | | | | | | | | | | |
| A 1M 3MYZ1010 | 1 | 10 | 10 | 12 | 4 | 8.2 | 17.7 | 7.8 | 9.3 | 30.1 | — |
| A 1M 3MYZ1040 | 1 | 40 | 40 | 40.8 | 10 | 8.2 | 17 | 23.4 | 10.8 | 20.1 | 15.7 |
| A 1M 3MYZ1510 | 1.5 | 10 | 15 | 18 | 5 | 12.3 | 23.5 | 11.3 | 10.9 | 41.7 | — |
| A 1M 3MYZ1540 | 1.5 | 40 | 60 | 61.2 | 12 | 12.3 | 21.7 | 30.4 | 12.8 | 26.2 | 20 |
| A 1M 3MYZ2010 | 2 | 10 | 20 | 23.8 | 6 | 16.3 | 28.9 | 14.3 | 12.8 | 54 | — |
| A 1M 3MYZ2040A | 2 | 40 | 80 | 81.5 | 10 | 16.3 | 27 | 36 | 16.6 | 32.5 | 24.7 |
| A 1M 3MYZ2040 | 2 | 40 | 80 | 81.5 | 18 | 16.3 | 27 | 36 | 16.6 | 32.5 | 24.7 |
| Ratio 1:5 | | | | | | | | | | | |
| A 1M 3MYZ1012 | 1 | 12 | 12 | 13.7 | 4 | 9.5 | 20.3 | 9.5 | 10 | 40.5 | — |
| A 1M 3MYZ1060 | 1 | 60 | 60 | 60.4 | 10 | 9.5 | 17.4 | 20.5 | 11 | 21 | 15.5 |

Continued from the previous page

