

ZERO-BACKLASH ARMATURE  
FOR IN-LINE LOADS

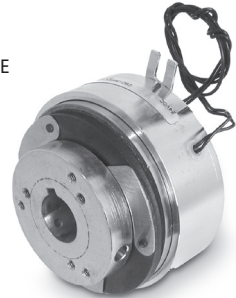
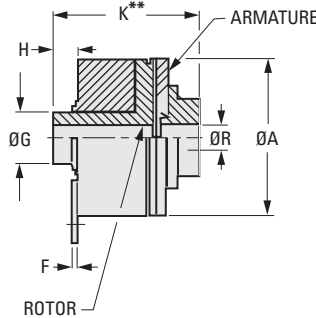
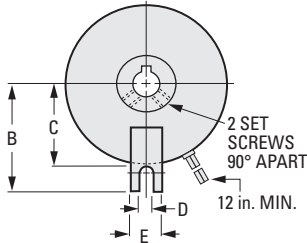
PHONE: 516.328.3300 • FAX: 516.326.8827 • WWW.SDP-SI.COM



**> COIL DATA:**

**Voltage:** 24V DC

Other voltages and dissimilar bore combinations are available on special order.



**Keyway Dimensions**

Bore	.250	.375	.500	.625	.750
Width	.062	.094	.125	.188	.188
Height	.286	.425	.564	.709	.837

**INCH COMPONENT**

Catalog Number	Static* Torque lbf in.	Nom. Resist. ohms	Max. wattage	Armature Inertia lbf in.sec <sup>2</sup>	Rotor Inertia lbf in.sec <sup>2</sup>	Energy Dissipation lbf ft./min.	Armature	
							Engagement msec	Disengagement msec
ΔS90CSC-11A0404	5	128	5	3.4 x 10 <sup>-5</sup>	2.6 x 10 <sup>-5</sup>	175	5	18
S90CSC-17A0404	15	108	6	8.1 x 10 <sup>-5</sup>	11.4 x 10 <sup>-5</sup>	420	10	27
S90CSC-22A0606	40	75	8.5	33.1 x 10 <sup>-5</sup>	32.3 x 10 <sup>-5</sup>	1400	12	32
S90CSC-26A0606	80	65	9.5	81.0 x 10 <sup>-5</sup>	62.0 x 10 <sup>-5</sup>	2600	15	35
S90CSC-26A0808	80	65	9.5	81.0 x 10 <sup>-5</sup>	62.0 x 10 <sup>-5</sup>	2600	15	35
S90CSC-30A1010	125	44	15	179.5 x 10 <sup>-5</sup>	203.0 x 10 <sup>-5</sup>	2900	18	45
S90CSC-30A1212	125	44	15	179.5 x 10 <sup>-5</sup>	203.0 x 10 <sup>-5</sup>	2900	18	45

Catalog Number (Ref.)	R Bore	A Dia.	B	C	D	E	F	G Dia.	H	K**	Weight lb.
ΔS90CSC-11A0404	.250	1.25	.87	.56	.13	.38	.03	.487	.22	1.28	.2
S90CSC-17A0404	.250	1.78	1.32	.91	.19	.50	.06	.620	.30	1.55	.6
S90CSC-22A0606	.375	2.26	1.52	1.16	.19	.44	.06	.750	.36	2.06	1.1
S90CSC-26A0606	.375	2.63	1.75	1.34	.19	.50	.06	.875	.34	2.11	1.4
S90CSC-26A0808	.500	2.63	1.75	1.34	.19	.50	.06	.875	.34	2.11	1.4
S90CSC-30A1010	.625	3.27	2.05	1.69	.19	.50	.09	1.125	.36	2.14	3.3
S90CSC-30A1212	.750	3.27	2.05	1.69	.19	.50	.09	1.125	.36	2.14	3.3

\* Typical torque after burnishing; units shipped burnished.

\*\* For Catalog Number:

-11A0404, 17A0404, initial working air gap at installation shall be .004/.009.

-22A0606, 26A0606, 26A0808, initial working air gap at installation shall be .006/.013.

-30A1010, 30A1212, initial working air gap at installation shall be .008/.018.

Δ Keyway not available in rotor.