

FOR BELTS UP TO 6 mm WIDE

PHONE: 516.328.3300 • FAX: 516.326.8827 • WWW.SDP-SI.COM

FAIRLOC® HUB
DOUBLE OR NO FLANGE

► **MATERIAL:**
Aluminum Alloy

► **FINISH:**
Clear Anodized

► **SPECIFICATION:**
Other sizes available
on special order.

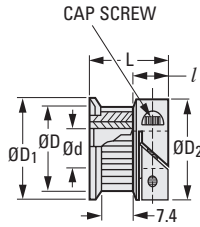
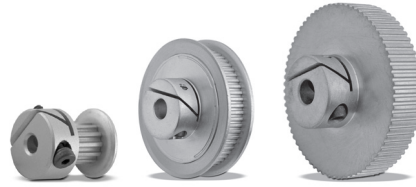


Fig. 1

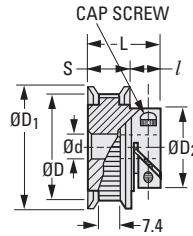


Fig. 2

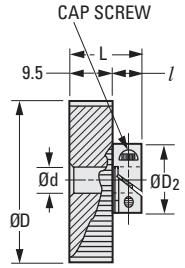


Fig. 3

METRIC COMPONENT

Catalog Number	No. of Grooves	P.D.	D Dia. +0.08 0	D1 Dia. ± 0.4	d Bore +0.025 0	S Body	L Lgth. ± 0.4	D2 Hub Dia. ± 0.4	l Hub Proj.	Cap Screw
Fig. 1										
A 6D16M012DF6003	12	7.8	7.3	12.2	3	—	14.5	12.2	6.2	M2
A 6D16M015DF6005	15	9.7	9.2	14.1	5	—	14.5	14.1	6.2	M2
A 6D16M016DF6005	16	10.3	9.8	14.7	5	—	14.5	14.7	6.2	M2
Fig. 2										
A 6D16M018DF6006	18	11.6	11.1	16.1	6	—	14.5	15.9	6.2	M2
A 6D16M020DF6006	20	12.9	12.4	17.4	6	—	14.5	15.9	6.2	M2
A 6D16M022DF6006	22	14.2	13.7	18.8	6	—	14.5	15.9	6.2	M2
A 6D16M024DF6006	24	15.5	15	20.1	6	—	17.3	15.9	8.9	M2
A 6D16M025DF6006	25	16.2	15.7	20.7	6	—	17.3	15.9	8.9	M2
A 6D16M028DF6006	28	18.1	17.6	22.7	6	—	17.3	15.9	8.9	M2
A 6D16M030DF6006	30	19.4	18.9	24	6	—	17.3	15.9	8.9	M2
A 6D16M032DF6006	32	20.7	20.2	25.4	6	—	17.3	15.9	8.9	M2
A 6D16M036DF6006	36	23.3	22.8	28.1	6	9.9	17.5	15.9	7.5	M2
A 6D16M040DF6006	40	25.9	25.4	30.7	6	10.3	18.3	19.1	7.9	M2
A 6D16M048DF6006	48	31	30.5	36.1	6	10.3	18.3	19.1	7.9	M2
A 6D16M060DF6006	60	38.8	38.3	43.9	6	10.3	18.3	19.1	7.9	M2
Fig. 3										
A 6D16M060NF6006	60	38.8	38.3	—	6	—	19.1	19.1	9.5	M2.5
A 6D16M072NF6006	72	46.6	46.1	—	6	—	19.1	19.1	9.5	M2.5

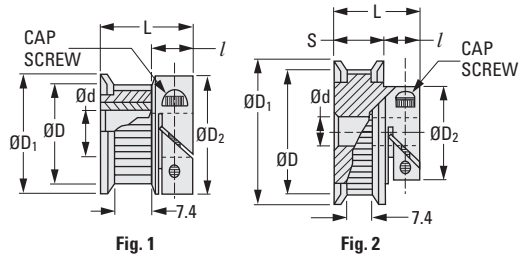
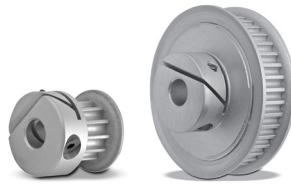
FOR BELTS UP TO 6 mm WIDE

PHONE: 516.328.3300 • FAX: 516.326.8827 • WWW.SDP-SI.COM

FAIRLOC® HUB
DOUBLE FLANGE
TRUE METRIC® PROFILE



- **MATERIAL:**
Aluminum Alloy
- **FINISH:**
Clear Anodized

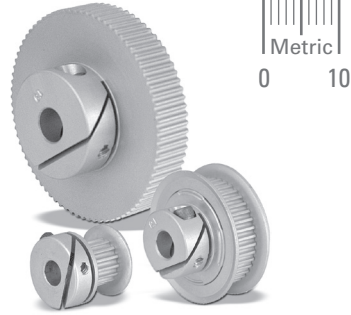


METRIC COMPONENT

Catalog Number	No. of Grooves	P.D.	D Dia. +0.05 0	D ₁ Dia. ± 0.4	d Bore +0.025 0	S Body	L Lgth. ± 0.4	D ₂ Hub Dia. ± 0.4	l Hub Proj.	Cap Screw
Fig. 1										
A 6D23M010DF0603	10	9.6	8.8	12.8	3	–	14.5	12.2	6	M2
A 6D23M012DF0605	12	11.5	10.7	14.7	5	–	14.5	14.7	6	M2
Fig. 2										
A 6D23M014DF0605	14	13.4	12.6	16.1	5	–	14.5	15.9	6	M2
A 6D23M015DF0605	15	14.3	13.5	17.4	5	–	14.5	15.9	6	M2
A 6D23M016DF0605	16	15.3	14.5	18	5	–	14.5	15.9	6	M2
A 6D23M018DF0606	18	17.2	16.4	20	6	–	17.1	15.9	8.8	M2
A 6D23M020DF0606	20	19.1	18.3	22.7	6	–	17.1	15.9	8.8	M2
A 6D23M022DF0606	22	21	20.2	24	6	–	17.1	15.9	8.8	M2
A 6D23M024DF0606	24	22.9	22.1	26	6	9.8	17.5	15.9	7.5	M2
A 6D23M025DF0606	25	23.9	23.1	26.9	6	9.8	17.5	15.9	7.5	M2
A 6D23M026DF0606	26	24.8	24	28.1	6	9.8	17.5	15.9	7.5	M2
A 6D23M030DF0606	30	28.7	27.9	31.8	6	9.8	17.5	19.1	7.5	M2.5
A 6D23M032DF0606	32	30.6	29.8	33.6	6	9.8	17.5	19.1	7.5	M2.5
A 6D23M034DF0606	34	32.5	31.7	35.5	6	10.3	18.3	19.1	7.9	M2.5
A 6D23M036DF0606	36	34.4	33.6	37.4	6	10.3	18.3	19.1	7.9	M2.5
A 6D23M040DF0606	40	38.2	37.4	41.3	6	10.3	18.3	19.1	7.9	M2.5
A 6D23M044DF0606	44	42	41.2	45.1	6	10.3	18.3	19.1	7.9	M2.5

FOR BELTS UP TO 6 mm WIDE
FOR USE WITH GT®2, GT®3 and FHT®-2 BELTS
 FAIRLOC® HUB
 DOUBLE OR NO FLANGE
TRUE METRIC® PROFILE

PHONE: 516.328.3300 • FAX: 516.326.8827 • WWW.SDP-SI.COM



> MATERIAL:

Aluminum Alloy

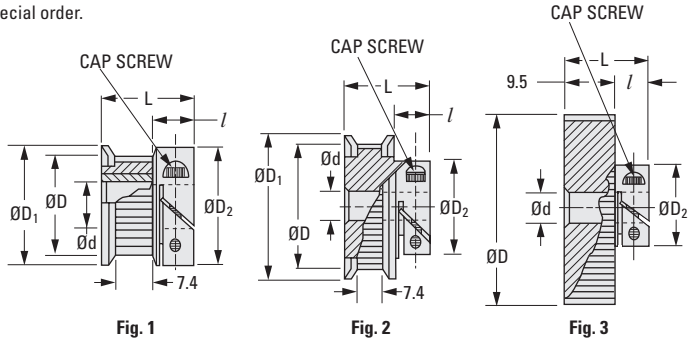
> FINISH:

Clear Anodized

> SPECIFICATION:

D Tolerance: 15 to 40 grooves is +0.051/0
 45 to 80 grooves is +0.076/0
 90 to 120 grooves is +0.102/0

Other sizes available on special order.



METRIC COMPONENT

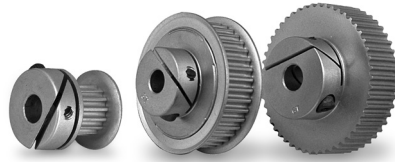
Catalog Number	No. of Grooves	P.D.	D Dia.	D ₁ Dia. ± 0.4	d Bore +0.025/0	L Length ± 0.4	D ₂ Hub ± 0.4	I Hub Proj.	Cap Screw
Fig. 1									
A 6D51M015DF0605	15	9.6	9	14.1	5	14.3	14.7	6	M2
A 6D51M016DF0605	16	10.2	9.7	14.7					
A 6D51M018DF0605	18	11.5	11	16.1					
A 6D51M020DF0605	20	12.7	12.2	17.4					
A 6D51M022DF0605	22	14	13.5	18.8					
A 6D51M024DF0606	24	15.3	14.8	20.1	6	17.5	15.9	7.5	M2.5
A 6D51M025DF0606	25	15.9	15.4	20.7					
A 6D51M028DF0606	28	17.8	17.3	22.7					
A 6D51M030DF0606	30	19.1	18.6	24					
A 6D51M032DF0606	32	20.4	19.9	25.4					
Fig. 2									
A 6D51M036DF0606	36	23	22.4	28.1	6	17.5	15.9	7.5	M2.5
A 6D51M040DF0606	40	25.5	25	30.7					
A 6D51M045DF0606	45	28.6	28.1	34					
A 6D51M048DF0606	48	30.6	30	36.1					
A 6D51M050DF0606	50	31.8	31.3	37.3					
A 6D51M060DF0606	60	38.2	37.7	43.9					
Fig. 3									
A 6D51M060NF0606	60	38.2	37.7	—	6	19.1	25.4	9.5	M2.5
A 6D51M072NF0606	72	45.9	45.3		8				
A 6D51M080NF0608	80	51	50.4		10				
A 6D51M090NF0608	90	57.3	56.8						
A 6D51M100NF0608	100	63.7	63.2						
A 6D51M120NF0610	120	76.4	75.9						

For FHT®-2 Timing Belts see: A 6B19M... and A 6G19M...
 REV: 02.20.15 JC



FOR BELTS UP TO 9 mm WIDE
FOR USE WITH GT®2, GT®3 and FHT®-3 BELTS
 FAIRLOC® HUB
 DOUBLE OR NO FLANGE
TRUE METRIC® PROFILE

PHONE: 516.328.3300 • FAX: 516.326.8827 • WWW.SDP-SI.COM

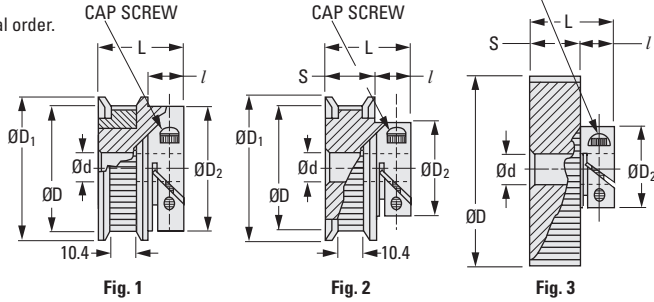


> MATERIAL:
 Aluminum Alloy

> FINISH:
 Clear Anodized

> SPECIFICATION:
 D Tolerance: 18 to 26 grooves is +0.051/0
 30 to 50 grooves is +0.076/0
 56 to 80 grooves is +0.102/0

Other sizes available on special order.



METRIC COMPONENT

Catalog Number	No. of Grooves	P.D.	D Dia.	D ₁ Dia. ± 0.4	d Bore +0.025 0	S Body	L Length ± 0.4	D ₂ Hub Dia. ± 0.4	I Hub Proj.	Cap Screw
Fig. 1										
A 6D53M018DF0906	18	17.2	16.4	20	6	—	20.5	19.1	7.5	M3
A 6D53M020DF0906	20	19.1	18.3	22.7	6	—	20.5	19.1	7.5	M3
A 6D53M022DF0906	22	21	20.2	24	6	—	20.5	19.1	7.5	M3
A 6D53M024DF0906	24	22.9	22.1	26	6	—	20.5	19.1	7.5	M3
A 6D53M025DF0906	25	23.9	23.1	26.9	6	—	20.5	19.1	7.5	M3
A 6D53M026DF0906	26	24.8	24	28.1	6	—	20.5	19.1	7.5	M3
Fig. 2										
A 6D53M030DF0906	30	28.7	27.9	31.8	6	12.9	20.6	19.1	7.5	M3
A 6D53M032DF0906	32	30.6	29.8	33.6	6	12.9	20.6	19.1	7.5	M3
A 6D53M034DF0906	34	32.5	31.7	35.5	6	13.4	21.4	19.1	7.9	M3
A 6D53M036DF0906	36	34.4	33.6	37.4	6	13.4	21.4	19.1	7.9	M3
A 6D53M038DF0906	38	36.3	35.5	39.9	6	13.4	21.4	19.1	7.9	M3
A 6D53M040DF0906	40	38.2	37.4	41.3	6	13.4	21.4	19.1	7.9	M3
A 6D53M045DF0906	45	43	42.2	45.1	6	13.4	21.4	19.1	7.9	M3
Fig. 3										
A 6D53M034NF0906	34	32.5	31.7	—	6	13.4	21.3	19.1	7.9	M3
A 6D53M036NF0906	36	34.4	33.6	—	6	13.4	21.3	19.1	7.9	M3
A 6D53M038NF0906	38	36.3	35.5	—	6	13.4	21.3	19.1	7.9	M3
A 6D53M040NF0906	40	38.2	37.4	—	6	13.4	21.3	19.1	7.9	M3
A 6D53M045NF0908	45	43	42.2	—	8	12.7	22.2	25.4	9.5	M3
A 6D53M048NF0908	48	45.8	45	—	8	12.7	22.2	25.4	9.5	M3
A 6D53M050NF0908	50	47.8	47	—	8	12.7	22.2	25.4	9.5	M3
A 6D53M056NF0908	56	53.5	52.7	—	8	12.7	22.2	25.4	9.5	M3
A 6D53M060NF0908	60	57.3	56.5	—	8	12.7	22.2	25.4	9.5	M3
A 6D53M072NF0908	72	68.8	68	—	8	12.7	22.2	25.4	9.5	M3
A 6D53M080NF0908	80	76.4	75.6	—	8	12.7	22.2	25.4	9.5	M3

I
R
T
1
2
3
4
5
6
7
8
9
10
11
12
13
14
15
A