

FOR 9 mm BELTS (.354 INCH)
 FOR USE WITH GT[®]2, GT[®]3 and FHT[®]-3 BELTS
 FAIRLOC[®] HUB
 DOUBLE OR NO FLANGE
TRUE METRIC[®] PROFILE

PHONE: 516.328.3300 • FAX: 516.326.8827 • WWW.SDP-SI.COM



> MATERIAL:

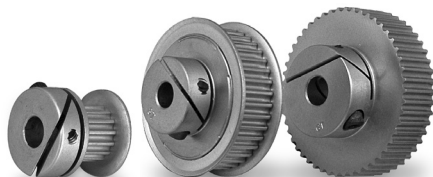
Aluminum Alloy

> FINISH:

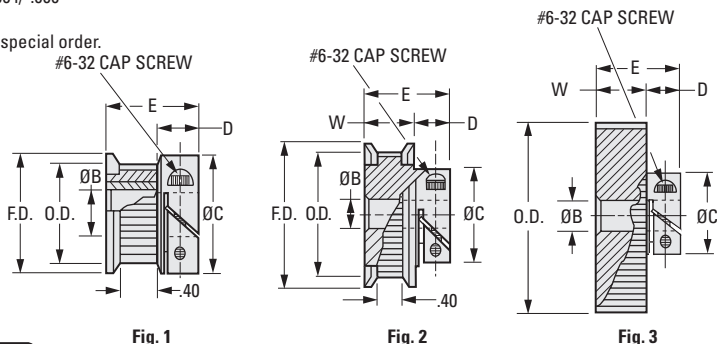
Clear Anodized

> SPECIFICATIONS:

O.D. Tolerance:
 18 to 26 grooves is +.002/-.000
 30 to 50 grooves is +.003/-.000
 56 to 80 grooves is +.004/-.000



Other sizes available on special order.



INCH COMPONENT

Catalog Number	No. of Grooves	P.D.	O.D.	F.D. ± 1/64	B Bore +.001 -.000	W	E Length ± 1/64	C Hub Dia. ± 1/64	D Hub Proj.
Fig. 1									
A 6D53-018DF0908	18	.677	.647	.790	.250	—	13/16	3/4	19/64
A 6D53-020DF0908	20	.752	.722	.895	.250	—	13/16	3/4	19/64
A 6D53-022DF0908	22	.827	.797	.945	.250	—	13/16	3/4	19/64
A 6D53-024DF0908	24	.902	.872	1.025	.250	—	13/16	3/4	19/64
A 6D53-025DF0908	25	.940	.910	1.060	.250	—	13/16	3/4	19/64
A 6D53-026DF0908	26	.977	.947	1.105	.250	—	13/16	3/4	19/64
Fig. 2									
A 6D53-030DF0908	30	1.128	1.098	1.250	.250	.506	13/16	3/4	19/64
A 6D53-032DF0908	32	1.203	1.173	1.323	.250	.506	13/16	3/4	19/64
A 6D53-034DF0908	34	1.278	1.248	1.398	.250	.527	27/32	3/4	5/16
A 6D53-036DF0908	36	1.353	1.323	1.473	.250	.527	27/32	3/4	5/16
A 6D53-038DF0908	38	1.429	1.399	1.549	.250	.527	27/32	3/4	5/16
A 6D53-040DF0908	40	1.504	1.474	1.625	.250	.527	27/32	3/4	5/16
A 6D53-045DF0908	45	1.692	1.662	1.775	.250	.527	27/32	3/4	5/16
Fig. 3									
A 6D53-034NF0908	34	1.278	1.248	—	.250	.527	27/32	3/4	5/16
A 6D53-036NF0908	36	1.353	1.323	—	.250	.527	27/32	3/4	5/16
A 6D53-038NF0908	38	1.429	1.399	—	.250	.527	27/32	3/4	5/16
A 6D53-040NF0908	40	1.504	1.474	—	.250	.527	27/32	3/4	5/16
A 6D53-045NF0910	45	1.692	1.662	—	.3125	.500	7/8	1	3/8
A 6D53-048NF0910	48	1.805	1.775	—	.3125	.500	7/8	1	3/8
A 6D53-050NF0910	50	1.880	1.850	—	.3125	.500	7/8	1	3/8
A 6D53-056NF0910	56	2.105	2.075	—	.3125	.500	7/8	1	3/8
A 6D53-060NF0910	60	2.256	2.226	—	.3125	.500	7/8	1	3/8
A 6D53-072NF0910	72	2.707	2.677	—	.3125	.500	7/8	1	3/8
A 6D53-080NF0910	80	3.008	2.978	—	.3125	.500	7/8	1	3/8

FOR BELTS UP TO 6 mm (.236 INCH) WIDE
FOR USE WITH GT², GT³ and FHT[®]-2 BELTS
 FAIRLOC[®] HUB
 DOUBLE OR NO FLANGE
TRUE METRIC[®] PROFILE

PHONE: 516.328.3300 • FAX: 516.326.8827 • WWW.SDP-SI.COM



➤ **MATERIAL:**

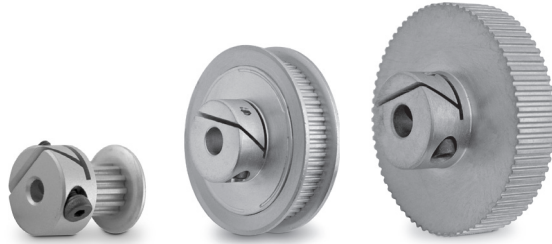
Aluminum Alloy

➤ **FINISH:**

Clear Anodized

➤ **SPECIFICATIONS:**

O.D. Tolerance:
 15 to 40 grooves is $+.002/-0.000$
 45 to 80 grooves is $+.003/-0.000$
 90 to 120 grooves is $+.004/-0.000$



Other sizes available on special order.

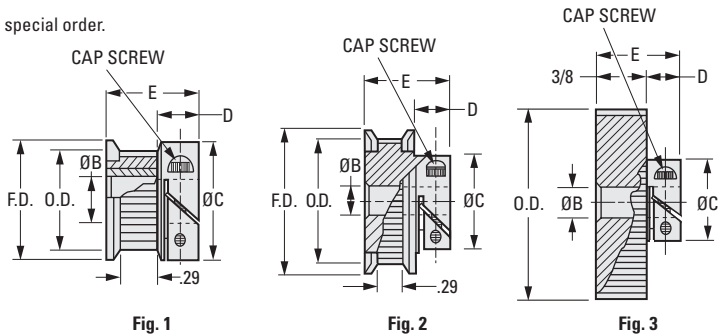


Fig. 1

Fig. 2

Fig. 3

INCH COMPONENT

Catalog Number	No. of Grooves	P.D.	O.D.	F.D. ± 1/64	B Bore +.001 - .000	E Length ± 1/64	C Hub Dia. ± 1/64	D Hub Proj.	Cap Screw
Fig. 1									
A 6D51-015DF0606	15	.376	.356	.555	.1875	9/16	.580	15/64	#2-56
A 6D51-016DF0606	16	.401	.381	.580	.1875	9/16	.580	15/64	#2-56
A 6D51-018DF0606	18	.451	.431	.625	.1875	9/16	.625	15/64	#2-56
Fig. 2									
A 6D51-020DF0606	20	.501	.481	.685	.2500	11/16	.625	15/64	#2-56
A 6D51-022DF0606	22	.551	.531	.740	.2500	11/16	.625	15/64	#2-56
A 6D51-024DF0608	24	.602	.582	.790	.2500	11/16	.625	19/64	#4-40
A 6D51-025DF0608	25	.627	.607	.815	.2500	11/16	.625	19/64	#4-40
A 6D51-028DF0608	28	.702	.682	.895	.2500	11/16	.625	19/64	#4-40
A 6D51-030DF0608	30	.752	.732	.945	.2500	11/16	.625	19/64	#4-40
A 6D51-032DF0608	32	.802	.782	1.000	.2500	11/16	.625	19/64	#4-40
A 6D51-036DF0608	36	.902	.882	1.105	.2500	11/16	.625	19/64	#4-40
A 6D51-040DF0608	40	1.003	.983	1.210	.2500	23/32	.625	5/16	#4-40
A 6D51-045DF0608	45	1.128	1.108	1.340	.2500	23/32	.625	5/16	#4-40
A 6D51-048DF0608	48	1.203	1.183	1.420	.2500	23/32	.625	5/16	#4-40
A 6D51-050DF0608	50	1.253	1.233	1.470	.2500	23/32	.625	5/16	#4-40
A 6D51-060DF0608	60	1.504	1.484	1.730	.2500	23/32	.625	5/16	#4-40
Fig. 3									
A 6D51-060NF0608	60	1.504	1.484	—	.2500	3/4	.750	3/8	#4-40
A 6D51-072NF0608	72	1.805	1.785	—	.2500	3/4	.750	3/8	#4-40
A 6D51-080NF0610	80	2.005	1.985	—	.3125	3/4	1.000	3/8	#6-32
A 6D51-090NF0610	90	2.256	2.236	—	.3125	3/4	1.000	3/8	#6-32
A 6D51-100NF0610	100	2.506	2.486	—	.3125	3/4	1.000	3/8	#6-32
A 6D51-120NF0612	120	3.008	2.988	—	.3750	3/4	1.000	3/8	#6-32



FOR 6 mm BELTS (.236 INCH)
 FAIRLOC® HUB
 DOUBLE FLANGE
TRUE METRIC® PROFILE

PHONE: 516.328.3300 • FAX: 516.326.8827 • WWW.SDP-SI.COM

- **MATERIAL:**
Aluminum Alloy
- **FINISH:**
Clear Anodized
- **SPECIFICATIONS:**
O.D. Tolerance:
10 to 26 grooves is $+.002/-0.000$
30 to 44 grooves is $+.003/-0.000$

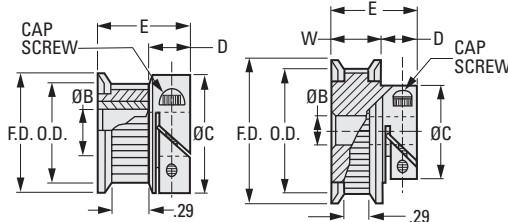


Fig. 1

Fig. 2

INCH COMPONENT

Catalog Number	No. of Grooves	P.D.	O.D.	F.D. $\pm 1/64$	B Bore $+.001$ $-.000$	W Body	E Length $\pm 1/64$	C Hub Dia. $\pm 1/64$	D Hub Proj.	Cap Screw
Fig. 1										
A 6D23-010DF0604	10	.376	.346	.505	.125	—	9/16	.480	15/64	#2-56
A 6D23-012DF0606	12	.451	.421	.580	.1875	—	9/16	.580	15/64	#2-56
A 6D23-014DF0606	14	.526	.496	.635	.1875	—	9/16	.625	15/64	#2-56
A 6D23-015DF0606	15	.564	.534	.685	.1875	—	9/16	.625	15/64	#2-56
A 6D23-016DF0606	16	.602	.572	.710	.1875	—	9/16	.625	15/64	#2-56
A 6D23-018DF0608	18	.677	.647	.790	.250	—	11/16	.625	11/32	#2-56
A 6D23-020DF0608	20	.752	.722	.895	.250	—	11/16	.625	11/32	#2-56
A 6D23-022DF0608	22	.827	.797	.945	.250	—	11/16	.625	11/32	#2-56
Fig. 2										
A 6D23-024DF0608	24	.902	.872	1.025	.250	.386	11/16	.625	19/64	#2-56
A 6D23-025DF0608	25	.940	.910	1.060	.250	.386	11/16	.625	19/64	#2-56
A 6D23-026DF0608	26	.977	.947	1.105	.250	.386	11/16	.625	19/64	#2-56
A 6D23-030DF0608	30	1.128	1.098	1.250	.250	.386	11/16	.750	19/64	#4-40
A 6D23-032DF0608	32	1.203	1.173	1.323	.250	.386	11/16	.750	19/64	#4-40
A 6D23-034DF0608	34	1.278	1.248	1.398	.250	.407	23/32	.750	5/16	#4-40
A 6D23-036DF0608	36	1.353	1.323	1.473	.250	.407	23/32	.750	5/16	#4-40
A 6D23-040DF0608	40	1.504	1.474	1.625	.250	.407	23/32	.750	5/16	#4-40
A 6D23-044DF0608	44	1.654	1.624	1.775	.250	.407	23/32	.750	5/16	#4-40

FOR 1/4" BELTS
FAIRLOC® HUB
DOUBLE OR NO FLANGE

PHONE: 516.328.3300 • FAX: 516.326.8827 • WWW.SDP-SI.COM



> MATERIAL:
 Aluminum Alloy

> FINISH:
 Clear Anodized

> SPECIFICATIONS:
 O.D. Tolerance:
 12 to 32 grooves is +.002 /-.000
 36 to 72 grooves is +.003 /-.000

Other sizes available on special order.

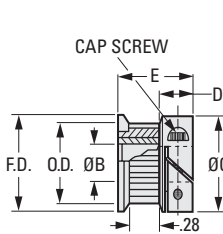
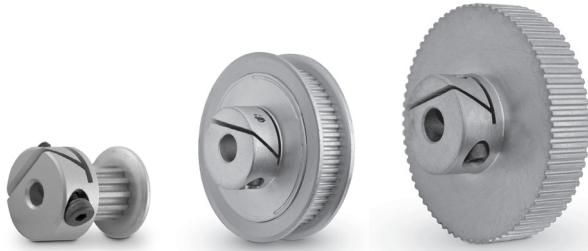


Fig. 1

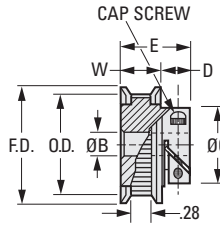


Fig. 2

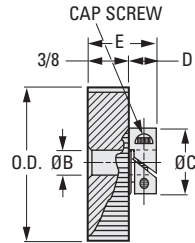


Fig. 3

INCH COMPONENT

Catalog Number	No. of Grooves	P.D.	O.D.	F.D. ± 1/64	B Bore +.001 -.000	W Body	E Length ± 1/64	C Hub Dia. ± 1/64	D Hub Proj.	Cap Screw
Fig. 1										
A 6D16-012DF2504	12	.306	.286	.480	.125	—	9/16	.480	15/64	#2-56
A 6D16-015DF2506	15	.382	.362	.555	.1875	—	9/16	.555	15/64	#2-56
A 6D16-016DF2506	16	.407	.387	.580	.1875	—	9/16	.580	15/64	#2-56
A 6D16-018DF2508	18	.458	.438	.635	.250	—	9/16	.625	15/64	#2-56
A 6D16-020DF2508	20	.509	.489	.685	.250	—	9/16	.625	15/64	#2-56
A 6D16-022DF2508	22	.560	.540	.740	.250	—	9/16	.625	15/64	#2-56
A 6D16-024DF2508	24	.611	.591	.790	.250	—	11/16	.625	11/32	#2-56
A 6D16-025DF2508	25	.637	.617	.815	.250	—	11/16	.625	11/32	#2-56
A 6D16-028DF2508	28	.713	.693	.895	.250	—	11/16	.625	11/32	#2-56
A 6D16-030DF2508	30	.764	.744	.945	.250	—	11/16	.625	11/32	#2-56
A 6D16-032DF2508	32	.815	.795	1.000	.250	—	11/16	.625	11/32	#2-56
Fig. 2										
A 6D16-036DF2508	36	.917	.897	1.105	.250	.389	11/16	.625	19/64	#2-56
A 6D16-040DF2508	40	1.019	.999	1.210	.250	.405	23/32	.750	5/16	#4-40
A 6D16-048DF2508	48	1.222	1.202	1.420	.250	.405	23/32	.750	5/16	#4-40
A 6D16-060DF2508	60	1.528	1.508	1.730	.250	.405	23/32	.750	5/16	#4-40
Fig. 3										
A 6D16-060NF2508	60	1.528	1.508	—	.250	—	3/4	.750	3/8	#4-40
A 6D16-072NF2508	72	1.833	1.813	—	.250	—	3/4	.750	3/8	#4-40

I
R
T
1
2
3
4
5
6
7
8
9
10
11
12
13
14
15
16