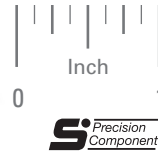


FAIRLOC® HUB MITER AND BEVEL GEARS • 72 PITCH



AGMA 10
1/8 BORE
PRECISION MATCHED SETS
20° PRESSURE ANGLE

PHONE: 516.328.3300 • FAX: 516.326.8827 • WWW.SDP-SI.COM



> MATERIAL:

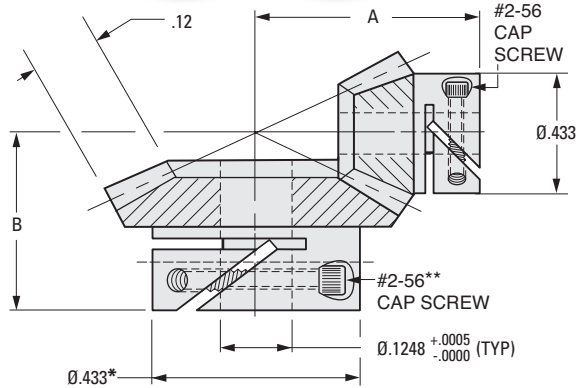
303 Stainless Steel
2024-T4 or T351 Aluminum Alloy,
anodized before cutting

> SPECIFICATIONS:

Socket Head Cap Screw Supplied.
Fairloc® hubs require controlled
shaft tolerances. Suggested
clearance fit between the bore and
the shaft is .0001/.0008.

Available on special order:
Teeth not listed, different pitch,
bore size, passivation.

Sold as Set



INCH COMPONENT

Catalog Number	Ratio	No. of Teeth	P.D.	A	B	Material
S13F3Z-72S36S036	1:1	36 36	.500	.531	.531	Stainless Steel
S13F3Z-72A36A036	1:1	36 36	.500	.531	.531	Aluminum
S13F3Z-72S36A036	1:1	36 36	.500	.531	.531	Stainless Steel Aluminum
S13F3Z-72S36S054	1:1.5	36 54	.500 .750	.640	.531	Stainless Steel
S13F3Z-72A36A054	1:1.5	36 54	.500 .750	.640	.531	Aluminum
S13F3Z-72S36A054	1:1.5	36 54	.500 .750	.640	.531	Stainless Steel Aluminum
S13F3Z-72S36S072	1:2	36 72	.500 1.000	.750	.531	Stainless Steel
S13F3Z-72A36A072	1:2	36 72	.500 1.000	.750	.531	Aluminum
S13F3Z-72S36A072	1:2	36 72	.500 1.000	.750	.531	Stainless Steel Aluminum
*S13F3Z-72S36S108	1:3	36 108	.500 1.500	1.000	.593	Stainless Steel
*S13F3Z-72A36A108	1:3	36 108	.500 1.500	1.000	.593	Aluminum
*S13F3Z-72S36A108	1:3	36 108	.500 1.500	1.000	.593	Stainless Steel Aluminum
*S13F3Z-72S36S144	1:4	36 144	.500 2.000	1.250	.593	Stainless Steel
*S13F3Z-72A36A144	1:4	36 144	.500 2.000	1.250	.593	Aluminum
*S13F3Z-72S36A144	1:4	36 144	.500 2.000	1.250	.593	Stainless Steel Aluminum

* For 1:3 and 1:4 ratios, the larger gear has a hub diameter of .551.

** For 1:3 and 1:4 ratios, the size of the cap screw is #4-40 to provide a stronger grip.

1

R

T

NEW

2

3

4

5

6

7

8

9

10

11

12

13

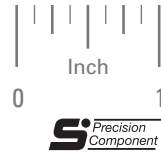
14

15

16

AGMA 10
3/16" BORE
PRECISION MATCHED SETS
20° PRESSURE ANGLE

PHONE: 516.328.3300 • FAX: 516.326.8827 • WWW.SDP-SI.COM



> MATERIAL:

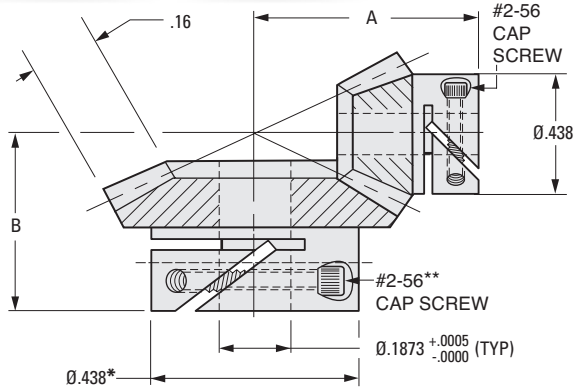
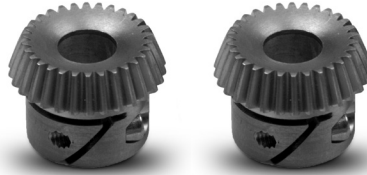
303 Stainless Steel
2024-T4 or T351 Aluminum Alloy,
anodized before cutting

> SPECIFICATIONS:

Socket Head Cap Screw Supplied.
Fairloc® hubs require controlled
shaft tolerances. Suggested
clearance fit between the bore and
the shaft is .0001/.0006.

Available on special order:
Teeth not listed, different pitch,
bore size, passivation.

Sold as Set



INCH COMPONENT

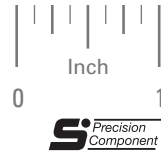
Catalog Number	Ratio	No. of Teeth	P.D.	A	B	Material
S13F4Z-64S32S032	1:1	32 32	.500	.562	.562	Stainless Steel
S13F4Z-64A32A032	1:1	32 32	.500	.562	.562	Aluminum
S13F4Z-64S32A032	1:1	32 32	.500	.562	.562	Stainless Steel Aluminum
S13F4Z-64S32S048	1:1.5	32 48	.500 .750	.656	.562	Stainless Steel
S13F4Z-64A32A048	1:1.5	32 48	.500 .750	.656	.562	Aluminum
S13F4Z-64S32A048	1:1.5	32 48	.500 .750	.656	.562	Stainless Steel Aluminum
S13F4Z-64S32S064	1:2	32 64	.500 1.000	.750	.562	Stainless Steel
S13F4Z-64A32A064	1:2	32 64	.500 1.000	.750	.562	Aluminum
S13F4Z-64S32A064	1:2	32 64	.500 1.000	.750	.562	Stainless Steel Aluminum
*S13F4Z-64S32S096	1:3	32 96	.500 1.500	1.000	.619	Stainless Steel
*S13F4Z-64A32A096	1:3	32 96	.500 1.500	1.000	.619	Aluminum
*S13F4Z-64S32A096	1:3	32 96	.500 1.500	1.000	.619	Stainless Steel Aluminum
*S13F4Z-64S32S128	1:4	32 128	.500 2.000	1.250	.619	Stainless Steel
*S13F4Z-64A32A128	1:4	32 128	.500 2.000	1.250	.619	Aluminum
*S13F4Z-64S32A128	1:4	32 128	.500 2.000	1.250	.619	Stainless Steel Aluminum

* For 1:3 and 1:4 ratios, the larger gear has a hub diameter of .578.

** For 1:3 and 1:4 ratios, the size of the cap screw is #4-40 to provide a stronger grip.

AGMA 10
1/4 BORE
PRECISION MATCHED SETS
20° PRESSURE ANGLE

PHONE: 516.328.3300 • FAX: 516.326.8827 • WWW.SDP-SI.COM



> MATERIAL:

303 Stainless Steel
2024-T4 or T351 Aluminum Alloy,
anodized before cutting

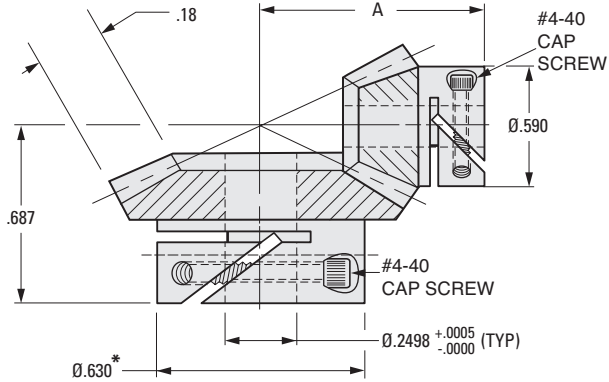


> SPECIFICATIONS:

Socket Head Cap Screw Supplied.
Fairloc® hubs require controlled
shaft tolerances. Suggested
clearance fit between the bore and
the shaft is .0001/.0008.

Available on special order:
Teeth not listed, different pitch,
bore size, passivation.

Sold as Set



INCH COMPONENT

Catalog Number	Ratio	No. of Teeth	P.D.	A	Material
*S13F6Z-48S30S030	1:1	30 30	.625	.687	Stainless Steel
*S13F6Z-48A30A030	1:1	30 30	.625	.687	Aluminum
*S13F6Z-48S30A030	1:1	30 30	.625	.687	Stainless Steel Aluminum
S13F6Z-48S30S045	1:1.5	30 45	.625 .9375	.812	Stainless Steel
S13F6Z-48A30A045	1:1.5	30 45	.625 .9375	.812	Aluminum
S13F6Z-48S30A045	1:1.5	30 45	.625 .9375	.812	Stainless Steel Aluminum
S13F6Z-48S30S060	1:2	30 60	.625 1.250	.937	Stainless Steel
S13F6Z-48A30A060	1:2	30 60	.625 1.250	.937	Aluminum
S13F6Z-48S30A060	1:2	30 60	.625 1.250	.937	Stainless Steel Aluminum
S13F6Z-48S30S090	1:3	30 90	.625 1.875	1.250	Stainless Steel
S13F6Z-48A30A090	1:3	30 90	.625 1.875	1.250	Aluminum
S13F6Z-48S30A090	1:3	30 90	.625 1.875	1.250	Stainless Steel Aluminum
S13F6Z-48S30S120	1:4	30 120	.625 2.500	1.531	Stainless Steel
S13F6Z-48A30A120	1:4	30 120	.625 2.500	1.531	Aluminum
S13F6Z-48S30A120	1:4	30 120	.625 2.500	1.531	Stainless Steel Aluminum

* Set includes 2 miter gears with hub 0.590.

REV: 08.10.16 KT

1-197C

I

R

T

NEW

2

3

4

5

6

7

8

9

10

11

12

13

14

15

16