

> **MATERIAL:**

303 Stainless Steel

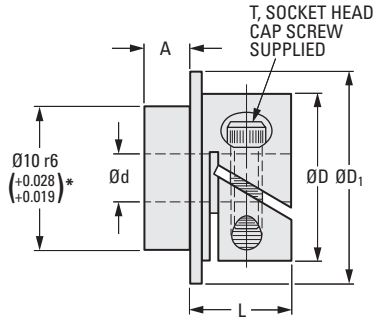
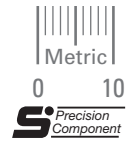
> **SPECIFICATIONS:**

Fairloc® hubs require controlled shaft tolerances. Suggested tolerance according to g6, h6 or h7

d bore and mounting diameter are concentric to 0.005 mm.

Bore Tolerance: 2.5 & 3 mm +0.01/0  
 4, 5 & 6 mm +0.012/0  
 8 mm +0.015/0

Available as special order:  
 Hubs assembled to gears or dials and passivation



**METRIC COMPONENT**

Catalog Number	A	d Bore H7	L	D Dia.	T	D1 Dia.	Clear. Radius
S2F0MYM016025	1.6	2.5	8.5	11	M2	14	6.4
S2F0MYM032025	3.2	2.5	8.5	11	M2	14	6.4
S2F0MYM016030	1.6	3	8.5	11	M2	14	6.4
S2F0MYM032030	3.2	3	8.5	11	M2	14	6.4
S2F0MYM060030	6	3	8.5	11	M2	14	6.4
S2F0MYM080030	8	3	8.5	11	M2	14	6.4
S2F0MYM100030	10	3	8.5	11	M2	14	6.4
S2F0MYM016040	1.6	4	8.5	14	M2.5	17	8.3
S2F0MYM032040	3.2	4	8.5	14	M2.5	17	8.3
S2F0MYM060040	6	4	8.5	14	M2.5	17	8.3
S2F0MYM080040	8	4	8.5	14	M2.5	17	8.3
S2F0MYM100040	10	4	8.5	14	M2.5	17	8.3
S2F0MYM016050	1.6	5	8.5	14	M2.5	17	8.3
S2F0MYM032050	3.2	5	8.5	14	M2.5	17	8.3
S2F0MYM048050	4.8	5	8.5	14	M2.5	17	8.3
S2F0MYM050050	5	5	8.5	14	M2.5	17	8.3
S2F0MYM060050	6	5	8.5	14	M2.5	17	8.3
S2F0MYM080050	8	5	8.5	14	M2.5	17	8.3
S2F0MYM100050	10	5	8.5	14	M2.5	17	8.3
S2F0MYM016060	1.6	6	9.8	17	M3	17	11.1
S2F0MYM032060	3.2	6	9.8	17	M3	17	11.1
S2F0MYM048060	4.8	6	9.8	17	M3	17	11.1
S2F0MYM050060	5	6	9.8	17	M3	17	11.1
S2F0MYM060060	6	6	9.8	17	M3	17	11.1
S2F0MYM080060	8	6	9.8	17	M3	17	11.1
S2F0MYM100060	10	6	9.8	17	M3	17	11.1
S2F0MYM016080	1.6	8	9.8	17	M3	17	11.1
S2F0MYM032080	3.2	8	9.8	17	M3	17	11.1
S2F0MYM048080	4.8	8	9.8	17	M3	17	11.1
S2F0MYM050080	5	8	9.8	17	M3	17	11.1

\* To provide press fit, use tolerance according to H7 for the mating part bore diameter.

