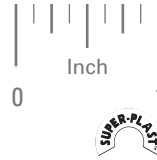


FOR 9 mm BELTS (.354 INCH)  
 MOLDED WITH FAIRLOC® HUB  
 SINGLE AND DOUBLE FLANGE  
**TRUE METRIC®** PROFILE

PHONE: 516.328.3300 • FAX: 516.326.8827 • WWW.SDP-SI.COM



➤ **MATERIAL:**

**Pulley** - Polycarbonate, Fiberglass Reinforced  
**Hub** - Aluminum Alloy, Overmolded

➤ **SPECIFICATION:**

Pulleys with 11 to 19 grooves do not have webs.

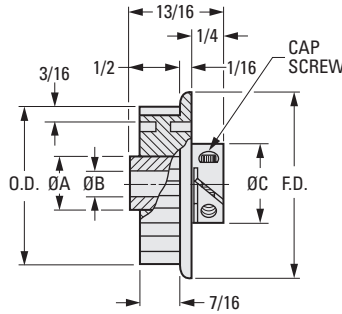
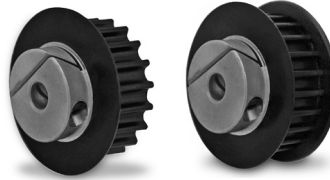


Fig. 1

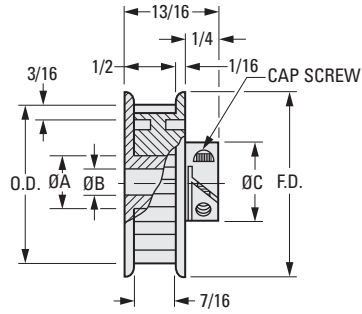


Fig. 2

**INCH COMPONENT**

Catalog Number		No. of Grooves	P.D.	O.D.	F.D.	B Bore +.001 -.000	A Dia.	C Hub Dia.	Cap Screw
Fig. 1 Single Flange	Fig. 2 Double Flange								
A 6H25-011SF0906	A 6H25-011DF0906	11	.689	.644	.87	.1875	3/8	1/2	#2-56
A 6H25-012SF0906	A 6H25-012DF0906	12	.752	.707	.93	.1875	3/8	1/2	#2-56
A 6H25-013SF0906	A 6H25-013DF0906	13	.815	.770	.99	.1875	3/8	1/2	#2-56
A 6H25-014SF0908	A 6H25-014DF0908	14	.877	.832	1.06	.250	1/2	3/4	#4-40
A 6H25-015SF0908	A 6H25-015DF0908	15	.940	.895	1.19	.250	1/2	3/4	#4-40
A 6H25-016SF0908	A 6H25-016DF0908	16	1.003	.958	1.19	.250	1/2	3/4	#4-40
A 6H25-017SF0908	A 6H25-017DF0908	17	1.065	1.020	1.24	.250	1/2	3/4	#4-40
A 6H25-018SF0908	A 6H25-018DF0908	18	1.128	1.083	1.31	.250	1/2	3/4	#4-40
A 6H25-019SF0908	A 6H25-019DF0908	19	1.191	1.146	1.38	.250	1/2	3/4	#4-40
A 6H25-020SF0908	A 6H25-020DF0908	20	1.253	1.208	1.44	.250	1/2	3/4	#4-40
A 6H25-022SF0908	A 6H25-022DF0908	22	1.379	1.334	1.57	.250	1/2	7/8	#4-40
A 6H25-025SF0908	A 6H25-025DF0908	25	1.566	1.521	1.76	.250	1/2	7/8	#4-40
A 6H25-028SF0908	A 6H25-028DF0908	28	1.754	1.709	1.95	.250	1/2	7/8	#4-40
A 6H25-029SF0908	A 6H25-029DF0908	29	1.817	1.772	2.02	.250	1/2	7/8	#4-40
A 6H25-030SF0908	A 6H25-030DF0908	30	1.880	1.835	2.08	.250	1/2	7/8	#4-40
A 6H25-040SF0910	A 6H25-040DF0910	40	2.506	2.461	2.71	.3125	5/8	7/8	#4-40
A 6H25-050SF0910	A 6H25-050DF0910	50	3.133	3.088	3.29	.3125	5/8	7/8	#4-40

# XL TIMING BELT PULLEYS • 1/5" PITCH



**FOR 3/8" BELTS**  
 MOLDED WITH FAIRLOC® HUB  
 DOUBLE FLANGE

PHONE: 516.328.3300 • FAX: 516.326.8827 • WWW.SDP-SI.COM

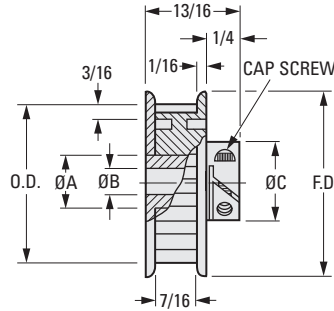


**MATERIAL:**

**Pulley** - Polycarbonate, Fiberglass Reinforced  
**Hub** - Aluminum Alloy, Overmolded

**SPECIFICATION:**

Pulleys with 10 to 21 grooves do not have webs.



**INCH COMPONENT**

Catalog Number	No. of Grooves	P.D.	O.D.	F.D.	B Bore +.001 - .000	A Dia.	C Hub Dia.	Cap Screw
A 6H 3-10DF03706	10	.637	.617	.87	.1875	3/8	1/2	#2-56
A 6H 3-11DF03706	11	.700	.680	.93	.1875	3/8	1/2	#2-56
A 6H 3-12DF03706	12	.764	.744	.99	.1875	3/8	1/2	#2-56
A 6H 3-13DF03706	13	.828	.808	1.06	.1875	3/8	1/2	#2-56
A 6H 3-14DF03708	14	.891	.871	1.12	.250	1/2	3/4	#4-40
A 6H 3-15DF03708	15	.955	.935	1.19	.250	1/2	3/4	#4-40
A 6H 3-16DF03708	16	1.019	.999	1.24	.250	1/2	3/4	#4-40
A 6H 3-17DF03708	17	1.082	1.062	1.31	.250	1/2	3/4	#4-40
A 6H 3-18DF03708	18	1.146	1.126	1.38	.250	1/2	3/4	#4-40
A 6H 3-19DF03708	19	1.210	1.190	1.44	.250	1/2	3/4	#4-40
A 6H 3-20DF03708	20	1.273	1.253	1.51	.250	1/2	7/8	#4-40
A 6H 3-21DF03708	21	1.337	1.317	1.57	.250	1/2	7/8	#4-40
A 6H 3-22DF03708	22	1.401	1.381	1.63	.250	1/2	7/8	#4-40
A 6H 3-23DF03708	23	1.464	1.444	1.69	.250	1/2	7/8	#4-40
A 6H 3-24DF03708	24	1.528	1.508	1.76	.250	1/2	7/8	#4-40
A 6H 3-25DF03708	25	1.592	1.572	1.82	.250	1/2	7/8	#4-40
A 6H 3-26DF03708	26	1.655	1.635	1.89	.250	1/2	7/8	#4-40
A 6H 3-27DF03708	27	1.719	1.699	1.95	.250	1/2	7/8	#4-40
A 6H 3-28DF03708	28	1.783	1.763	2.02	.250	1/2	7/8	#4-40
A 6H 3-29DF03708	29	1.846	1.826	2.08	.250	1/2	7/8	#4-40
A 6H 3-30DF03710	30	1.910	1.890	2.14	.3125	5/8	7/8	#4-40
A 6H 3-31DF03710	31	1.974	1.954	2.20	.3125	5/8	7/8	#4-40
A 6H 3-32DF03710	32	2.037	2.017	2.27	.3125	5/8	7/8	#4-40
A 6H 3-34DF03710	34	2.165	2.145	2.40	.3125	5/8	7/8	#4-40
A 6H 3-35DF03710	35	2.228	2.208	2.46	.3125	5/8	7/8	#4-40
A 6H 3-36DF03710	36	2.292	2.272	2.53	.3125	5/8	7/8	#4-40
A 6H 3-37DF03710	37	2.355	2.335	2.59	.3125	5/8	7/8	#4-40
A 6H 3-39DF03710	39	2.483	2.463	2.71	.3125	5/8	7/8	#4-40
A 6H 3-40DF03710	40	2.546	2.526	2.78	.3125	5/8	7/8	#4-40
A 6H 3-42DF03710	42	2.674	2.654	2.92	.3125	5/8	7/8	#4-40
A 6H 3-44DF03710	44	2.801	2.781	3.04	.3125	5/8	7/8	#4-40
A 6H 3-48DF03710	48	3.056	3.036	3.29	.3125	5/8	7/8	#4-40