

FOR 9.5 mm BELTS

MOLDED WITH FAIRLOC® HUB
DOUBLE FLANGE

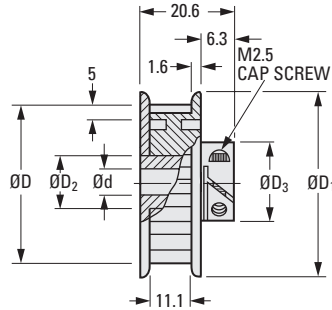
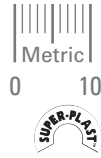
PHONE: 516.328.3300 • FAX: 516.326.8827 • WWW.SDP-SI.COM

> MATERIAL:

Pulley - Polycarbonate, Fiberglass Reinforced
Hub - Aluminum Alloy, Overmolded

> SPECIFICATION:

Pulleys with 10 to 21 grooves do not have webs.



METRIC COMPONENT

Catalog Number	No. of Grooves	P.D.	D Dia.	D ₁ Dia.	d Bore H9	d Tolerance	D ₂ Dia.	D ₃ Hub Dia.
A 6H 3M10DF09504	10	16.2	15.7	22	4	+0.030/0	9.5	13
A 6H 3M11DF09504	11	17.8	17.3	24	4	+0.030/0	9.5	13
A 6H 3M12DF09504	12	19.4	18.9	25	4	+0.030/0	9.5	13
A 6H 3M13DF09504	13	21	20.5	27	4	+0.030/0	9.5	13
A 6H 3M14DF09506	14	22.6	22.1	28	6	+0.030/0	13	19
A 6H 3M15DF09506	15	24.3	23.7	30	6	+0.030/0	13	19
A 6H 3M16DF09506	16	25.9	25.4	32	6	+0.030/0	13	19
A 6H 3M17DF09506	17	27.5	27	33	6	+0.030/0	13	19
A 6H 3M18DF09506	18	29.1	28.6	35	6	+0.030/0	13	19
A 6H 3M19DF09506	19	30.7	30.2	37	6	+0.030/0	13	19
A 6H 3M20DF09506	20	32.3	31.8	38	6	+0.030/0	13	22
A 6H 3M21DF09506	21	34	33.4	40	6	+0.030/0	13	22
A 6H 3M22DF09506	22	35.6	35.1	41	6	+0.030/0	13	22
A 6H 3M23DF09506	23	37.2	36.7	43	6	+0.030/0	13	22
A 6H 3M24DF09506	24	38.8	38.3	45	6	+0.030/0	13	22
A 6H 3M25DF09506	25	40.4	39.9	46	6	+0.030/0	13	22
A 6H 3M26DF09506	26	42	41.5	48	6	+0.030/0	13	22
A 6H 3M27DF09506	27	43.7	43.2	50	6	+0.030/0	13	22
A 6H 3M28DF09506	28	45.3	44.8	51	6	+0.030/0	13	22
A 6H 3M29DF09506	29	46.9	46.4	53	6	+0.030/0	13	22
A 6H 3M30DF09508	30	48.5	48	54	8	+0.036/0	16	22
A 6H 3M31DF09508	31	50.1	49.6	56	8	+0.036/0	16	22
A 6H 3M32DF09508	32	51.7	51.2	58	8	+0.036/0	16	22
A 6H 3M34DF09508	34	55	54.5	61	8	+0.036/0	16	22
A 6H 3M35DF09508	35	56.6	56.1	63	8	+0.036/0	16	22
A 6H 3M36DF09508	36	58.2	57.7	64	8	+0.036/0	16	22
A 6H 3M37DF09508	37	59.8	59.3	66	8	+0.036/0	16	22
A 6H 3M39DF09508	39	63.1	62.6	69	8	+0.036/0	16	22
A 6H 3M40DF09508	40	64.7	64.2	71	8	+0.036/0	16	22
A 6H 3M42DF09508	42	67.9	67.4	74	8	+0.036/0	16	22
A 6H 3M44DF09508	44	71.1	70.6	77	8	+0.036/0	16	22
A 6H 3M48DF09508	48	77.6	77.1	84	8	+0.036/0	16	22

FOR 9.5 mm BELTS
 MOLDED WITH FAIRLOC® HUB
 SINGLE OR NO FLANGE

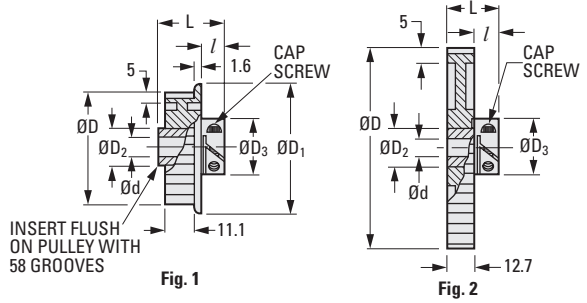
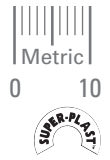
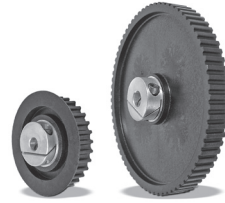
PHONE: 516.328.3300 • FAX: 516.326.8827 • WWW.SDP-SI.COM

> MATERIAL:

Pulley - Polycarbonate, Fiberglass Reinforced
Hub - Aluminum Alloy, Overmolded

> SPECIFICATION:

Pulleys with 10 to 21 grooves do not have webs.

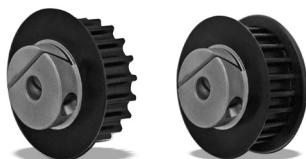
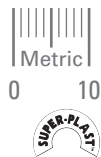


METRIC COMPONENT

Catalog Number	No. of Grooves	P.D.	D Dia.	D ₁ Dia.	d Bore H9	d Tolerance	L Lgth.	D ₂ Dia.	D ₃ Hub Dia.	l Hub Proj.	Cap Screw
Fig. 1 Single Flange											
A 6H 3M10SF09504	10	16.2	15.7	22	4	+0.030/0	20.6	9.5	13	6.3	M2.5
A 6H 3M11SF09504	11	17.8	17.3	24	4	+0.030/0	20.6	9.5	13	6.3	M2.5
A 6H 3M12SF09504	12	19.4	18.9	25	4	+0.030/0	20.6	9.5	13	6.3	M2.5
A 6H 3M13SF09504	13	21	20.5	27	4	+0.030/0	20.6	13	19	6.3	M2.5
A 6H 3M14SF09506	14	22.6	22.1	28	6	+0.030/0	20.6	13	19	6.3	M2.5
A 6H 3M15SF09506	15	24.3	23.7	30	6	+0.030/0	20.6	13	19	6.3	M2.5
A 6H 3M16SF09506	16	25.9	25.4	32	6	+0.030/0	20.6	13	19	6.3	M2.5
A 6H 3M17SF09506	17	27.5	27	33	6	+0.030/0	20.6	13	19	6.3	M2.5
A 6H 3M18SF09506	18	29.1	28.6	35	6	+0.030/0	20.6	13	19	6.3	M2.5
A 6H 3M19SF09506	19	30.7	30.2	37	6	+0.030/0	20.6	13	22	6.3	M2.5
A 6H 3M20SF09506	20	32.3	31.8	38	6	+0.030/0	20.6	13	22	6.3	M2.5
A 6H 3M21SF09506	21	34	33.5	40	6	+0.030/0	20.6	13	22	6.3	M2.5
A 6H 3M22SF09506	22	35.6	35.1	41	6	+0.030/0	20.6	13	22	6.3	M2.5
A 6H 3M23SF09506	23	37.2	36.7	43	6	+0.030/0	20.6	13	22	6.3	M2.5
A 6H 3M24SF09506	24	38.8	38.3	45	6	+0.030/0	20.6	13	22	6.3	M2.5
A 6H 3M25SF09506	25	40.4	39.9	46	6	+0.030/0	20.6	13	22	6.3	M2.5
A 6H 3M26SF09506	26	42	41.6	48	6	+0.030/0	20.6	13	22	6.3	M2.5
A 6H 3M27SF09506	27	43.7	43.2	50	6	+0.030/0	20.6	13	22	6.3	M2.5
A 6H 3M28SF09506	28	45.3	44.8	51	6	+0.030/0	20.6	13	22	6.3	M2.5
A 6H 3M29SF09506	29	46.9	46.4	53	6	+0.030/0	20.6	13	22	6.3	M2.5
A 6H 3M30SF09508	30	48.5	48	54	8	+0.036/0	20.6	13	22	6.3	M2.5
A 6H 3M31SF09508	31	50.1	49.6	56	8	+0.036/0	20.6	16	22	6.3	M2.5
A 6H 3M32SF09508	32	51.7	51.2	58	8	+0.036/0	20.6	16	22	6.3	M2.5
A 6H 3M34SF09508	34	55	54.5	61	8	+0.036/0	20.6	16	22	6.3	M2.5
A 6H 3M35SF09508	35	56.6	56.1	63	8	+0.036/0	20.6	16	22	6.3	M2.5
A 6H 3M36SF09508	36	58.2	57.7	64	8	+0.036/0	20.6	16	22	6.3	M2.5
A 6H 3M37SF09508	37	59.8	59.3	66	8	+0.036/0	20.6	16	22	6.3	M2.5
A 6H 3M39SF09508	39	63	62.5	69	8	+0.036/0	20.6	16	22	6.3	M2.5
A 6H 3M40SF09508	40	64.7	64.2	71	8	+0.036/0	20.6	16	22	6.3	M2.5
A 6H 3M42SF09508	42	67.9	67.4	74	8	+0.036/0	20.6	16	22	6.3	M2.5
A 6H 3M44SF09508	44	71.1	70.6	77	8	+0.036/0	20.6	16	22	6.3	M2.5
A 6H 3M48SF09508	48	77.6	77.1	84	8	+0.036/0	20.6	16	22	6.3	M2.5
A 6H 3M58SF09508	58	93.8	93.3	100	10	+0.036/0	20.6	16	26	8	M3
Fig. 2 No Flange											
A 6H 3M60NF09510	60	97	96.5	-	10	+0.036/0	22.2	16	26	9.5	M4
A 6H 3M72NF09510	72	116.4	115.9	-	10	+0.036/0	22.2	16	26	9.5	M4

FOR 9 mm BELTS
 MOLDED WITH FAIRLOC® HUB
 SINGLE OR DOUBLE FLANGE
TRUE METRIC® PROFILE

PHONE: 516.328.3300 • FAX: 516.326.8827 • WWW.SDP-SI.COM

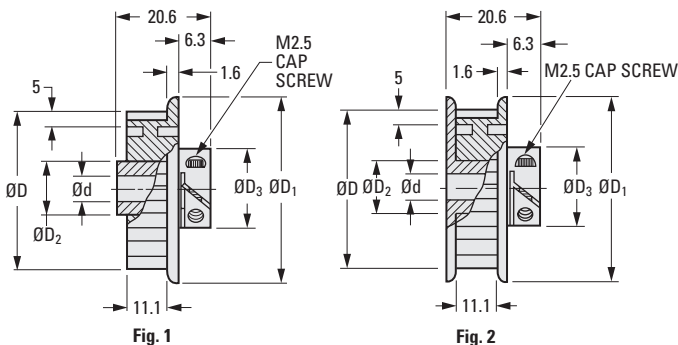


> MATERIAL:

Pulley - Polycarbonate, Fiberglass Reinforced
Hub - Aluminum Alloy, Overmolded

> SPECIFICATIONS:

Pulleys with 11 to 19 grooves do not have webs.



METRIC COMPONENT

Catalog Number		No. of Grooves	P.D.	D Dia.	D ₁ Dia.	D ₂ Dia.	D ₃ Hub Dia.	d Bore Dia. +0.025 0
Fig. 1 Single Flange	Fig. 2 Double Flange							
A 6H25M011SF0904	A 6H25M011DF0904	11	17.5	16.4	22	9.5	12.7	4
A 6H25M012SF0904	A 6H25M012DF0904	12	19.1	18	24	9.5	12.7	4
A 6H25M013SF0904	A 6H25M013DF0904	13	20.7	19.5	25	9.5	12.7	4
A 6H25M014SF0906	A 6H25M014DF0906	14	22.3	21.1	27	12.7	19.1	6
A 6H25M015SF0906	A 6H25M015DF0906	15	23.9	22.7	30	12.7	19.1	6
A 6H25M016SF0906	A 6H25M016DF0906	16	25.5	24.3	30	12.7	19.1	6
A 6H25M017SF0906	A 6H25M017DF0906	17	27.1	25.9	32	12.7	19.1	6
A 6H25M018SF0906	A 6H25M018DF0906	18	28.6	27.5	33	12.7	19.1	6
A 6H25M019SF0906	A 6H25M019DF0906	19	30.2	29.1	35	12.7	19.1	6
A 6H25M020SF0906	A 6H25M020DF0906	20	31.8	30.7	37	12.7	19.1	6
A 6H25M022SF0906	A 6H25M022DF0906	22	35	33.9	40	12.7	22.2	6
A 6H25M025SF0906	A 6H25M025DF0906	25	39.8	38.6	45	12.7	22.2	6
A 6H25M028SF0906	A 6H25M028DF0906	28	44.6	43.4	50	12.7	22.2	6
A 6H25M029SF0906	A 6H25M029DF0906	29	46.2	45	51	12.7	22.2	6
A 6H25M030SF0906	A 6H25M030DF0906	30	47.7	46.6	53	12.7	22.2	6
A 6H25M040SF0908	A 6H25M040DF0908	40	63.7	62.5	69	15.9	22.2	8
A 6H25M050SF0908	A 6H25M050DF0908	50	79.6	78.4	84	15.9	22.2	8