

WITH INTEGRAL BEARING SHIM SPACER

PHONE: 516.328.3300 • FAX: 516.326.8827 • WWW.SDP-SI.COM

> MATERIAL:

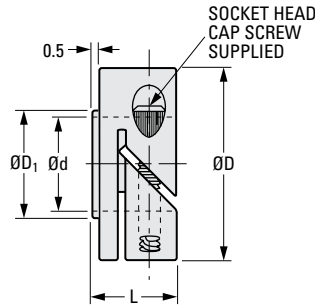
Brass, Black Oxide Finish
303 Stainless Steel

> FEATURES:

No shim spacers required.
Used to preload bearing.
Fairloc® eliminates marred shafts.
More holding strength than set screw collars.

> SPECIFICATION:

* Bore Tolerances:
3 mm +0.014/0
4, 5 & 6 mm +0.018/0
8 & 10 mm +0.022/0
12 & 15 mm +0.027/0
20 mm +0.033/0



METRIC COMPONENT

Catalog Number		Shaft Size	d* Bore H8	D Dia.	L	D ₁ Dia.	Screw Size
Brass - Black Oxide	303 Stainless Steel						
S25FB9MPC0311	S25FY9MPC0311	3	3	11	7	5	M2
S25FB9MPC0412	S25FY9MPC0412	4	4	12.5		6	
S25FB9MPC0516	S25FY9MPC0516	5	5	16	9	7	M2.5
S25FB9MPC0616	S25FY9MPC0616	6	6			8	
S25FB9MPC0822	S25FY9MPC0822	8	8	22	11	10	M3
S25FB9MPC1025	S25FY9MPC1025	10	10	25		12	
S25FB9MPC1225	S25FY9MPC1225	12	12	25		14	
S25FB9MPC1530	S25FY9MPC1530	15	15	30	14	19	M4
S25FB9MPC2038	S25FY9MPC2038	20	20	38		22	M5

NOTE: Fairloc® collars require controlled shaft tolerances. Suggested tolerance according to g6, h6 or h7.

