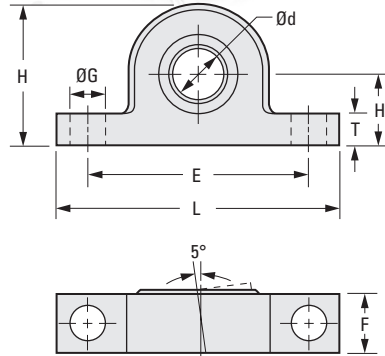


WASHDOWN PILLOW BLOCK BEARINGS

SDP/SI

MAINTENANCE-FREE
CORROSION-RESISTANT
FDA-COMPLIANT
SELF-ALIGNING $\pm 5^\circ$
LOW COST
FOOD, DAIRY, PHARMACEUTICAL &
MARINE APPLICATIONS

PHONE: 516.328.3300 • FAX: 516.326.8827 • WWW.SDP-SI.COM



The projections shown are per ISO convention.

METRIC COMPONENT

Catalog Number	d Shaft Dia. +0.05 0	H Overall Height	L Overall Length	F Overall Width	E Mounting Distance
A 7Z25MPB0619	6.02	19	36.5	9.5	28.5
A 7Z25MPB0629	6.02	28.5	57	9.5	44.5
A 7Z25MPB0829	8.03	28.5	57	11	44.5
A 7Z25MPB1029	10.03	28.5	57	11	44.5
A 7Z25MPB1229	12.03	28.5	57	16	44.5
A 7Z25MPB1240	12.03	39.5	82.5	20	63.5
A 7Z25MPB1540	15.03	39.5	82.5	20	63.5
A 7Z25MPB1640	16.03	39.5	82.5	20	63.5
A 7Z25MPB1840	18.03	39.5	82.5	23	63.5
A 7Z25MPB2040	20.03	39.5	82.5	23	63.5

Catalog Number (Ref.)	T Nominal Flange Thickness	H ₁ Height to Centerline	G Mounting Hole Dia.	Max. Speed rpm	Max. Radial Load N
A 7Z25MPB0619	5	9.5	5	1591	383
A 7Z25MPB0629	6.5	14.5	7	1591	383
A 7Z25MPB0829	6.5	14.5	7	1193	580
A 7Z25MPB1029	6.5	14.5	7	955	725
A 7Z25MPB1229	6.5	14.5	7	795	961
A 7Z25MPB1240	8	19	9	795	1295
A 7Z25MPB1540	8	19	9	636	1690
A 7Z25MPB1640	8	19	9	597	1690
A 7Z25MPB1840	8	19	9	530	1477
A 7Z25MPB2040	8	19	9	477	1477

NOTE: For PTFE-added bearings, add an "F" to the end of the catalog number.

5-77A

1

R

T

1

2

3

4

NEW

6

7

8

9

10

11

12

13

14

15

16

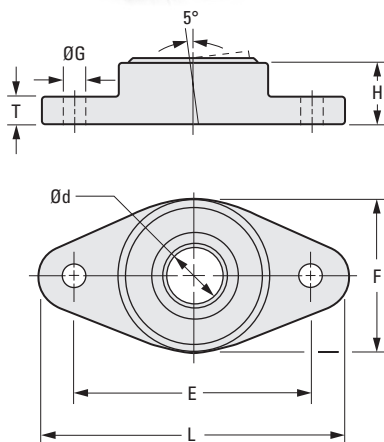
MAINTENANCE-FREE
CORROSION-RESISTANT
FDA COMPLIANT
SELF-ALIGNING $\pm 5^\circ$
LOW COST
FOOD, DAIRY, PHARMACEUTICAL &
MARINE APPLICATIONS

PHONE: 516.328.3300 • FAX: 516.326.8827 • WWW.SDP-SI.COM



> MATERIAL:

- Bearing** - Acetal or Acetal with PTFE added
- Bearing Housing** - Stainless Steel
- Housing** - Electroless Nickel Plated Aluminum



The projections shown are per ISO convention.

METRIC COMPONENT

Catalog Number	d Shaft Dia. +0.05 0	H Overall Height	L Overall Length	F Overall Width	E Mounting Distance
A 7Z26MFB0610	6.02	9.5	41.5	19	32
A 7Z26MFB0811	8.03	11	57	28.5	44.5
A 7Z26MFB1011	10.03	11	57	28.5	44.5
A 7Z26MFB1216	12.03	15.9	82.5	28.5	44.5
A 7Z26MFB1220	12.03	20	82.5	41.5	63.5
A 7Z26MFB1520	15.03	20	82.5	41.5	63.5
A 7Z26MFB1620	16.03	20	82.5	41.5	63.5
A 7Z26MFB1822	18.03	22	82.5	41.5	63.5
A 7Z26MFB2022	20.03	22	82.5	41.5	63.5

Catalog Number (Ref.)	T Nominal Flange Thickness	G Mounting Hole Dia.	Max. Speed rpm	Max. Radial Load N
A 7Z26MFB0610	5	4.5	1591	383
A 7Z26MFB0811	5	7	1193	580
A 7Z26MFB1011	5	7	955	725
A 7Z26MFB1216	5	7	795	1295
A 7Z26MFB1220	6.5	7	795	1295
A 7Z26MFB1520	6.5	10.5	636	1831
A 7Z26MFB1620	6.5	10.5	597	1953
A 7Z26MFB1822	6.5	10.5	530	2627
A 7Z26MFB2022	6.5	10.5	477	2919

NOTE: For PTFE-added bearings, add an "F" to the end of the catalog number.