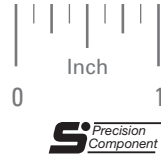


INTERMITTENT MOTION  
4 & 5 POINTS  
1/4 SHAFT

PHONE: 516.328.3300 • FAX: 516.326.8827 • WWW.SDP-SI.COM



**> MATERIAL:**  
303 Stainless Steel

**> DRIVER TRAVEL:**  
Either direction and reversible

Available on special order:  
1/8 & 3/16 shaft units and  
special Geneva Mechanisms

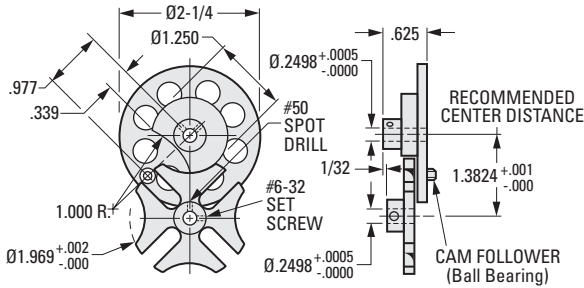


Fig. 1 4 Point

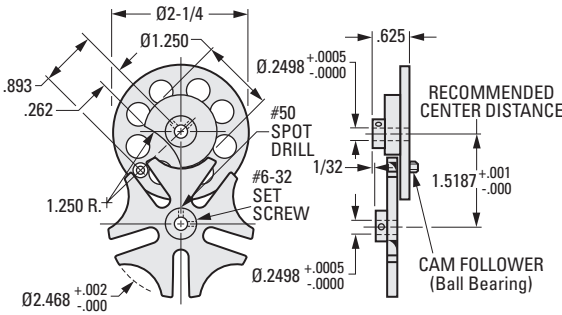


Fig. 2 5 Point



**INCH COMPONENT**

Catalog Number	Fig. No.	Driver Motion	Intermittent Driven Motion	No. of Points	No. of Cam Followers
S9904Y-GIM072	2	360°	72°	5	1
S9904Y-GIM090	1	360°	90°	4	1
S9904Y-GIM090A	1	180°	90°	4	2

- I
- R
- T
- 1
- 2
- 3
- 4
- 5
- 6
- 7
- 8
- 9
- 10
- 11
- 12
- 13
- 14
- 15
- 16

INTERMITTENT MOTION  
6 & 8 POINTS  
1/4 SHAFT

PHONE: 516.328.3300 • FAX: 516.326.8827 • WWW.SDP-SI.COM



**MATERIAL:**  
303 Stainless Steel

**DRIVER TRAVEL:**  
Either direction and reversible

Available on special order:  
1/8 & 3/16 shaft units and  
special Geneva Mechanisms

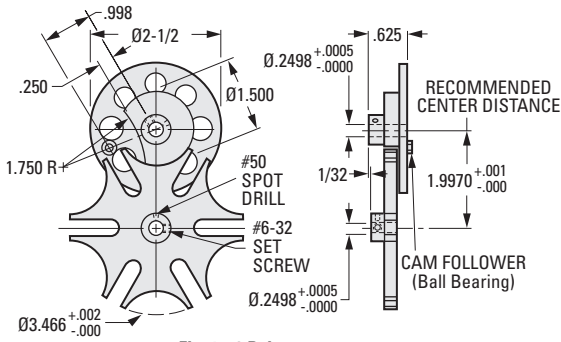


Fig. 1 6 Point

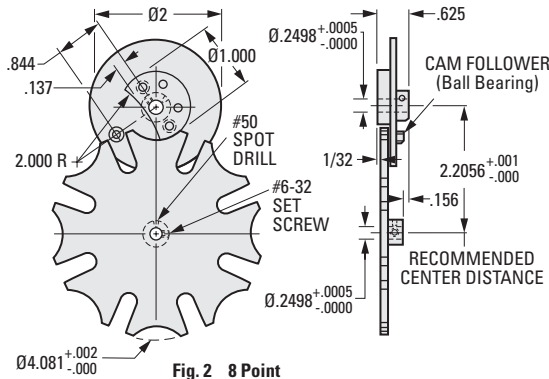
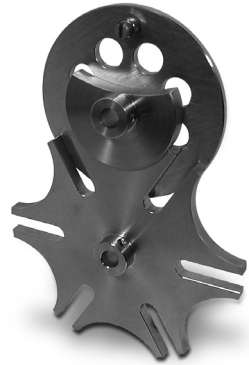


Fig. 2 8 Point



INCH COMPONENT

Catalog Number	Fig. No.	Driver Motion	Intermittent Driven Motion	No. of Points
S9904Y-GIM045	2	360°	45°	8
S9904Y-GIM060	1	360°	60°	6