

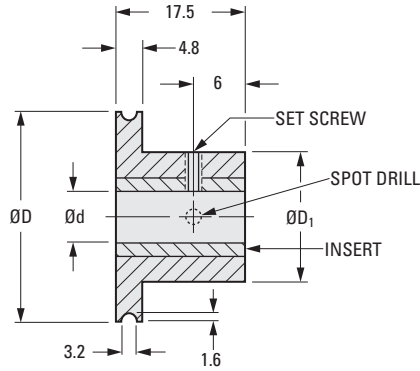
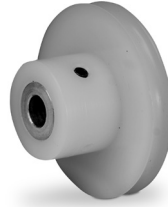
GROOVED PULLEYS

SDP/SI

FOR 3 mm ROUND BELTS
MOLDED WITH INSERT
4.8 mm FACE

PHONE: 516.328.3300 • FAX: 516.326.8827 • WWW.SDP-SI.COM

> MATERIAL:
Body - Acetal
Insert - Brass



METRIC COMPONENT

Catalog Number	D Dia.	d Bore +0.025 0	D ₁ Hub Dia.	Set Screw
A 6T10M121304	12.7	4	16	M3
A 6T10M121904	19.1	4	16	M3
A 6T10M122504	25.4	4	16	M3
A 6T10M123804	38.1	4	19	M3
A 6T10M125104	50.8	4	25	M3
A 6T10M121306	12.7	6	16	M3
A 6T10M121906	19.1	6	16	M3
A 6T10M122506	25.4	6	16	M3
A 6T10M123806	38.1	6	19	M3
A 6T10M125106	50.8	6	25	M3
A 6T10M121308	12.7	8	16	M4
A 6T10M121908	19.1	8	16	M4
A 6T10M122508	25.4	8	16	M4
A 6T10M125108	50.8	8	25	M4

I

R

T

1

2

3

4

5

6

7

8

9

10

11

12

13

14

15

A