

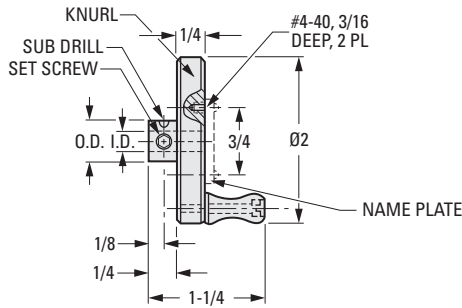
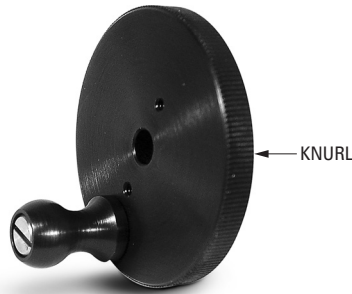
2 INCH DIAMETER

PHONE: 516.328.3300 • FAX: 516.326.8827 • WWW.SDP-SI.COM

**> MATERIAL:**

2024 Aluminum, Black Anodized

Other bores are available on special order.  
Name plates can be ordered separately.



**INCH COMPONENT**

Catalog Number	I.D. +.0005 -.0000	Hub O.D.	Set Screw	Sub Drill
S5901Y-GU-1	.1248	.312	#2-56	.029
S5901Y-GU-2	.1873	.375	#4-40	.040
S5901Y-GU-3	.2498	.500	#6-32	.086

- I
- R
- T
- 1
- 2
- 3
- 4
- 5
- 6
- 7
- 8
- 9
- 10
- 11
- 12
- 13
- 14
- 15
- 16