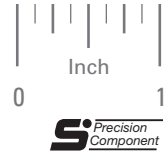


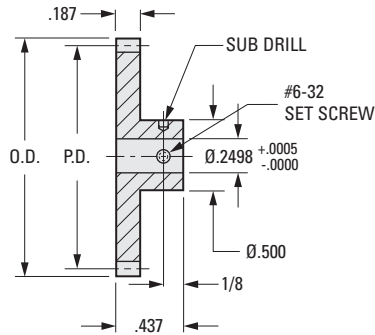
AGMA 10
 3/16 FACE
 1/4 BORE
 RIGHT- AND LEFT-HAND
 45° HELICAL ANGLE
 20° PRESSURE ANGLE



MATERIAL:

303 Stainless Steel
 2024 Aluminum, Anodized
 T4 or T351 Aluminum Alloy,
 anodized before cutting.

Available on special order:
 Teeth not listed, different bore and/or
 material, passivation for Stainless Steel.



INCH COMPONENT		No. of Teeth	P.D.	O.D.
Catalog Number				
Right-Hand	Left-Hand			
303 Stainless Steel				
S1R86Z-P048S020	S1L86Z-P048S020	20	.5892	.631
S1R86Z-P048S025	S1L86Z-P048S025	25	.7365	.778
S1R86Z-P048S030	S1L86Z-P048S030	30	.8838	.925
S1R86Z-P048S035	S1L86Z-P048S035	35	1.0311	1.072
S1R86Z-P048S040	S1L86Z-P048S040	40	1.1784	1.220
S1R86Z-P048S045	S1L86Z-P048S045	45	1.3258	1.367
S1R86Z-P048S050	S1L86Z-P048S050	50	1.4730	1.514
S1R86Z-P048S060	S1L86Z-P048S060	60	1.7676	1.809
S1R86Z-P048S070	S1L86Z-P048S070	70	2.0622	2.104
S1R86Z-P048S080	S1L86Z-P048S080	80	2.3568	2.398
S1R86Z-P048S090	S1L86Z-P048S090	90	2.6516	2.693
S1R86Z-P048S100	S1L86Z-P048S100	100	2.9460	2.987
2024 Aluminum, Anodized				
S1R86Z-P048A020	S1L86Z-P048A020	20	.5892	.631
S1R86Z-P048A025	S1L86Z-P048A025	25	.7365	.778
S1R86Z-P048A030	S1L86Z-P048A030	30	.8838	.925
S1R86Z-P048A035	S1L86Z-P048A035	35	1.0311	1.072
S1R86Z-P048A040	S1L86Z-P048A040	40	1.1784	1.220
S1R86Z-P048A045	S1L86Z-P048A045	45	1.3258	1.367
S1R86Z-P048A050	S1L86Z-P048A050	50	1.4730	1.514
S1R86Z-P048A060	S1L86Z-P048A060	60	1.7676	1.809
S1R86Z-P048A070	S1L86Z-P048A070	70	2.0622	2.104
S1R86Z-P048A080	S1L86Z-P048A080	80	2.3568	2.398
S1R86Z-P048A090	S1L86Z-P048A090	90	2.6516	2.693
S1R86Z-P048A100	S1L86Z-P048A100	100	2.9460	2.987

RIGHT- AND LEFT-HAND
45° HELIX
14-1/2° PRESSURE ANGLE

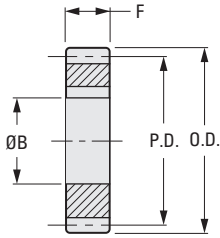
PHONE: 516.328.3300 • FAX: 516.326.8827 • WWW.SDP-SI.COM



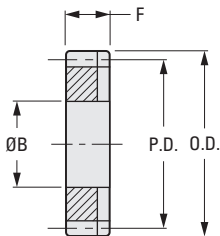
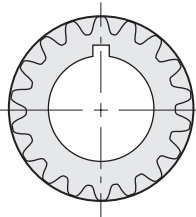
> MATERIAL:

Steel (Hardened)

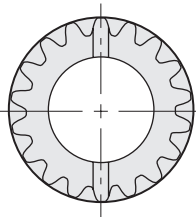
Gears other than standard stock sizes are available on special order.



Regular Key Slot



***Face Key Slot**



INCH COMPONENT		No. of Teeth	P.D.	O.D.	B Bore +.0010 -.0000	F Face Width	Keyway Width x Depth
Catalog Number **							
Right-hand	Left-hand						
28.28 Normal Diametral Pitch							
—	*A 1C 7-N20010L	10	.500	.571	.3125	9/16	3/32 x 3/32
A 1C 7-N20025R	—	25	1.250	1.321	.6250	3/8	1/8 x 1/16

For 25 teeth, only O.D. hardened.

* Face key slot cut on end of gear.

** To be discontinued when present stock is depleted.

- I
- R
- T
- 1**
- 2
- 3
- 4
- 5
- 6
- 7
- 8
- 9
- 10
- 11
- 12
- 13
- 14
- 15
- 16