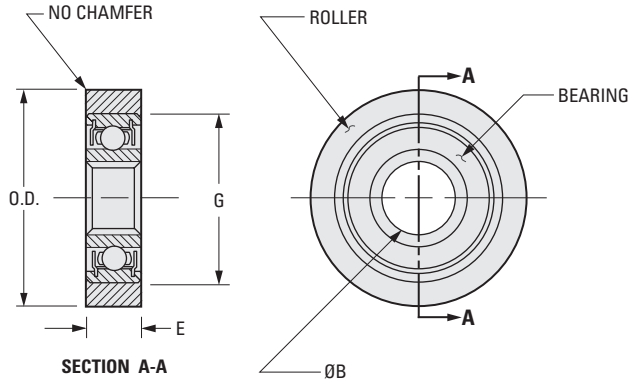


URETHANE SURFACE
WITH DOUBLE-SHIELDED ABEC 3 BEARING

PHONE: 516.328.3300 • FAX: 516.326.8827 • WWW.SDP-SI.COM

MATERIAL:

- Roller** - Urethane 60 Durometer
Ground Outside Diameter
- Bearing, Double-Shielded** - Stainless Steel



INCH COMPONENT

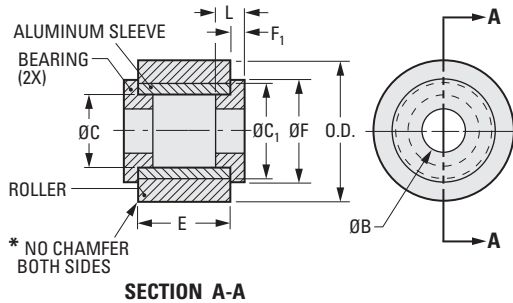
Catalog Number	O.D. ± .003	B Bore +.0000 -.0002	E Face Width ± .010	G
A 7Z 8-URBB05018	.500	.1875	.125	.375
A 7Z 8-URBB07518	.750	.1875	.125	.375
A 7Z 8-URBB06225	.625	.2500	.187	.500
A 7Z 8-URBB07525	.750	.2500	.187	.500
A 7Z 8-URBB11237	1.125	.3750	.281	.875
A 7Z 8-URBB15037	1.500	.3750	.281	.875
A 7Z 8-URBB11250	1.125	.5000	.281	.875
A 7Z 8-URBB15050	1.500	.5000	.281	.875

URETHANE SURFACE
WITH POLYMER BEARING

PHONE: 516.328.3300 • FAX: 516.326.8827 • WWW.SDP-SI.COM

> MATERIAL:

- Roller** - Urethane 60 Durometer
Ground Outside Diameter
- Sleeve** - Aluminum Alloy
- Bearing** - M250® Polymer



INCH COMPONENT

Catalog Number	O.D.	B Bore	E Face Width ±.010	L Bearing Length	F Flange Dia.	F ₁ Flange Thickness Ref.	C Sleeve I.D.	C ₁ Sleeve O.D.
A 7ZB5-URG05025A	.500	.1250 ^{+0.0030} _{+0.0012}	.250	.1250	.360	.047	.250	.344
A 7ZB5-URG05025B	.500		.718	.1875	.360	.047	.250	.344
A 7ZB5-URG05025C	.500		.500	.1250	.360	.047	.250	.344
A 7ZB5-URG06737	.672	.2500 ^{+0.0039} _{+0.0016}	.250	.1250	.560	.047	.375	.500
A 7ZB5-URG07537	.750		.500	.1250	.560	.047	.375	.500
*A 7ZB5-URG08137	.813		.500	.1250	.560	.047	.375	.500
A 7ZB5-URG09237	.922		.484	.1250	.560	.047	.375	.688
A 7ZB5-URG11237A	1.125		.438	.1250	.560	.047	.375	.500
A 7ZB5-URG11237B	1.125		.688	.1250	.560	.047	.375	.500
A 7ZB5-URG19837	1.988	.688	.1250	.625	.062	.375	1.375	
A 7ZB5-URG19850A	1.988	.3750 ^{+0.0039} _{+0.0016}	.750	.1875	.625	.062	.625	1.375
A 7ZB5-URG19850B	1.988		1.000	.1875	.625	.062	.625	1.375

* Catalog Number A 7ZB5-URG08137 has .062 x 45° chamfer on both sides.

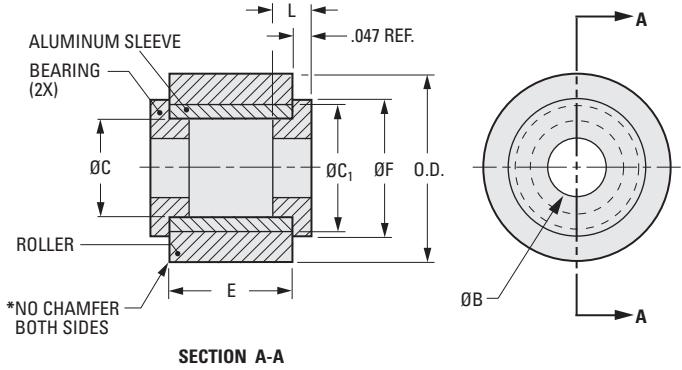
NEOPRENE SURFACE
WITH POLYMER BEARING

PHONE: 516.328.3300 • FAX: 516.326.8827 • WWW.SDP-SI.COM



MATERIAL:

- Roller** - Neoprene 60 Durometer, Black
Ground Outside Diameter
- Sleeve** - Aluminum Alloy
- Bearing** - M250® Polymer



INCH COMPONENT

Catalog Number	O.D.	B Bore	E Face Width ± .010	L Bearing Length	F Flange Dia.	C Sleeve I.D.	C ₁ Sleeve O.D.
A 7ZB5-IRG05025B	.500	.2500 ^{+.0039} _{+.0016}	.718	.1875	.360	.250	.344
*A 7ZB5-IRG06737	.672		.250	.1250	.560	.375	.500
A 7ZB5-IRG07537	.750		.500	.1250	.560	.375	.500
A 7ZB5-IRG08137	.813		.500	.1250	.560	.375	.500
A 7ZB5-IRG09237	.922		.484	.1250	.560	.375	.688
A 7ZB5-IRG11237A	1.125		.438	.1250	.560	.375	.500
A 7ZB5-IRG11237B	1.125		.688	.1250	.560	.375	.500
A 7ZB5-IRG19837	1.988		.688	.1250	.560	.375	1.375

* Catalog Number A 7ZB5-IRG06737 has .062 x 45° chamfer on both sides.

I

R

T

1

2

3

4

5

6

7

8

9

10

11

12

13

14

15

16

WITH SINTERED BRONZE BEARING
NEOPRENE OR URETHANE SURFACE

PHONE: 516.328.3300 • FAX: 516.326.8827 • WWW.SDP-SI.COM



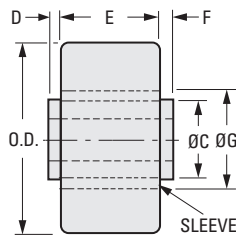
> MATERIAL:

- Roller** - Neoprene or Urethane 60 Durometer
Ground Outside Diameter
- Sleeve** - Aluminum
- Bearing** - Sintered Bronze

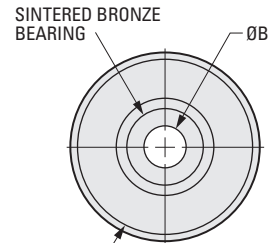


Fig. 1

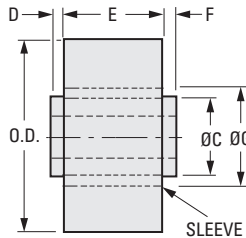
Fig. 2



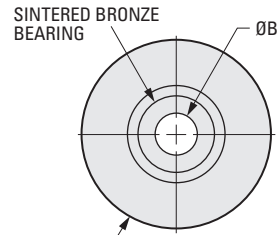
**Fig. 1
With Chamfer**



SINTERED BRONZE BEARING
NEOPRENE OR URETHANE VULCANIZED TO SLEEVE



**Fig. 2
Without Chamfer**



SINTERED BRONZE BEARING
URETHANE VULCANIZED TO SLEEVE

INCH COMPONENT

Catalog Number				O.D.	B Bore +.0015 -.0000	E Face Width ± .010	C Dia.	G Dia.	D	F
Neoprene	Fig.	Urethane Δ	Fig.							
A 7Z 5-IR0512	1	A 7Z 5-UR0512	2	1/2	1/8	23/32	1/4	11/32	1/32	1/32
A 7Z 5-IR0625	1	A 7Z 5-UR0625	2	43/64	1/4	1/4	3/8	1/2	—	—
A 7Z 5-IR0718	1	A 7Z 5-UR0718	2	3/4	3/16	1/2	3/8	1/2	1/32	—
A 7Z 5-IR0721	1	A 7Z 5-UR0721	2	3/4	7/32	1/2	7/16	1/2	1/64	1/64
A 7Z 5-IR0825	1	A 7Z 5-UR0825	1	13/16	1/4	1/2	3/8	1/2	1/64	1/64
A 7Z 5-IR0925	1	A 7Z 5-UR0925	2	59/64	1/4	31/64	3/8	11/16	1/64	3/32
A 7Z 5-IR1015	1	A 7Z 5-UR1015	2	1-3/32	5/32	9/16	25/64	1/2	1/32	1/32
A 7Z 5-IR1125	1	A 7Z 5-UR1125	2	1-1/8	1/4	7/16	3/8	1/2	1/32	—
A 7Z 5-IR1125W	1	A 7Z 5-UR1125W	2	1-1/8	1/4	11/16	3/8	1/2	1/32	1/32
*A 7Z 5-IR1937	1	A 7Z 5-UR1937	2	1.988	—	.687	3/8	1-3/8	—	—

* Supplied less bearing.

Δ Urethane Idler Rollers will be supplied with chamfer until present stock is depleted.

After depletion, they will be sold without chamfer except for catalog number A 7Z 5-UR0825.

I

IDLERS

SDPSI

ALL STAINLESS STEEL CONSTRUCTION

PHONE: 516.328.3300 • FAX: 516.326.8827 • WWW.SDP-SI.COM

R

MATERIAL:

Shaft - 303 Stainless Steel

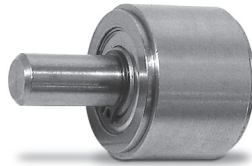
Bearing - 440C Stainless Steel

Hardware - 300 Series Stainless Steel



T

1

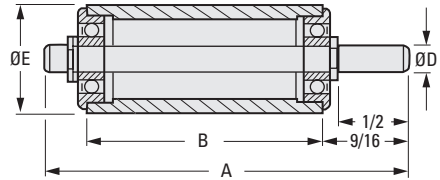


2

3

4

5



6

INCH COMPONENT

Catalog Number	A	B	D Shaft Dia. +.0000 -.0002	E Dia.
A 7Y 5-IS3118	1.25	.500	.1872	3/8
A 7Y 5-IS3718	1.25	.500	.1872	1/2
A 7Y 5-IS5018	1.25	.500	.1872	5/8
A 7Y 5-IS3725	1.25	.500	.2497	1/2
A 7Y 5-IS5025	1.25	.500	.2497	5/8
A 7Y 5-IS6225	1.25	.500	.2497	3/4
A 7Y 5-IL3118	1.75	1.000	.1872	3/8
A 7Y 5-IL3718	1.75	1.000	.1872	1/2
A 7Y 5-IL5018	1.75	1.000	.1872	5/8
A 7Y 5-IL3725	1.75	1.000	.2497	1/2
A 7Y 5-IL5025	1.75	1.000	.2497	5/8
A 7Y 5-IL6225	1.75	1.000	.2497	3/4

7

8

9

10

11

12

13

14

15

16

LOW COST IDLERS



STAINLESS STEEL HOUSING
SINTERED BRONZE BEARINGS

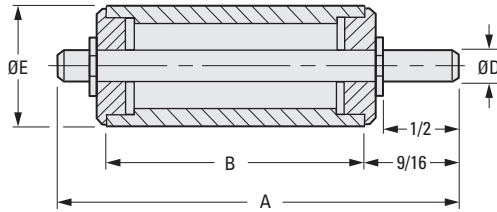
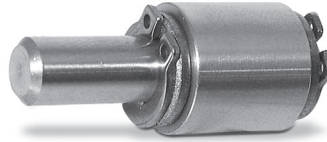
PHONE: 516.328.3300 • FAX: 516.326.8827 • WWW.SDP-SI.COM



> MATERIAL:

- Shaft** - 303 Stainless Steel
- Housing** - 303 Series Stainless Steel
- Bearings** - Sintered Bronze

Other sizes available on special order.



INCH COMPONENT

Catalog Number	A	B	D Shaft Dia. +.0000 -.0002	E Dia.
*S7AYPA-05020303	1.25	.500	.1872	3/8
S7AYPA-05020304	1.25	.500	.1872	1/2
S7AYPA-05020404	1.25	.500	.2497	1/2
S7AYPA-05020406	1.25	.500	.2497	3/4
S7AYPA-07040304	1.75	1.000	.1872	1/2
S7AYPA-07040305	1.75	1.000	.1872	5/8
S7AYPA-07040406	1.75	1.000	.2497	3/4

* Retaining ring clearance diameter exceeds idler O.D.

I

R

T

1

2

3

4

5

6

7

8

9

10

11

12

13

14

15

16