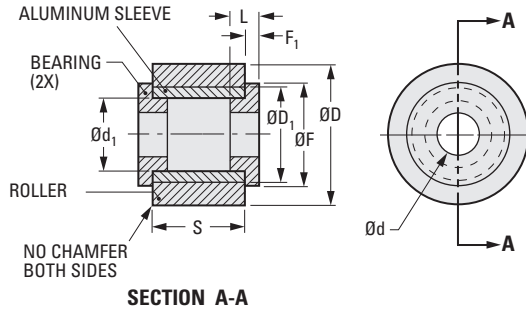


URETHANE SURFACE  
WITH SINTERED BRONZE BEARING

PHONE: 516.328.3300 • FAX: 516.326.8827 • WWW.SDP-SI.COM

**> MATERIAL:**

- Roller** - Urethane 60 Durometer  
Ground Outside Diameter
- Sleeve** - Aluminum Alloy
- Bearing** - Sintered Bronze



**METRIC COMPONENT**

Catalog Number	D O.D.	d Bore +0.038 0	S Face Width $\pm 0.25$	L Bearing Length	F Flange Dia.	F <sub>1</sub> Flange Thickness	d <sub>1</sub> Sleeve I.D.	D <sub>1</sub> Sleeve O.D.
A 7Z 5MUR1203A	12	3	6.35	4	9	1.5	6	8.74
A 7Z 5MUR1203B	12	3	18.2	4	9	1.5	6	8.74
A 7Z 5MUR1203C	12	3	12.7	4	9	1.5	6	8.74
A 7Z 5MUR1706	17	6	6.35	4	14	2	10	12.7
A 7Z 5MUR1906	19	6	12.7	4	14	2	10	12.7
A 7Z 5MUR2006	20	6	12.7	4	14	2	10	12.7
A 7Z 5MUR2306	23	6	12.3	4	14	2	10	17.47
A 7Z 5MUR2806A	28	6	11.12	4	14	2	10	12.7
A 7Z 5MUR2806B	28	6	17.47	4	14	2	10	12.7
A 7Z 5MUR5006	50	6	17.47	4	16	3	10	34.92
A 7Z 5MUR5008A	50	8	19.05	8	16	3	12	34.92
A 7Z 5MUR5008B	50	8	25.4	8	16	3	12	34.92



# IDLER ROLLERS



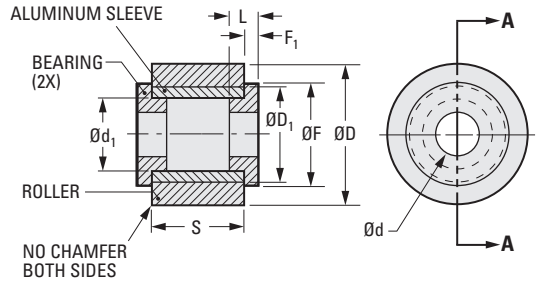
URETHANE SURFACE  
WITH POLYMER BEARING

PHONE: 516.328.3300 • FAX: 516.326.8827 • WWW.SDP-SI.COM



**> MATERIAL:**

- Roller** - Urethane 60 Durometer  
Ground Outside Diameter
- Sleeve** - Aluminum Alloy
- Bearing** - M250® Polymer



**SECTION A-A**

**METRIC COMPONENT**

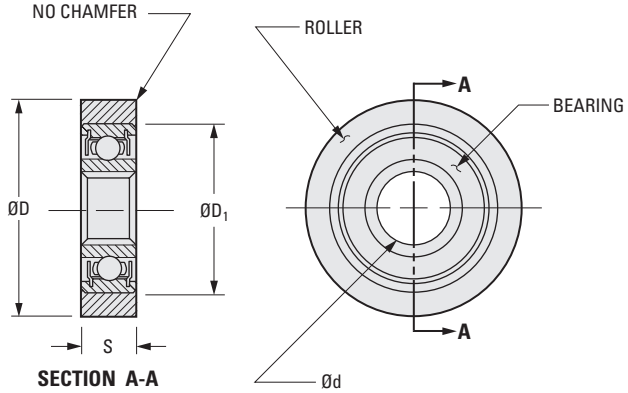
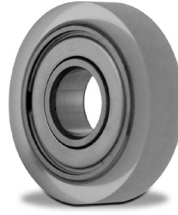
Catalog Number	D O.D.	d Bore	S Face Width ± 0.25	L Bearing Length	F Flange Dia.	F <sub>1</sub> Flange Thickness Ref.	d <sub>1</sub> Sleeve I.D.	D <sub>1</sub> Sleeve O.D.
A 7ZB5MURG1203A	12	3 <sup>+0.080</sup> <sub>+0.020</sub>	6.35	4	9	1.5	6	8.74
A 7ZB5MURG1203B	12		18.2	4	9	1.5	6	8.74
A 7ZB5MURG1203C	12		12.7	4	9	1.5	6	8.74
A 7ZB5MURG1706	17	6 <sup>+0.105</sup> <sub>+0.030</sub>	6.35	4	14	2	10	12.7
A 7ZB5MURG1906	19		12.7	4	14	2	10	12.7
A 7ZB5MURG2006	20		12.7	4	14	2	10	12.7
A 7ZB5MURG2306	23		12.3	4	14	2	10	17.47
A 7ZB5MURG2806A	28		11.12	4	14	2	10	12.7
A 7ZB5MURG2806B	28		17.47	4	14	2	10	12.7
A 7ZB5MURG5006	50	8 <sup>+0.120</sup> <sub>+0.040</sub>	17.47	4	16	2	10	34.92
A 7ZB5MURG5008A	50		19.05	6	16	2	12	34.92
A 7ZB5MURG5008B	50		25.4	6	16	2	12	34.92

URETHANE SURFACE  
WITH DOUBLE-SHIELDED ABEC 3 BEARING

PHONE: 516.328.3300 • FAX: 516.326.8827 • WWW.SDP-SI.COM

**> MATERIAL:**

- Roller** - Urethane 60 Durometer  
Ground Outside Diameter
- Bearing, Double-Shielded** - Stainless Steel



**METRIC COMPONENT**

Catalog Number	D Dia. ± 0.075	d Bore 0 -0.005	S Face Width ± 0.25	D <sub>1</sub> Dia.
A 7Z 8MURBB1205	12	5	3	9
A 7Z 8MURBB1905	19	5	3	9
A 7Z 8MURBB1606	16	6	5	13
A 7Z 8MURBB1906	19	6	5	13
A 7Z 8MURBB2810	28	10	7	19
A 7Z 8MURBB3810	38	10	7	19
A 7Z 8MURBB3812	38	12	8	28
A 7Z 8MURBB4412	44	12	8	28

- I
- R
- T
- 1
- 2
- 3
- 4
- 5
- 6
- 7
- 8
- 9
- 10
- 11
- 12
- 13
- 14
- 15
- A