

1.6 mm FACE

> MATERIAL:

Ladder Chain - Stainless Steel
Sprockets - Brass, Acetal or Stainless Steel

> SPECIFICATION:

These sprockets are the same pitch as the sprockets (A 6X 7) series shown in this catalog. However, they cannot be used with the A 6X 7 series chains. The A 6X 8M375 chain can be used with both A 6B 8M as well as A 6X 7 series sprockets.

Bore Tolerance:
 3 mm +0.014/0
 4, 5 & 6 mm +0.018/0
 For Stainless Steel
 3 mm +0.025/0
 4, 5 & 6 mm +0.030/0

> MATERIAL CODE:

- B Brass
- P Acetal Δ
- X Stainless Steel

Δ Acetal sprockets do not have a threaded hole for a set screw

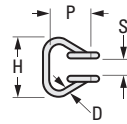


Fig. 1

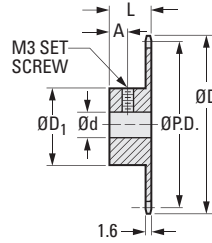


Fig. 2

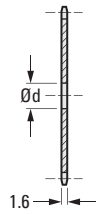


Fig. 3

METRIC COMPONENT

Catalog Number	P Pitch Nom.	Links Per Meter	D Wire Dia.	H Outside Width	s Inside Width	Yield Point N
Fig. 1 Ladder Chain - Priced per Meter						
A 6Y 8M375	3.75	267	0.8	5.8	2	304

Catalog Number	No. of Teeth	P.D.	D Dia.	d Bore	L	D ₁ Hub Dia.	A
Fig. 2 Sprockets With Hub (See above for Material Code)							
A 6 8MHK3710	10	12.12	13.8	3	9.6	9.5	4
A 6 8MHK3711	11	13.3	15	3	9.6	9.5	4
A 6 8MHK3712	12	14.48	16.2	3	9.6	10	4
A 6 8MHK3713	13	15.66	17.5	3	9.6	11	4
A 6 8MHK3714	14	16.84	18.7	4	9.6	12	4
A 6 8MHK3715	15	18.02	19.9	4	9.6	14	4
A 6 8MHK3716	16	19.2	21.1	4	9.6	14	4
A 6 8MHK3718	18	21.58	23.5	4	9.6	16	4
A 6 8MHK3720	20	23.95	25.8	5	11.6	18	5
A 6 8MHK3722	22	26.33	28.3	5	11.6	20	5
A 6 8MHK3724	24	28.7	30.6	5	11.6	20	5
A 6 8MHK3726	26	31.08	33	6	11.6	20	5
A 6 8MHK3728	28	33.46	35.3	6	11.6	20	5
A 6 8MHK3730	30	35.84	37.7	6	11.6	20	5

Fig. 3 Sprockets Plain *							
A 6B 8MYK3732	32	38.22	40.1	8	-	-	-
A 6B 8MYK3734	34	40.61	42.5	8	-	-	-
A 6B 8MYK3736	36	42.99	44.9	8	-	-	-
A 6B 8MYK3740	40	47.75	49.6	8	-	-	-
A 6B 8MYK3748	48	57.28	59.2	8	-	-	-

* To be discontinued when present stock is depleted

SIZE 21
 MOLDED WITH METAL INSERT
 1.7 mm FACE

PHONE: 516.328.3300 • FAX: 516.326.8827 • WWW.SDP-SI.COM

► **MATERIAL:**

Ladder Chain - Tinned Steel, High-Tensile Steel or Stainless Steel
Sprockets - Acetal, Black
Insert - Brass, Knurled

► **SPECIFICATION:**

Sprockets with:
 3 mm & 4 mm bore have an M2.5 set screw & spot drill.
 5 mm & 6 mm bore have an M3 set screw & spot drill.

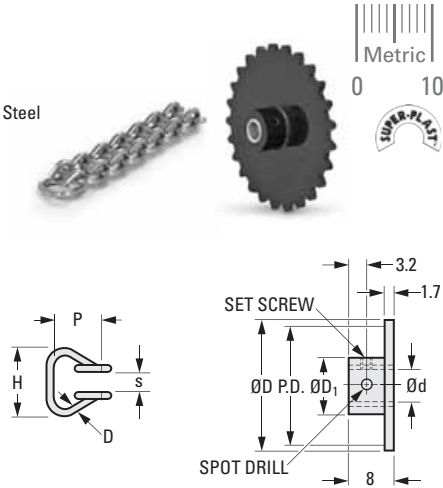


Fig. 1

Fig. 2

METRIC COMPONENT

Catalog Number	Material	P Pitch	Links Per Meter	D Wire Dia.	H Outside Width	s Inside Width	Yield Point N
Fig. 1 Ladder Chain - Priced per Meter							
A 6C 8M21	Steel, Tinned	4.24	236	0.8	5.6	2	78
A 6C88M21	High-Tensile Steel	4.24	236	0.8	5.6	2	157
A 6Y 8M21	Stainless Steel	4.24	236	0.8	5.6	2	78

Catalog Number	No. of Teeth	P.D.	D Dia.	d Bore Dia. +0.025 0	D ₁ Hub Dia.
Fig. 2 Sprockets					
A 6Z 8M211003	10	13.7	16.8	3	9.4
A 6Z 8M211004	10	13.7	16.8	4	9.4
A 6Z 8M211203	12	16.4	19.8	3	9.4
A 6Z 8M211204	12	16.4	19.8	4	9.4
A 6Z 8M211303	13	17.7	21.1	3	9.4
A 6Z 8M211304	13	17.7	21.1	4	9.4
A 6Z 8M211403	14	19	22.3	3	9.4
A 6Z 8M211404	14	19	22.3	4	9.4
A 6Z 8M211503	15	20.4	23.9	3	9.4
A 6Z 8M211504	15	20.4	23.9	4	9.4
A 6Z 8M211604	16	21.7	25.1	4	12.5
A 6Z 8M211606	16	21.7	25.1	6	12.5
A 6Z 8M211805	18	24.4	27.7	5	12.5
A 6Z 8M211806	18	24.4	27.7	6	12.5
A 6Z 8M212006	20	27.1	30.5	6	12.5
A 6Z 8M212008	20	27.1	30.5	8	12.5
A 6Z 8M212105	21	28.4	31.8	5	12.5

Catalog Number	No. of Teeth	P.D.	D Dia.	d Bore Dia. +0.025 0	D ₁ Hub Dia.
Fig. 2 Sprockets					
A 6Z 8M212106	21	28.4	31.8	6	12.5
A 6Z 8M212205	22	29.8	33	5	12.5
A 6Z 8M212206	22	29.8	33	6	12.5
A 6Z 8M212405	24	32.4	35.8	5	12.5
A 6Z 8M212406	24	32.4	35.8	6	12.5
A 6Z 8M212505	25	33.8	37.1	5	12.5
A 6Z 8M212506	25	33.8	37.1	6	12.5
A 6Z 8M213005	30	40.5	44	5	12.5
A 6Z 8M213006	30	40.5	44	6	12.5
A 6Z 8M213205	32	43.2	46.7	5	12.5
A 6Z 8M213206	32	43.2	46.7	6	12.5
A 6Z 8M213605	36	48.6	52.1	5	12.5
A 6Z 8M213606	36	48.6	52.1	6	12.5
A 6Z 8M214005	40	54	57.4	5	12.5
A 6Z 8M214006	40	54	57.4	6	12.5
A 6Z 8M214805	48	64.7	68.1	5	12.5
A 6Z 8M214806	48	64.7	68.1	6	12.5

SIZE 21
MOLDED
1.7 mm FACE

PHONE: 516.328.3300 • FAX: 516.326.8827 • WWW.SDP-SI.COM

► **MATERIAL:**

Ladder Chain - Tinned Steel, High-Tensile Steel or Stainless Steel
Sprockets - Acetal, Black

► **SPECIFICATION:**

Bore is sized for press fit on standard shafting.
Use straight knurl on shafting for maximum torques.

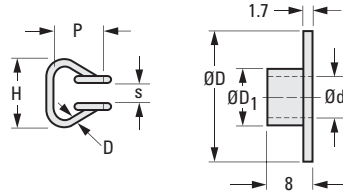


Fig. 1

Fig. 2

METRIC COMPONENT

Catalog Number	Material	P Pitch	Links Per Meter	D Wire Dia.	H Outside Width	s Inside Width	Yield Point N
Fig. 1 Ladder Chain - Priced per Meter							
A 6C 8M21	Steel, Tinned	4.24	236	0.8	5.6	2	78
A 6C8M21	High-Tensile Steel	4.24	236	0.8	5.6	2	157
A 6Y 8M21	Stainless Steel	4.24	236	0.8	5.6	2	78

Catalog Number	No. of Teeth	P.D.	D Dia.	d Bore Nom.	D ₁ Hub Dia.
Fig. 2 Sprockets					
A 6M 8M210603	6	8.5	11.9	3	6.2
A 6M 8M210803	8	11.1	14.2	3	6.2
A 6M 8M211003	10	13.7	16.8	3	6.2
A 6M 8M211004	10	13.7	16.8	4	7.9
A 6M 8M211006	10	13.7	16.8	6	9.4
A 6M 8M211203	12	16.4	19.8	3	6.2
A 6M 8M211204	12	16.4	19.8	4	7.9
A 6M 8M211206	12	16.4	19.8	6	9.4
A 6M 8M211303	13	17.7	21	3	6.2
A 6M 8M211304	13	17.7	21	4	7.9
A 6M 8M211306	13	17.7	21	6	9.4
A 6M 8M211403	14	19	22.4	3	6.2
A 6M 8M211503	15	20.4	23.9	3	6.2
A 6M 8M211504	15	20.4	23.9	4	7.9
A 6M 8M211506	15	20.4	23.9	6	9.4
A 6M 8M211603	16	21.7	25.1	3	6.2
A 6M 8M211604	16	21.7	25.1	4	7.9
A 6M 8M211606	16	21.7	25.1	6	9.4
A 6M 8M211609	16	21.7	25.1	9	12.4

Catalog Number	No. of Teeth	P.D.	D Dia.	d Bore Nom.	D ₁ Hub Dia.
Fig. 2 Sprockets					
A 6M 8M212003	20	27.1	30.5	3	6.2
A 6M 8M212004	20	27.1	30.5	4	7.9
A 6M 8M212006	20	27.1	30.5	6	9.4
A 6M 8M212009	20	27.1	30.5	9	12.4
A 6M 8M212204	22	29.8	33	4	7.9
A 6M 8M212206	22	29.8	33	6	9.4
A 6M 8M212209	22	29.8	33	9	12.4
A 6M 8M212404	24	32.4	35.8	4	7.9
A 6M 8M212406	24	32.4	35.8	6	9.4
A 6M 8M213004	30	40.5	43.9	4	7.9
A 6M 8M213006	30	40.5	43.9	6	9.4
A 6M 8M213009	30	40.5	43.9	9	12.4
A 6M 8M213206	32	43.2	46.7	6	9.4
A 6M 8M213209	32	43.2	46.7	9	12.4
A 6M 8M213606	36	48.6	52.1	6	9.4
A 6M 8M213609	36	48.6	52.1	9	12.4
A 6M 8M214006	40	54	57.4	6	9.4
A 6M 8M214009	40	54	57.4	9	12.4
A 6M 8M214809	48	64.7	68.1	9	12.4

SIZE 19
 MOLDED WITH METAL INSERT
 2.5 mm FACE

PHONE: 516.328.3300 • FAX: 516.326.8827 • WWW.SDP-SI.COM

► **MATERIAL:**

Ladder Chain - Steel or Brass, High-Tensile Steel, Stainless Steel

Sprockets - Acetal, Black

Insert - Brass, Knurled

► **SPECIFICATION:**

Sprockets with:

4 mm bore have an M2.5 set screw & spot drill

6 mm bore have an M3 set screw & spot drill

8 mm bore have an M4 set screw & spot drill

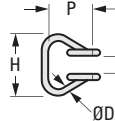


Fig. 1

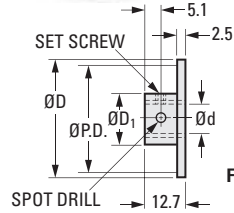


Fig. 2

METRIC COMPONENT

Catalog Number	Material	P Pitch	Links Per Meter	D Wire Dia.	H Outside Width	s Inside Width	Yield Point N
Fig. 1 Ladder Chain - Priced per Meter							
A 6C 8M19	Steel	4.7	213	1.04	7.7	3	133
A 6C88M19	High-Tensile Steel	4.7	213	1.04	7.7	3	245
A 6B 8M19	Brass	4.7	213	1.04	7.7	3	80.4
A 6Y 8M19	Stainless Steel	4.7	213	1.04	7.7	3	133

Catalog Number	No. of Teeth	P.D.	D Dia.	d Bore +0.025 0	D1 Hub Dia.
Fig. 2 Sprockets					
A 6Z 8M192004	20	30	34.3	4	15.8
A 6Z 8M192006	20	30	34.3	6	15.8
A 6Z 8M192204	22	33	37.3	4	15.8
A 6Z 8M192206	22	33	37.3	6	15.8
A 6Z 8M192208	22	33	37.3	8	19
A 6Z 8M192404	24	36	40.3	4	15.8
A 6Z 8M192406	24	36	40.3	6	15.8
A 6Z 8M192408	24	36	40.3	8	19
A 6Z 8M192504	25	37.4	41.7	4	15.8
A 6Z 8M192506	25	37.4	41.7	6	15.8
A 6Z 8M192508	25	37.4	41.7	8	19
A 6Z 8M193004	30	44.9	49.2	4	15.8
A 6Z 8M193006	30	44.9	49.2	6	15.8
A 6Z 8M193008	30	44.9	49.2	8	19
A 6Z 8M193204	32	47.9	52.2	4	15.8
A 6Z 8M193206	32	47.9	52.2	6	15.8
A 6Z 8M193208	32	47.9	52.2	8	19
A 6Z 8M193604	36	53.8	58.1	4	15.8
A 6Z 8M193606	36	53.8	58.1	6	15.8
A 6Z 8M193608	36	53.8	58.1	8	19
A 6Z 8M194004	40	59.8	64.1	4	15.8
A 6Z 8M194006	40	59.8	64.1	6	15.8
A 6Z 8M194008	40	59.8	64.1	8	19
A 6Z 8M194804	48	71.7	76	4	15.8
A 6Z 8M194806	48	71.7	76	6	15.8
A 6Z 8M194808	48	71.7	76	8	19
A 6Z 8M195404	54	80.6	85	4	15.8
A 6Z 8M195406	54	80.6	85	6	15.8
A 6Z 8M195408	54	80.6	85	8	19
A 6Z 8M196008	60	89.6	93.9	8	19
A 6Z 8M197208	72	107.5	111.8	8	19

2 mm FACE

PHONE: 516.328.3300 • FAX: 516.326.8827 • WWW.SDP-SI.COM

➤ **MATERIAL:**

Ladder Chain - High-Tensile Steel or Stainless Steel
Sprockets - Brass, Acetal or Stainless Steel

➤ **SPECIFICATION:**

Bore Tolerance:
 +0.018/0
 For Stainless Steel
 +0.030/0

➤ **MATERIAL CODE:**

- B Brass
- P Acetal Δ
- X Stainless Steel

Δ Acetal sprockets do not have a threaded hole for a set screw

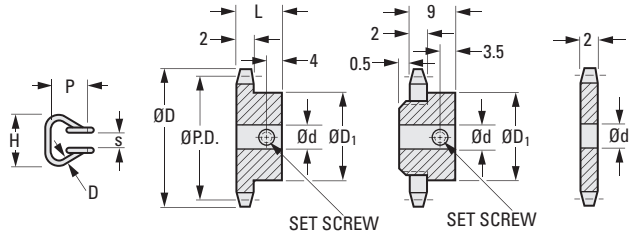


Fig. 1

Fig. 2

Fig. 3
Inserted Hub

Fig. 4

METRIC COMPONENT

Catalog Number	Material	P Pitch	Links Per Meter	D Wire Dia.	H Outside Width	s Inside Width	Yield Point N
Fig. 1 Ladder Chain - Priced per Meter							
A 6C88M480	High-Tensile Steel	4.8	208	1	7.7	2.6	245
A 6Y 8M480	Stainless Steel	4.8	208	1	7.7	2.6	133

Catalog Number	No. of Teeth	P.D.	D Dia.	d Bore	L		D ₁ Hub Dia.
					Acetal	All Others	
Fig. 2 Sprockets With Hub (See above for Material Code)							
* A 6B 8MHK4810A	10	15.5	17.7	4	10	10	11.5
* A 6B 8MHK4810B	10	15.5	17.7	5	10	10	11.5
A 6 <input type="checkbox"/> 8MHK4810	10	15.5	17.7	6	10	10	11.5
A 6 <input type="checkbox"/> 8MHK4811	11	17	19.2	6	10	10	13
A 6 <input type="checkbox"/> 8MHK4812	12	18.5	20.8	6	10	10	14
A 6 <input type="checkbox"/> 8MHK4813	13	20.1	22.4	6	10	10	15
A 6 <input type="checkbox"/> 8MHK4814	14	21.6	23.9	6	10	10	17
A 6 <input type="checkbox"/> 8MHK4815	15	23.1	25.5	6	10	10	18
A 6 <input type="checkbox"/> 8MHK4816	16	24.6	27	6	10	10	19
A 6 <input type="checkbox"/> 8MHK4818	18	27.6	30.1	6	10	10	21
A 6 <input type="checkbox"/> 8MHK4820	20	30.7	33.2	6	10	10	23
A 6 <input type="checkbox"/> 8MHK4822	22	33.7	36.3	6	10	10	25
A 6 <input type="checkbox"/> 8MHK4824A	24	36.8	39.3	6	10	9	25
A 6 <input type="checkbox"/> 8MHK4826A	26	39.8	42.4	6	10	9	25
A 6 <input type="checkbox"/> 8MHK4828A	28	42.9	45.5	6	10	9	25
A 6 <input type="checkbox"/> 8MHK4830A	30	45.9	48.5	6	10	9	25
Fig. 3 Sprockets with Hub Insert**							
A 6B 8MHK4824	24	36.8	39.3	6	-	-	20
A 6B 8MHK4826	26	39.8	42.4	6	-	-	20
A 6B 8MHK4828	28	42.9	45.5	6	-	-	20
A 6B 8MHK4830	30	45.9	48.5	6	-	-	20
Fig. 4 Sprockets Plain**							
A 6B 8MYK4824	24	36.8	39.3	8	-	-	-
A 6B 8MYK4826	26	39.8	42.4	8	-	-	-
A 6B 8MYK4828	28	42.9	45.5	8	-	-	-
A 6B 8MYK4830	30	45.9	48.5	8	-	-	-

* These items have an M3 set screw. All others have an M4 set screw.

** To be discontinued when present stock is depleted

Root Dia.= P.D. - 1

SIZE 18
 MOLDED WITH METAL INSERT
 2.5 mm FACE

PHONE: 516.328.3300 • FAX: 516.326.8827 • WWW.SDP-SI.COM

► **MATERIAL:**

- Ladder Chain - Steel or Brass, High-Tensile Steel, Stainless Steel.
- Sprockets - Acetal, Black
- Insert - Brass, Knurled

► **SPECIFICATIONS:**

- Sprockets with:
 - 4 & 6 mm bore have an M3 set screw & spot drill
 - 8 mm bore have an M4 set screw & spot drill

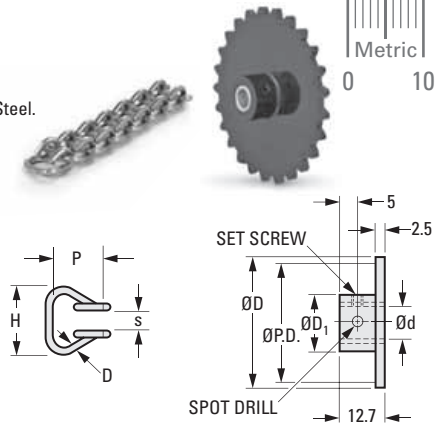


Fig. 1

Fig. 2

METRIC COMPONENT

Catalog Number	Material	P Pitch	Links Per Meter	D Wire Dia.	H Outside Width	s Inside Width	Yield Point N
Fig. 1 Ladder Chain - Priced per Meter							
A 6C 8M18	Steel	7.26	138	1.2	8.5	3.2	178
A 6B 8M18	Brass	7.26	138	1.2	8.5	3.2	111
A 6C88M18	High-Tensile Steel	7.26	138	1.2	8.5	3.2	333
A 6Y 8M18	Stainless Steel	7.26	138	1.2	8.5	3.2	178

Catalog Number	No. of Teeth	P.D.	D Dia.	d Bore +0.025 0	D ₁ Hub Dia.
Fig. 2 Sprockets					
A 6Z 8M181304	13	30.3	35.15	4	16
A 6Z 8M181306	13	30.3	35.15	6	16
A 6Z 8M181404	14	32.6	37.44	4	16
A 6Z 8M181406	14	32.6	37.44	6	16
A 6Z 8M181504	15	34.9	39.73	4	16
A 6Z 8M181506	15	34.9	39.73	6	16
A 6Z 8M181604	16	37.2	42.04	4	16
A 6Z 8M181606	16	37.2	42.04	6	16
A 6Z 8M181804	18	41.8	46.61	4	16
A 6Z 8M181806	18	41.8	46.61	6	16
A 6Z 8M182004	20	46.4	51.21	4	16
A 6Z 8M182006	20	46.4	51.21	6	16
A 6Z 8M182204	22	51	55.8	4	16
A 6Z 8M182206	22	51	55.8	6	16
A 6Z 8M182404	24	55.6	60.43	4	16
A 6Z 8M182406	24	55.6	60.43	6	16
A 6Z 8M182408	24	55.6	60.43	8	19
A 6Z 8M182506	25	57.9	62.74	6	16
A 6Z 8M182508	25	57.9	62.74	8	19
A 6Z 8M183006	30	69.4	74.24	6	16
A 6Z 8M183008	30	69.4	74.24	8	19
A 6Z 8M183206	32	74	78.87	6	16
A 6Z 8M183208	32	74	78.87	8	19
A 6Z 8M183606	36	83.3	88.09	6	19
A 6Z 8M183608	36	83.3	88.09	8	19
A 6Z 8M184008	40	92.5	97.31	8	19
A 6Z 8M184808	48	111	115.8	8	19
A 6Z 8M185408	54	124.8	129.64	8	19

I
R
T
1
2
3
4
5
6
7
8
9
10
11
12
13
14
15
A

2.5 mm FACE

PHONE: 516.328.3300 • FAX: 516.326.8827 • WWW.SDP-SI.COM

> MATERIAL:

Ladder Chain - Steel or Brass, High-Tensile Steel, Stainless Steel
Sprockets - Acetal, Black

> SPECIFICATION:

Bore is sized for press fit. Use straight knurl on shafting for maximum torques.

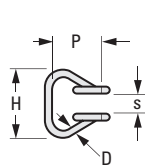


Fig. 1

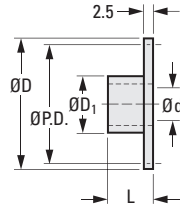


Fig. 2

METRIC COMPONENT

Catalog Number	Material	P Pitch	Links Per Meter	D Wire Dia.	H Outside Width	s Inside Width	Yield Point N
Fig. 1 Ladder Chain - Priced per Meter							
A 6C 8M18	Steel	7.26	138	1.2	8.5	3.2	178
A 6B 8M18	Brass	7.26	138	1.2	8.5	3.2	111
A 6C8M18	High-Tensile Steel	7.26	138	1.2	8.5	3.2	333
A 6Y 8M18	Stainless Steel	7.26	138	1.2	8.5	3.2	178

Catalog Number *	No. of Teeth	P.D.	D Dia.	d Bore Nom.	D1 Hub Dia.	L Length
Fig. 2 Sprockets With Hub						
A 6M 8M180806	8	19	23.8	6	12.5	8.9
A 6M 8M181006	10	23.5	28.3	6	12.5	8.9
A 6M 8M181308	13	30.3	35.2	8	15.9	12.7
A 6M 8M181506	15	34.9	39.7	6	12.7	10.2
A 6M 8M181508	15	34.9	39.7	8	15.9	12.7
A 6M 8M181606	16	37.2	42	6	12.7	10.2
A 6M 8M181808	18	41.8	46.6	8	15.9	12.7
A 6M 8M182008	20	46.4	51.2	8	15.9	12.7
A 6M 8M182510	25	57.9	62.7	10	19	12.7
A 6M 8M183008	30	69.4	74.2	8	15.9	12.7
A 6M 8M183608	36	83.3	88.1	8	15.9	12.7
A 6M 8M183610	36	83.3	88.1	10	19	12.7
A 6M 8M184810	48	111	115.8	10	19	12.7
A 6M 8M185410	54	124.8	129.6	10	19	12.7

* To be discontinued when present stock is depleted.

SIZE 14
 MOLDED WITH METAL INSERT
 4.3 mm FACE

PHONE: 516.328.3300 • FAX: 516.326.8827 • WWW.SDP-SI.COM

► **MATERIAL:**

Ladder Chain - Steel or Brass, High-Tensile Steel, Stainless Steel
Sprockets - Acetal, Black
Insert - Brass, Knurled

► **SPECIFICATION:**

Sprockets with:
 4 mm bore have an M3 set screw & spot drill
 6 mm bore have an M4 set screw & spot drill
 8 mm bore have an M5 set screw & spot drill

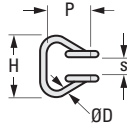


Fig. 1

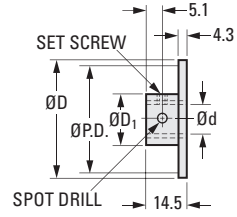


Fig. 2

METRIC COMPONENT

Catalog Number	Material	P Pitch	Links Per Meter	D Wire Dia.	H Outside Width	s Inside Width	Yield Point N
Fig. 1 Ladder Chain - Priced per Meter							
A 6C 8M14	Steel	8.9	112	2	14.1	5.2	353
A 6C88M14	High-Tensile Steel	8.9	112	2	14.1	5.2	667
A 6B 8M14	Brass	8.9	112	2	14.1	5.2	201
A 6Y 8M14	Stainless Steel	8.9	112	2	14.1	5.2	353

Catalog Number	No. of Teeth	P.D.	D Dia.	d Bore +0.025 0	D1 Hub Dia.
Fig. 2 Sprockets					
A 6Z 8M141204	12	34.6	40.1	4	15.8
A 6Z 8M141206	12	34.6	40.1	6	15.8
A 6Z 8M141304	13	37.4	42.7	4	15.8
A 6Z 8M141306	13	37.4	42.7	6	15.8
A 6Z 8M141404	14	40.3	45.5	4	15.8
A 6Z 8M141406	14	40.3	45.5	6	15.8
A 6Z 8M141506	15	43.1	48.3	6	15.8
A 6Z 8M141508	15	43.1	48.3	8	19
A 6Z 8M141606	16	46	50.8	6	15.8
A 6Z 8M141608	16	46	50.8	8	19
A 6Z 8M141808	18	51.6	56.4	8	19
A 6Z 8M142008	20	57.3	62	8	19
A 6Z 8M142208	22	63	67.3	8	19
A 6Z 8M142408	24	68.7	74.2	8	19
A 6Z 8M142508	25	71.6	76.7	8	19
A 6Z 8M143008	30	85.8	90.4	8	19
A 6Z 8M143208	32	91.5	96	8	19
A 6Z 8M143608	36	102.9	108	8	19
A 6Z 8M144008	40	114.3	120	8	19
A 6Z 8M144808	48	137.1	141.7	8	19

I
R
T
1
2
3
4
5
6
7
8
9
10
11
12
13
14
15
A