

M-STYLE MOUNTINGS

SDP/SI

FOR STANDARD LOADS OF 15 TO 125 kgf

PHONE: 516.328.3300 • FAX: 516.326.8827 • WWW.SDP-SI.COM

› **MATERIAL:**

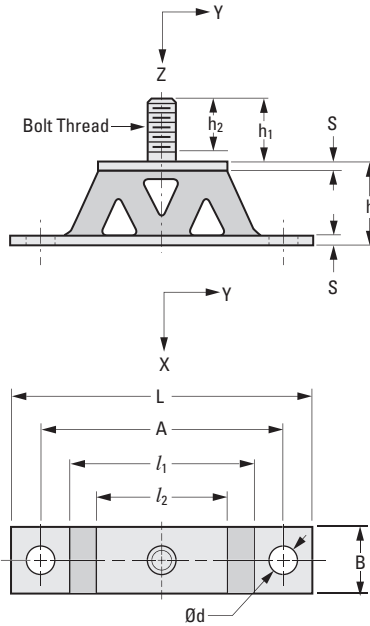
Mounting Plates - Mild Steel, Painted
Isolators - Natural Rubber, 60 Durometer

› **FEATURES:**

Compared with circular rubber mountings, they ensure lower spring rate in vertical direction and higher stability in horizontal direction. Suited for machines which generate considerable vibrations during low-speed operation.
 Excellent in controlling vibrations of 600 cpm or higher.
 Can be installed in very small areas because of its narrow width.
 Used for oscillating motions.

› **APPLICATIONS:**

Vibration Screen
 Vibration Conveyors
 Vibration Sieves
 Instrument Panels
 Refrigerators
 Compressors



The projections shown are per ISO convention.

METRIC COMPONENT

Catalog Number	L	A	B	I ₁	I ₂	S	h	h ₁	h ₂	d Dia.	Bolt Thread
A10Z46MKD040	125	104	30	80	55	4.5	40	29	25	11	M10
A10Z46MKD045	160	130	35	100	70	4.5	45	34	32	14	M12
A10Z46MKD055	210	170	40	130	90	6	55	54	50	17	M16
A10Z46MKD065	245	205	50	165	115	9	65	52	50	20	M16

Catalog Number (Ref.)	Standard Load in Z Direction kgf	Allowable Load kgf			Spring Rate in Z dir. Kz kgf/cm	Stiffness Ratio Kx/Kz	Stiffness Ratio Ky/Kz
		Z Dir.	X Dir.	Y Dir.			
A10Z46MKD040	15...35	70	12	14	200	0.17	0.2
A10Z46MKD045	30...50	100	22	20	250	0.22	0.2
A10Z46MKD055	50...90	175	45	35	290	0.25	0.2
A10Z46MKD065	80...125	250	45	40	370	0.19	0.16