

# D.C. MOTORS



6 & 12 VOLTS D.C.  
REVERSIBLE

PHONE: 516.328.3300 • FAX: 516.326.8827 • WWW.SDP-SI.COM



**> MATERIAL:**

**Housing** - Stamped Steel  
Molded Brush Enclosure

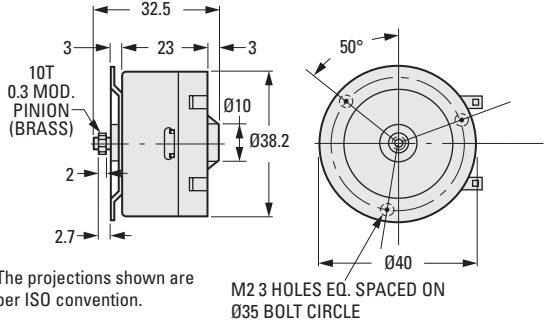
**> FINISH:**

Zinc Chromate

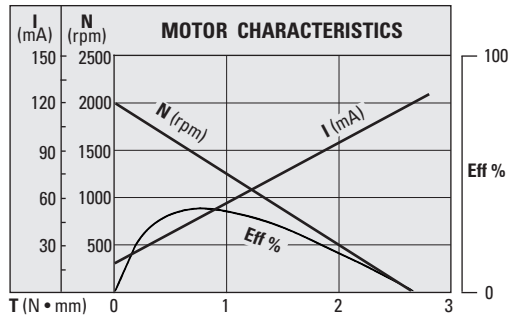
**> FEATURES:**

Low Noise & Vibrations Levels  
Lightweight - 64 grams

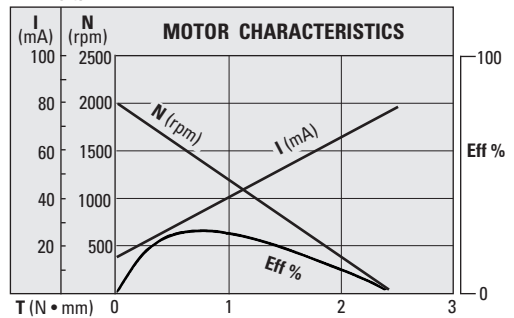
For mating gearheads,  
see **A 2G15M...** Series.



**> 6 Volts**



**> 12 Volts**



**METRIC COMPONENT**

Catalog Number	Volts D.C.	No Load		Rated Load			
		Current mA	Speed rpm	Torque N·mm	Current mA	Speed rpm	Output Watts
A 3M15M006P1	6	20	2000	0.98	60	1250	0.1
A 3M15M012P1	12	15	2000	0.98	39	1200	0.1