

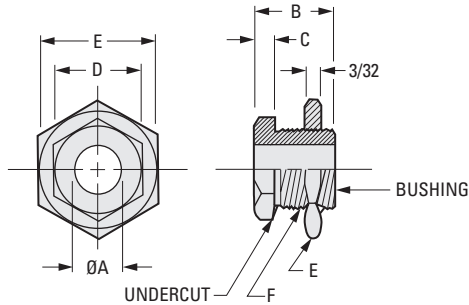
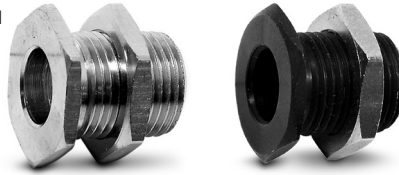
HEXAGONAL NUT

PHONE: 516.328.3300 • FAX: 516.326.8827 • WWW.SDP-SI.COM

MATERIAL:

Bushing - Brass, Nickel Plated or Aluminum, Black Anodized

Nut - Brass, Nickel Plated



INCH COMPONENT

| Catalog Number | | A Dia. | B | C | D | E Hex. Nut | F Thread | Panel Thickness |
|----------------|------------------|--------|-------|------|-----|------------|----------|-----------------|
| Brass Bushing | Aluminum Bushing | | | | | | | |
| A 9B42-D10 | A 9A42-D10 | .127 | 5/16 | 1/16 | 3/8 | 3/8 | 1/4-32 | 1/8 |
| A 9B42-D14 | A 9A42-D14 | .127 | 7/16 | 1/16 | 3/8 | 3/8 | 1/4-32 | 1/4 |
| A 9B42-D18 | — | .127 | 9/16 | 1/16 | 3/8 | 3/8 | 1/4-32 | 3/8 |
| A 9B42-D12 | A 9A42-D12 | .252 | 3/8 | 1/16 | 1/2 | 1/2 | 3/8-32 | 1/8 |
| A 9B42-D16 | A 9A42-D16 | .252 | 1/2 | 1/16 | 1/2 | 1/2 | 3/8-32 | 1/4 |
| A 9B42-D20 | — | .252 | 5/8 | 1/16 | 1/2 | 1/2 | 3/8-32 | 3/8 |
| A 9B42-D24 | — | .252 | 3/4 | 1/16 | 1/2 | 1/2 | 3/8-32 | 1/2 |
| A 9B42-A11 | — | .252 | 11/32 | 3/32 | 1/2 | 1/2 | 3/8-32 | 1/8 |
| A 9B42-A14 | — | .252 | 7/16 | 3/32 | 1/2 | 1/2 | 3/8-32 | 3/16 |
| A 9B42-A18 | — | .252 | 9/16 | 3/32 | 1/2 | 1/2 | 3/8-32 | 1/4 |