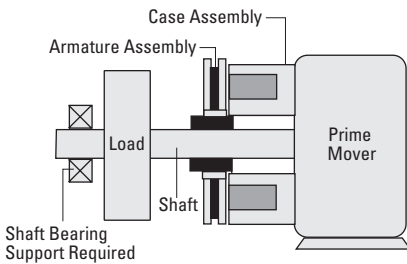
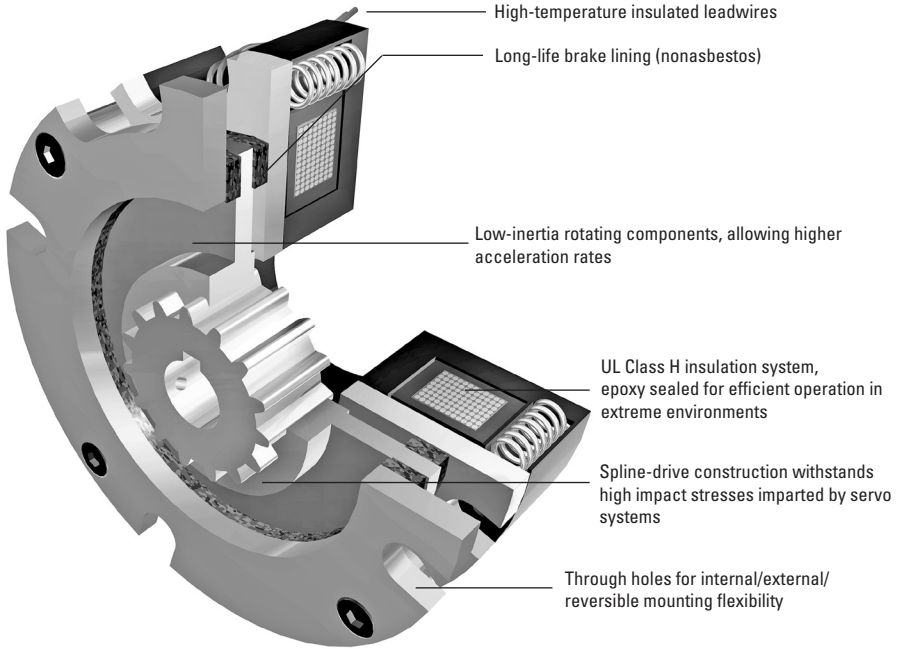


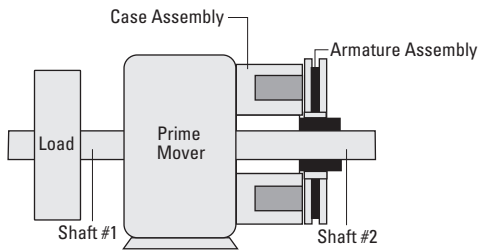


Power-Off Brake – S90SB9- series

Used to stop or hold a load in the absence of power. The case assembly is mounted or fastened to a bulkhead. The armature assembly is attached to the rotating load.



Option 1: Single Output Shaft



Option 2: Double Output Shaft

SIMPLE INSTALLATION
ECONOMICAL COST
ENERGY EFFICIENT
SPLINED HUB

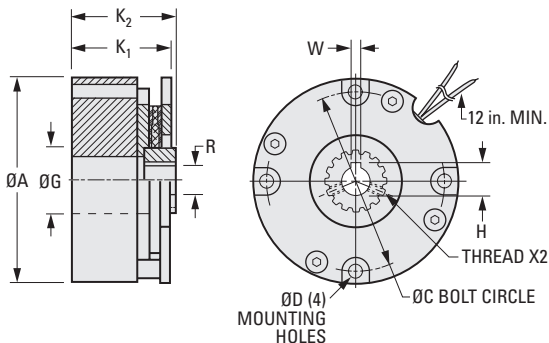
PHONE: 516.328.3300 • FAX: 516.326.8827 • WWW.SDP-SI.COM



> COIL DATA:

Voltage: 24V DC

Other voltages available on special order.



Keyway Dimensions				
R Bore	.250	.312	.375	.500
W Width	.062	.094	.094	.125
H Height	.286	.364	.425	.564

INCH COMPONENT

Catalog Number	Static Torque lbf in.	Max. watts	R Hub Bore	G Case Inside Dia.	A Dia.	C Dia.	D Dia.	K ₁ OAL Short Hub	K ₂ OAL Long Hub
S90SB9-15A04S	5	7	.250	.53	1.50	1.31	.125	1.06	—
S90SB9-15A04L	5	7	.250	.53	1.50	1.31	.125	—	1.18
S90SB9-15A05S	5	7	.312	.53	1.50	1.31	.125	1.06	—
S90SB9-15A05L	5	7	.312	.53	1.50	1.31	.125	—	1.18
S90SB9-15A06S	5	7	.375	.53	1.50	1.31	.125	1.06	—
S90SB9-15A06L	5	7	.375	.53	1.50	1.31	.125	—	1.18
S90SB9-17A04S	10	10	.250	.58	1.79	1.64	.093	1.19	—
S90SB9-17A04L	10	10	.250	.58	1.79	1.64	.093	—	1.32
S90SB9-17A06S	10	10	.375	.58	1.79	1.64	.093	1.19	—
S90SB9-17A06L	10	10	.375	.58	1.79	1.64	.093	—	1.32
S90SB9-17A08S	10	10	.500	.58	1.79	1.64	.093	1.19	—
S90SB9-17A08L	10	10	.500	.58	1.79	1.64	.093	—	1.32
S90SB9-19A04S	18	12	.250	.43	2.00	1.77	.146	1.19	—
S90SB9-19A04L	18	12	.250	.43	2.00	1.77	.146	—	1.38
S90SB9-19A06S	18	12	.375	.43	2.00	1.77	.146	1.19	—
S90SB9-19A06L	18	12	.375	.43	2.00	1.77	.146	—	1.38

Catalog Number (Ref.)	Thread	Nom. Resistance ohms	Armature		Rotor Inertia lbf in. sec ²	Energy Dissipation lbf ft./min.	Weight lb.
			Engagement msec	Disengagement msec			
S90SB9-15A...	#2-56	96	20	10	4.38 x 10 ⁻⁶	500	.3
S90SB9-17A...	#6-32	64	20	10	1.87 x 10 ⁻⁵	700	.7
S90SB9-19A...	#6-32	54	35	10	2.36 x 10 ⁻⁵	900	.7

* Typical torque after burnishing; units shipped burnished.

Continued on the next page

SIMPLE INSTALLATION
ECONOMICAL COST
ENERGY EFFICIENT
SPLINED HUB

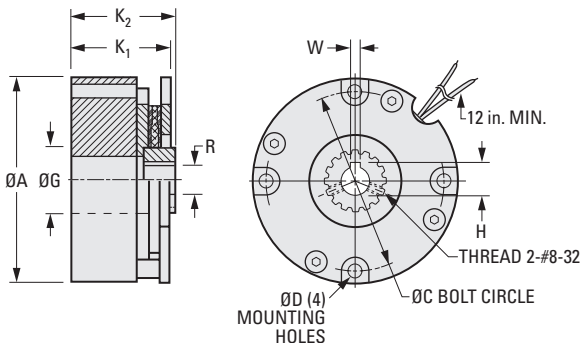
PHONE: 516.328.3300 • FAX: 516.326.8827 • WWW.SDP-SI.COM



> COIL DATA:

Voltage: 24V DC

Other voltages available on special order.



Keyway Dimensions			
R Bore	.375	.500	.625
W Width	.094	.125	.188
H Height	.425	.564	.709

INCH COMPONENT

Catalog Number	Static Torque lbf in.	Max. watts	R Hub Bore	G Case Inside Dia.	A Dia.	C Dia.	D Dia.	K ₁ OAL Short Hub	K ₂ OAL Long Hub
S90SB9-28A06S	80	20	.375	1.18	3.03	2.76	.177	1.22	—
S90SB9-28A06L	80	20	.375	1.18	3.03	2.76	.177	—	1.45
S90SB9-28A08S	80	20	.500	1.18	3.03	2.76	.177	1.22	—
S90SB9-28A08L	80	20	.500	1.18	3.03	2.76	.177	—	1.45
S90SB9-28A10S	80	20	.625	1.18	3.03	2.76	.177	1.22	—
S90SB9-28A10L	80	20	.625	1.18	3.03	2.76	.177	—	1.45

Catalog Number (Ref.)	Thread	Nom. Resistance ohms	Armature		Rotor Inertia lbf in. sec ²	Energy Dissipation lbf ft./min.	Weight lb.
			Engagement msec	Disengagement msec			
S90SB9-28A...	#8-32	36	50	40	1.06 x 10 ⁻⁴	1800	1.8

* Typical torque after burnishing; units shipped burnished.

Continued from the previous page

