

MALE PLASTIC ROD END BEARINGS



MAINTENANCE-FREE
 SELF-LUBRICATING
 LIGHTWEIGHT
 COMPENSATES FOR ALIGNMENT ERRORS
 AND EDGE LOADS

PHONE: 516.328.3300 • FAX: 516.326.8827 • WWW.SDP-SI.COM



► **MATERIAL:**

Body - Thermoplastic
Ball - L280® Polymer

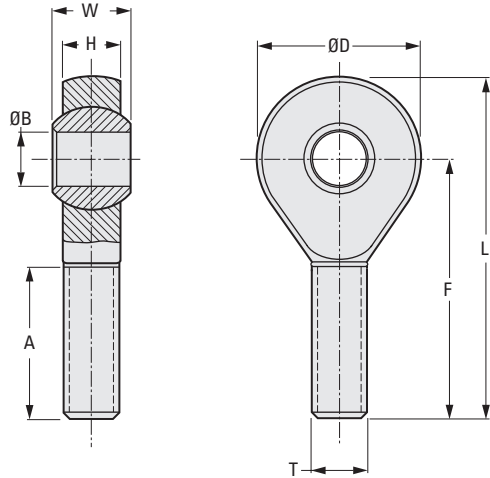
► **OPERATING TEMPERATURE:**

-40°F to +194°F

► **SPECIFICATION:**

Bore Tolerance:
 .2500 to .3750 +.0033/+0.010
 .5000 & .6250 +.0040/+0.013
 .7500 +.0049/+0.016

For additional information concerning the bearing material, see pages 5-110.



INCH COMPONENT

Catalog Number *	B Bore	D Dia.	T Thread Size	H	W	F	A	L	Shaft Size	
									Max.	Min.
S62GMR-025075 <input type="checkbox"/>	.2500	.750	1/4-28	.250	.365	1.562	1.000	1.937	.2500	.2485
S62GMR-031088 <input type="checkbox"/>	.3125	.875	5/16-24	.312	.437	1.875	1.250	2.313	.3125	.3110
S62GMR-038100 <input type="checkbox"/>	.3750	1.000	3/8-24	.359	.500	1.938	1.250	2.438	.3750	.3735
S62GMR-050131 <input type="checkbox"/>	.5000	1.312	1/2-20	.453	.625	2.428	1.500	3.094	.5000	.4983
S62GMR-063150 <input type="checkbox"/>	.6250	1.500	5/8-18	.484	.750	2.625	1.625	3.375	.6250	.6233
S62GMR-075175 <input type="checkbox"/>	.7500	1.750	3/4-16	.593	.875	2.875	1.750	3.750	.7500	.7479

*To complete Catalog Number, specify **R** for Right-Hand Thread and **L** for Left-Hand Thread.

Catalog Number (Ref.)	Max. Angle of Pivot	Min. Thread Engmt. in.	Max. Thread Strength lbf ft.	Max. Torque Strength Through Ball lbf ft.	Max. Static Tensile Strength lbf		Max. Radial Load lbf	
					Short-Term	Long-Term	Short-Term	Long-Term
S62GMR-025075 <input type="checkbox"/>	25°	.700	2.95	.74	202	101	22	11
S62GMR-031088 <input type="checkbox"/>	25°	.875	7.38	1.48	247	123	33	16
S62GMR-038100 <input type="checkbox"/>	22°	.875	11.06	2.21	337	168	78	39
S62GMR-050131 <input type="checkbox"/>	22°	1.050	25.82	6.64	562	281	101	50
S62GMR-063150 <input type="checkbox"/>	22°	1.137	36.88	8.85	186	393	134	67
S62GMR-075175 <input type="checkbox"/>	22°	1.226	51.63	18.44	876	438	224	112

FEMALE PLASTIC ROD END BEARINGS



MAINTENANCE-FREE
 SELF-LUBRICATING
 LIGHTWEIGHT
 COMPENSATES FOR ALIGNMENT ERRORS
 AND EDGE LOADS

PHONE: 516.328.3300 • FAX: 516.326.8827 • WWW.SDP-SI.COM



> MATERIAL:

Body - Thermoplastic
Balls - L280® Polymer

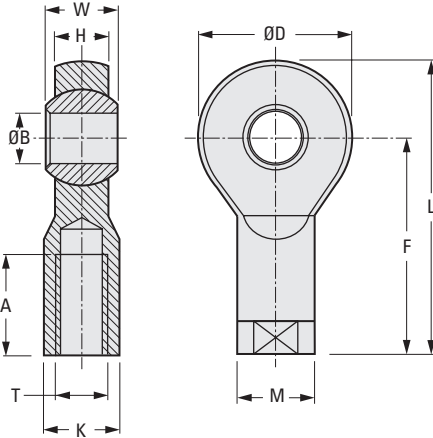
> OPERATING TEMPERATURE:

-40°F to +194°F

> SPECIFICATIONS:

Bore Tolerance:
 .2500 to .3750 +.0033/+0.010
 .5000 & .6250 +.0040/+0.013
 .7500 & 1.0000 +.0049/+0.016

For additional information concerning the bearing material, see page 5-110.



INCH COMPONENT

Catalog Number *	B Bore	D Dia.	T Thread Size	M	H	W	F	A	L	K Wrench Size	Shaft Size	
											Max.	Min.
S62GFR-025075 <input type="checkbox"/>	.2500	.750	1/4-28	.469	.272	.365	1.312	.687	1.687	.375	.2500	.2485
S62GFR-031088 <input type="checkbox"/>	.3125	.875	5/16-24	.500	.340	.437	1.375	.687	1.813	.437	.3125	.3110
S62GFR-038100 <input type="checkbox"/>	.3750	1.000	3/8-24	.687	.394	.500	1.625	.812	2.125	.562	.3750	.3735
S62GFR-050131 <input type="checkbox"/>	.5000	1.312	1/2-20	.875	.487	.625	2.125	1.062	2.781	.750	.5000	.4983
S62GFR-063150 <input type="checkbox"/>	.6250	1.500	5/8-18	1.000	.545	.750	2.500	1.375	3.250	.875	.6250	.6235
S62GFR-075175 <input type="checkbox"/>	.7500	1.750	3/4-16	1.125	.676	.875	2.875	1.562	3.750	1.000	.7500	.7479
S62GFR-100275R	1.0000	2.750	1-12	1.625	1.000	1.375	4.125	2.125	5.500	1.500	1.0000	.9980

* To complete Catalog Number, specify R for Right-Hand Thread or L for Left-Hand Thread.

Catalog Number (Ref.)	Max. Angle of Pivot	Min. Thread Engagement in.	Max. Thread Strength lbf ft.	Max. Static Tensile Strength lbf		Max. Radial Load lbf	
				Short-Term	Long-Term	Short-Term	Long-Term
S62GFR-025075 <input type="checkbox"/>	25°	.480	3.68	248	124	90	45
S62GFR-031088 <input type="checkbox"/>	25°	.480	4.42	383	192	112	56
S62GFR-038100 <input type="checkbox"/>	22°	.568	5.16	450	225	225	112
S62GFR-050131 <input type="checkbox"/>	22°	.743	16.96	585	293	337	169
S62GFR-063150 <input type="checkbox"/>	22°	.962	22.12	1103	551	382	191
S62GFR-075175 <input type="checkbox"/>	22°	1.093	29.50	1260	630	517	259
S62GFR-100275R	20°	1.488	33.92	1349	674	584	293

