

MAINTENANCE-FREE
 SELF-LUBRICATING
 LIGHTWEIGHT
 COMPENSATES FOR ALIGNMENT ERRORS
 AND EDGE LOADS

PHONE: 516.328.3300 • FAX: 516.326.8827 • WWW.SDP-SI.COM



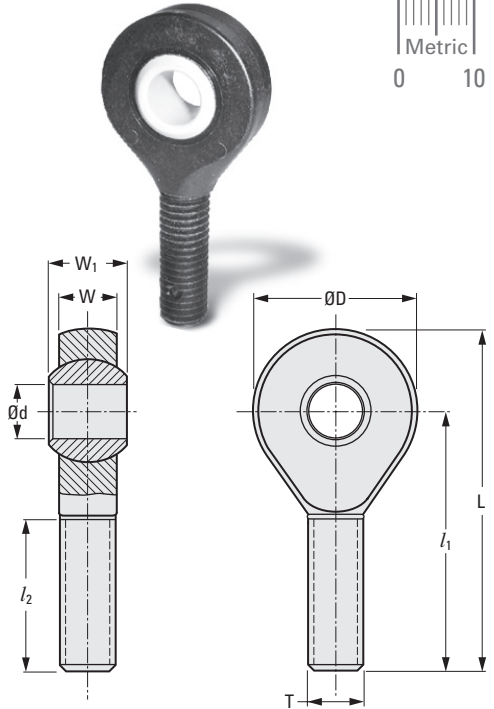
> MATERIAL:

Body - Thermoplastic
Ball - L280® Polymer

> OPERATING TEMPERATURE:

-40°C to +130°C

For additional information concerning the bearing material, see page 5-76.



METRIC COMPONENT

Catalog Number *	d Bore E10	D Dia.	T Thread Size	W	W ₁	l ₁	l ₂	L	Shaft Size	
									Min.	Max.
S62GMRM0508 <input type="checkbox"/>	5	18	M5	6	8	33	19	42	4.970	5.000
S62GMRM0609 <input type="checkbox"/>	6	20	M6	7	9	36	21	46	5.970	6.000
S62GMRM0812 <input type="checkbox"/>	8	24	M8	9	12	42	25	55	7.964	8.000
S62GMRM1014 <input type="checkbox"/>	10	30	M10	10.5	14	48	28	63	9.964	10.000
S62GMRM1216 <input type="checkbox"/>	12	34	M12	12	16	54	32	71	11.957	12.000
S62GMRM1419 <input type="checkbox"/>	14	38	M14	13.5	19	61	36	79	13.957	14.000
S62GMRM1621 <input type="checkbox"/>	16	42	M16	15	21	66	37	88	15.957	16.000
S62GMRM1823 <input type="checkbox"/>	18	46	M18 x 1.5	16.5	23	72	41	96	17.957	18.000
S62GMRM2025 <input type="checkbox"/>	20	50	M20 x 1.5	18	25	78	45	104	19.948	20.000
S62GMRM2228 <input type="checkbox"/>	22	56	M22 x 1.5	20	28	84	48	112	21.948	22.000
S62GMRM2531 <input type="checkbox"/>	25	60	M24 x 2	22	31	94	55	125	24.948	25.000

Catalog Number (Ref.)	Max. Angle of Pivot	Max. Static Tensile Strength N		Max. Radial Load N		Min. Thread Engmnt. mm	Max. Torque Stngth Inner Threading N • m	Max. Torque Strength N • m
		Short-Term	Long-Term	Short-Term	Long-Term			
S62GMRM0508 <input type="checkbox"/>	30°	801	400	80	40	13	0.41	5
S62GMRM0609 <input type="checkbox"/>	29°	1001	498	98	49	15	0.54	10
S62GMRM0812 <input type="checkbox"/>	25°	1699	850	200	98	18	2	12.1
S62GMRM1014 <input type="checkbox"/>	25°	2500	1250	298	147	20	5	20.1
S62GMRM1216 <input type="checkbox"/>	25°	2700	1348	396	200	22	6	30
S62GMRM1419 <input type="checkbox"/>	25°	3398	1699	698	347	25	12.1	35
S62GMRM1621 <input type="checkbox"/>	23°	3897	1948	796	396	26	16.9	40
S62GMRM1823 <input type="checkbox"/>	23°	4199	2100	996	498	29	20.1	45
S62GMRM2025 <input type="checkbox"/>	23°	5996	2988	1299	649	32	24.9	55
S62GMRM2228 <input type="checkbox"/>	22°	7197	3599	1499	747	34	24.9	60.1
S62GMRM2531 <input type="checkbox"/>	22°	7500	3750	1899	947	39	45	64.9

* To complete Catalog Number, specify **R** for Right-Hand Thread and **L** for Left-Hand Thread.

MAINTENANCE-FREE
 SELF-LUBRICATING
 LIGHTWEIGHT
 COMPENSATES FOR ALIGNMENT ERRORS
 AND EDGE LOADS

PHONE: 516.328.3300 • FAX: 516.326.8827 • WWW.SDP-SI.COM

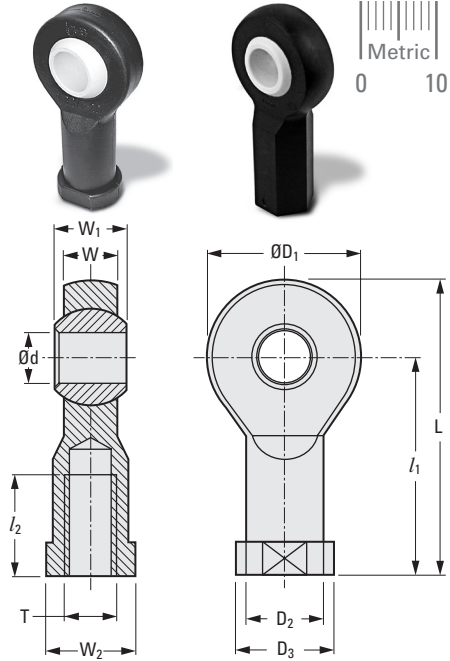
► **MATERIAL:**

Body - Thermoplastic
 Ball - L280® Polymer

► **OPERATING TEMPERATURE:**

-40°C to +130°C

For additional information concerning the bearing material, see page 5-76.



METRIC COMPONENT

Catalog Number *	d Bore E10	D ₁ Dia.	T Thread Size	D ₂	D ₃	W	W ₁	l ₁	l ₂	L	W ₂ Wrench Size	Shaft Size	
												Min.	Max.
S62GFRM0306 <input type="checkbox"/>	3	13	M3	6.5	8	4.5	6	18.5	8	25	06	2.975	3.000
S62GFRM0508 <input type="checkbox"/>	5	18	M5	9	12	6	8	27	10	36	09	4.970	5.000
S62GFRM0609 <input type="checkbox"/>	6	20	M6	10	13	7	9	30	12	40	11	5.970	6.000
S62GFRM0812 <input type="checkbox"/>	8	24	M8	13	16	9	12	36	16	48	14	7.964	8.000
S62GFRM1014 <input type="checkbox"/>	10	30	M10	15	19	10.5	14	43	20	58	17	9.964	10.000
S62GFRM1216L	12	34	M12	18	22	12	16	50	22	67	19	11.957	12.000
△ S62GFRM1216R	12	34	M12	19.75	—	12	16	50	28	67	17	11.957	12.000
S62GFRM1419 <input type="checkbox"/>	14	38	M14	20	25	13.5	19	57	25	76	22	13.957	14.000
S62GFRM1621 <input type="checkbox"/>	16	42	M16	22	27	15	21	64	28	85	22	15.957	16.000
S62GFRM1823 <input type="checkbox"/>	18	46	M18 x 1.5	25	31	16.5	23	71	32	94	27	17.957	18.000
S62GFRM2025 <input type="checkbox"/>	20	50	M20 x 1.5	28	34	18	25	77	33	102	30	19.948	20.000
S62GFRM2228 <input type="checkbox"/>	22	56	M22 x 1.5	30	37	20	28	84	37	112	32	21.948	22.000
S62GFRM2531 <input type="checkbox"/>	25	60	M24 x 2	32	41	22	31	94	42	124	36	24.948	25.000

Catalog Number (Ref.)	Max. Angle of Pivot	Max. Static Tensile Strength N		Max. Radial Load N		Min. Thread Engmnt. mm	Max. Torque Stngth Inner Threading N • m	Max. Torque Strength N • m
		Short-Term	Long-Term	Short-Term	Long-Term			
S62GFRM0306 <input type="checkbox"/>	30°	796	396	98	49	5	0.5	2.03
S62GFRM0508 <input type="checkbox"/>	30°	996	498	249	125	7	1	5.02
S62GFRM0609 <input type="checkbox"/>	29°	1397	698	396	196	8	1.49	10
S62GFRM0812 <input type="checkbox"/>	25°	2100	1050	698	347	11	10	12.1
S62GFRM1014 <input type="checkbox"/>	25°	3096	1548	796	396	13	15	20.1
S62GFRM1216L	25°	3599	1797	899	449	15	20	30
△ S62GFRM1216R	25°	3599	1797	899	449	15	20	30
S62GFRM1419 <input type="checkbox"/>	23°	3999	1997	996	496	17	24.9	35
S62GFRM1621 <input type="checkbox"/>	23°	4199	2100	1299	649	19	30	40
S62GFRM1823 <input type="checkbox"/>	23°	4599	2300	1597	796	21	45	45
S62GFRM2025 <input type="checkbox"/>	23°	5396	2696	2100	1050	22	60.1	55
S62GFRM2228 <input type="checkbox"/>	22°	6997	3496	2197	1099	25	75	60.1
S62GFRM2531 <input type="checkbox"/>	22°	8446	4248	2300	1148	28	120	60.1

* To complete Catalog Number, specify **R** for Right-Hand Thread and **L** for Left-Hand Thread.
 △ Stem has a hexagonal shape, not rounded as shown.

