

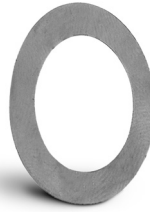
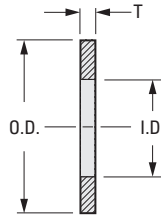
> MATERIAL:

Strip Steel

PHONE: 516.328.3300 • FAX: 516.326.8827 • WWW.SDP-SI.COM

> SPECIFICATION:

Priced Per 100 Pieces



INCH COMPONENT

Catalog Number	I.D. +.005 -.000	O.D. +.000 -.005	T Thickness
A 7C 8-E12001	.376	.625	.001
A 7C 8-E12002	.376	.625	.002
A 7C 8-E12003	.376	.625	.003
A 7C 8-E12004	.376	.625	.004
A 7C 8-E12005	.376	.625	.005
A 7C 8-E12006	.376	.625	.006
A 7C 8-E12007	.376	.625	.007
A 7C 8-E12008	.376	.625	.008
A 7C 8-E12010	.376	.625	.010
A 7C 8-E12012	.376	.625	.012
A 7C 8-E12015	.376	.625	.015
A 7C 8-E12020	.376	.625	.020
A 7C 8-E12025	.376	.625	.025
A 7C 8-E12032	.376	.625	.032
A 7C 8-E12047	.376	.625	.047
A 7C 8-E12062	.376	.625	.062
A 7C 8-E12093	.376	.625	.093
A 7C 8-E12125	.376	.625	.125
A 7C 8-E16001	.501	.750	.001
A 7C 8-E16002	.501	.750	.002
A 7C 8-E16003	.501	.750	.003
A 7C 8-E16004	.501	.750	.004
A 7C 8-E16005	.501	.750	.005
A 7C 8-E16006	.501	.750	.006
A 7C 8-E16007	.501	.750	.007
A 7C 8-E16008	.501	.750	.008
A 7C 8-E16010	.501	.750	.010
A 7C 8-E16012	.501	.750	.012
A 7C 8-E16015	.501	.750	.015
A 7C 8-E16020	.501	.750	.020
A 7C 8-E16025	.501	.750	.025
A 7C 8-E16032	.501	.750	.032
A 7C 8-E16047	.501	.750	.047
A 7C 8-E16062	.501	.750	.062
A 7C 8-E16093	.501	.750	.093
A 7C 8-E16125	.501	.750	.125
A 7C 8-E20001	.626	1.000	.001
A 7C 8-E20002	.626	1.000	.002
A 7C 8-E20003	.626	1.000	.003
A 7C 8-E20004	.626	1.000	.004
A 7C 8-E20005	.626	1.000	.005
A 7C 8-E20006	.626	1.000	.006
A 7C 8-E20007	.626	1.000	.007
A 7C 8-E20008	.626	1.000	.008
A 7C 8-E20010	.626	1.000	.010
A 7C 8-E20012	.626	1.000	.012
A 7C 8-E20015	.626	1.000	.015
A 7C 8-E20020	.626	1.000	.020

Catalog Number	I.D. +.005 -.000	O.D. +.000 -.005	T Thickness
A 7C 8-E20032	.626	1.000	.032
A 7C 8-E20047	.626	1.000	.047
A 7C 8-E20062	.626	1.000	.062
A 7C 8-E20093	.626	1.000	.093
A 7C 8-E20125	.626	1.000	.125
A 7C 8-E24001	.751	1.125	.001
A 7C 8-E24002	.751	1.125	.002
A 7C 8-E24003	.751	1.125	.003
A 7C 8-E24004	.751	1.125	.004
A 7C 8-E24005	.751	1.125	.005
A 7C 8-E24006	.751	1.125	.006
A 7C 8-E24015	.751	1.125	.015
A 7C 8-E24020	.751	1.125	.020
A 7C 8-E24025	.751	1.125	.025
A 7C 8-E24032	.751	1.125	.032
A 7C 8-E24047	.751	1.125	.047
A 7C 8-E24062	.751	1.125	.062
A 7C 8-E24093	.751	1.125	.093
A 7C 8-E24125	.751	1.375	.125
A 7C 8-E28001	.876	1.375	.001
A 7C 8-E28002	.876	1.375	.002
A 7C 8-E28003	.876	1.375	.003
A 7C 8-E28004	.876	1.375	.004
A 7C 8-E28006	.876	1.375	.006
A 7C 8-E28007	.876	1.375	.007
A 7C 8-E28010	.876	1.375	.010
A 7C 8-E28015	.876	1.375	.015
A 7C 8-E28020	.876	1.375	.020
A 7C 8-E28025	.876	1.375	.025
A 7C 8-E28032	.876	1.375	.032
A 7C 8-E28062	.876	1.375	.062
A 7C 8-E28093	.876	1.375	.093
A 7C 8-E28125	.876	1.500	.125
A 7C 8-E32001	1.001	1.500	.001
A 7C 8-E32002	1.001	1.500	.002
A 7C 8-E32003	1.001	1.500	.003
A 7C 8-E32004	1.001	1.500	.004
A 7C 8-E32005	1.001	1.500	.005
*A 7C 8-E32007	1.001	1.500	.007
A 7C 8-E32010	1.001	1.500	.010
A 7C 8-E32015	1.001	1.500	.015
*A 7C 8-E32020	1.001	1.500	.020
A 7C 8-E32032	1.001	1.500	.032
A 7C 8-E32047	1.001	1.500	.047
A 7C 8-E32062	1.001	1.500	.062
A 7C 8-E32093	1.001	1.500	.093
A 7C 8-E32125	1.001	1.500	.125

* To be discontinued when present stock is depleted.



MATERIAL:

Spring Steel

PHONE: 516.328.3300 • FAX: 516.326.8827 • WWW.SDP-SI.COM

SPECIFICATIONS:

Thread Size Shims

I.D. Tolerance is +.000/-.005

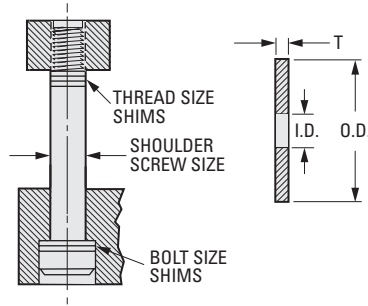
O.D. Tolerance is +.000/-.005

Bolt Size Shims

I.D. Tolerance is +.002/-.000

O.D. Tolerance is +.000/-.002

Priced Per 100 Pieces



INCH COMPONENT

Catalog Number	Shoulder Screw Size	Thread Size	I.D.	O.D.	T Thickness
Thread Size Shims (Lengthening Shims)					
A 7C 8-F05005	1/4	#8	.171	.248	.005
A 7C 8-F05015	1/4	#8	.171	.248	.015
A 7C 8-F06005	5/16	#10	.234	.308	.005
A 7C 8-F06015	5/16	#10	.234	.308	.015
A 7C 8-F08005	3/8	1/4	.289	.371	.005
A 7C 8-F08015	3/8	1/4	.289	.371	.015
A 7C 8-F10005	1/2	5/16	.352	.496	.005
A 7C 8-F10015	1/2	5/16	.352	.496	.015
A 7C 8-F14005	5/8	7/16	.473	.621	.005
A 7C 8-F14015	5/8	7/16	.473	.621	.015
A 7C 8-F16005	3/4	1/2	.598	.746	.005
A 7C 8-F16015	3/4	1/2	.598	.746	.015
Bolt Size Shims (Shortening Shims)					
A 7C 8-G08005	1/4	—	.252	.366	.005
A 7C 8-G08015	1/4	—	.252	.366	.015
A 7C 8-G08032	1/4	—	.252	.366	.032
A 7C 8-G10005	5/16	—	.313	.424	.005
A 7C 8-G10015	5/16	—	.313	.424	.015
A 7C 8-G10032	5/16	—	.313	.424	.032
A 7C 8-G12005	3/8	—	.376	.557	.005
A 7C 8-G12015	3/8	—	.376	.557	.015
A 7C 8-G12032	3/8	—	.376	.557	.032
A 7C 8-G16005	1/2	—	.501	.738	.005
A 7C 8-G16015	1/2	—	.501	.738	.015
A 7C 8-G16032	1/2	—	.501	.738	.032
A 7C 8-G20005	5/8	—	.626	.870	.005
A 7C 8-G20015	5/8	—	.626	.870	.015
A 7C 8-G20032	5/8	—	.626	.870	.032
A 7C 8-G24005	3/4	—	.751	.995	.005
A 7C 8-G24015	3/4	—	.751	.995	.015
A 7C 8-G24032	3/4	—	.751	.995	.032