

EXTERNAL TOLERANCE RINGS

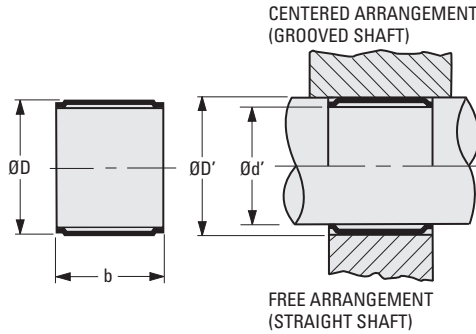


ALLOWS LOOSER TOLERANCE
 LOW-COST ASSEMBLY
 MOUNTS BALL BEARINGS

PHONE: 516.328.3300 • FAX: 516.326.8827 • WWW.SDP-SI.COM



> MATERIAL:
 High Carbon Spring Steel
 301 Stainless Steel



INCH COMPONENT

Catalog Number	Ring Dimensions in.		D' Outer Member I.D. * in.	Inner Member O.D. in.		Max. Radial Load Capacity lbf	Max. Design Torque lbf in.	Max. Design Thrust lbf
	D Dia.	b		For Mounting Ball Bearings	For Torque Transfer			
High Carbon Spring Steel								
S77RH2-025037	1/4	.375	.250	.213/.211	.218/.216	155	8	65
S77RH2-031025	5/16	.250	.312	.256/.254	.262/.260	55	8	50
ΔS77RH2-031050	5/16	.500	.312	.256/.254	.262/.260	115	16	100
S77RH2-037025	3/8	.250	.375	.320/.317	.327/.324	190	15	80
S77RH2-037037	3/8	.375	.375	.320/.317	.327/.324	280	25	135
ΔS77RH2-037050	3/8	.500	.375	.320/.317	.327/.324	370	32	170
301 Stainless Steel								
S77RY2-043037	7/16	.375	.437	.382/.379	.389/.386	300	30	140
S77RY2-050025	1/2	.250	.500	.445/.442	.452/.449	240	25	100
S77RY2-050037	1/2	.375	.500	.445/.442	.452/.449	350	40	160
S77RY2-050075	1/2	.750	.500	.445/.442	.452/.449	710	80	320
S77RY2-056037	9/16	.375	.562	.508/.505	.515/.512	410	50	180
S77RY2-062025	5/8	.250	.625	.570/.567	.577/.574	300	45	145
S77RY2-062037	5/8	.375	.625	.570/.567	.577/.574	460	65	210
S77RY2-062043	5/8	.438	.625	.570/.567	.577/.574	530	75	240
S77RY2-062050	5/8	.500	.625	.570/.567	.577/.574	600	85	270
S77RY2-062062	5/8	.625	.625	.570/.567	.577/.574	760	110	350
S77RY2-062087	5/8	.875	.625	.570/.567	.577/.574	1100	155	495
S77RY2-075025	3/4	.250	.750	.675/.672	.682/.679	440	65	175
S77RY2-075037	3/4	.375	.750	.675/.672	.682/.679	670	100	265
S77RY2-075050	3/4	.500	.750	.675/.672	.682/.679	880	130	345

* Outer member tolerance: +.001 / -.000 up to Ø.625
 +.002 / -.000 over Ø.625

Δ To be discontinued when present stock is depleted.