

FRACTIONAL H.P. V-BELTS

SDP/SI

OIL & HEAT RESISTANT
STATIC DISSIPATING

PHONE: 516.328.3300 • FAX: 516.326.8827 • WWW.SDP-SI.COM



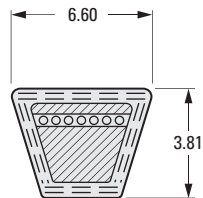
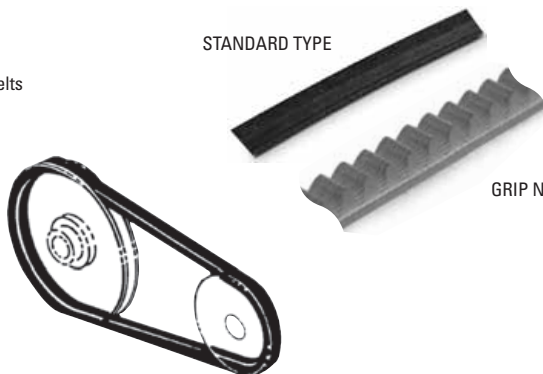
> MATERIAL:

Reinforced Rubber

Standard or Grip Notch type belts will be supplied at SDP option.

STANDARD TYPE

GRIP NOTCH TYPE



METRIC COMPONENT

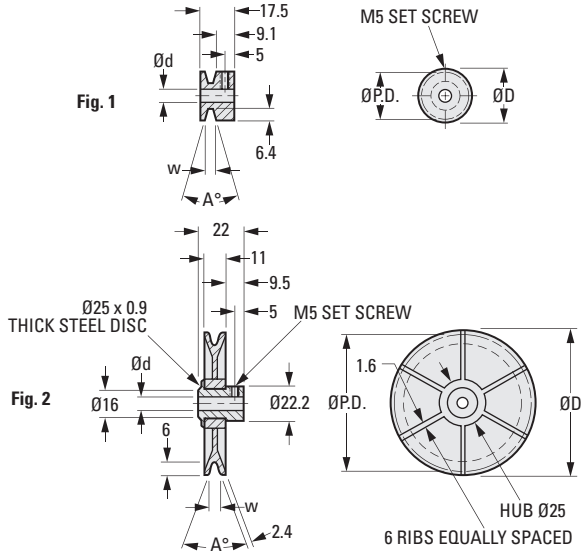
Catalog Number	Outside Length Ref.	Pitch Length
A 6R12M2L254	254	244
A 6R12M2L279	279	269
A 6R12M2L305	305	295
A 6R12M2L356	356	345
A 6R12M2L381	381	371
A 6R12M2L406	406	396
A 6R12M2L457	457	447
A 6R12M2L508	508	498
A 6R12M2L559	559	549
A 6R12M2L610	610	599
A 6R12M2L686	686	676
A 6R12M2L711	711	701
A 6R12M2L724	724	714
A 6R12M2L737	737	726
A 6R12M2L762	762	752
A 6R12M2L787	787	777
A 6R12M2L813	813	803
A 6R12M2L826	826	815

FOR 6 mm V-BELTS
 MOLDED & MOLDED WITH INSERT

PHONE: 516.328.3300 • FAX: 516.326.8827 • WWW.SDP-SI.COM

> MATERIAL:

- Fig. 1 - Nylon
- Fig. 2 - Body - Nylon
 Hub - Aluminum



METRIC COMPONENT

Catalog Number	P.D.	D Dia.	d Bore +0.03 0	W Width	A° Angle
Fig. 1 Nylon					
A 6T10M01202506	23	25	6	6.1	32°
A 6T10M01202508	23	25	8	6.1	32°
Fig. 2 Body - Nylon, Hub - Aluminum					
A 6Z10M01203806	36	38	6	6.25	34°
A 6Z10M01203808	36	38	8	6.25	34°
A 6Z10M01203810	36	38	10	6.25	34°
A 6Z10M01203812	36	38	12	6.25	34°
A 6Z10M01205106	48	51	6	6.25	36°
A 6Z10M01205108	48	51	8	6.25	36°
A 6Z10M01205110	48	51	10	6.25	36°
A 6Z10M01205112	48	51	12	6.25	36°
A 6Z10M01206406	61	64	6	6.25	36°
A 6Z10M01206408	61	64	8	6.25	36°
A 6Z10M01206410	61	64	10	6.25	36°
A 6Z10M01206412	61	64	12	6.25	36°
A 6Z10M01207606	74	76	6	6.35	38°
A 6Z10M01207608	74	76	8	6.35	38°
A 6Z10M01207610	74	76	10	6.35	38°
A 6Z10M01207612	74	76	12	6.35	38°

I
 R
 T
 1
 2
 3
 4
 5
 6
 7
 8
 9
 10
 11
 12
 13
 14
 15
 A