

FOR STANDARD LOADS OF 4 TO 900 kgf (9 TO 1980 lb.)

PHONE: 516.328.3300 • FAX: 516.326.8827 • WWW.SDP-SI.COM



FEATURES:

Compared with circular rubber mountings these have higher stiffness in horizontal direction "X" and better stability. They are also well-suited for rotating machines which generate vibrating forces in the horizontal direction.

Easy to install. The spring rate can be changed just by altering the mounting positions.

For the base plate attached type (Fig. 2), a rubber pad is fitted to the base plate so that the machine can be placed on the floor.

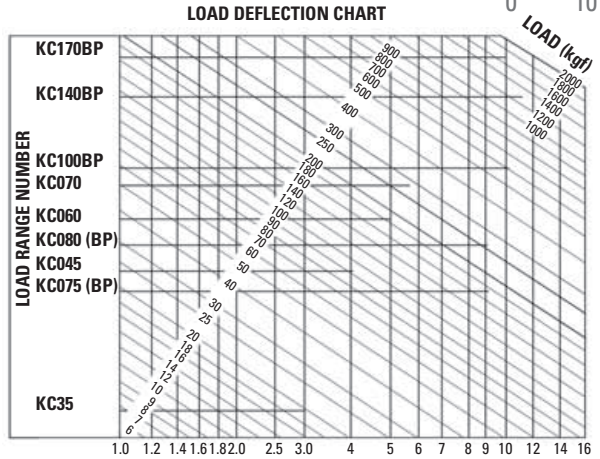


Fig. 1 & Fig. 3 Shown



DEFLECTION mm

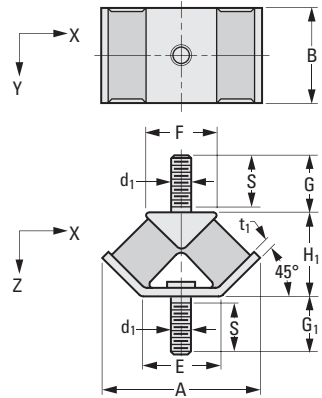


Fig. 1 Without Base Plate

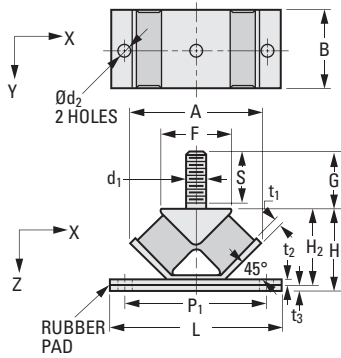


Fig. 2 With Base Plate

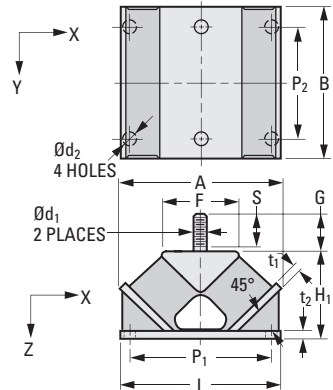


Fig. 3 With Base Plate

V-STYLE MOUNTINGS SELECTION DATA

SDP/SI

PHONE: 516.328.3300 • FAX: 516.326.8827 • WWW.SDP-SI.COM

➤ MATERIAL:

Mounting Plates - Mild Steel, Painted
Isolators - Natural Rubber

➤ APPLICATIONS:

Air Compressors
Vibration Screens
Horizontal Centrifugal Separators
Machine Tools
Vibration Sieves
High-Speed Diesel Engines

➤ DIMENSIONS:

Measured in mm and (inches)

METRIC COMPONENT CATALOG NUMBER

A 1 0 Z 4 5 M

Load Range Number

Use information in both tables below to determine appropriate Load Range Number

Base Plate - BP

(Where applicable)



Load Range Number	A	B	E	F	d ₁ Thread	G	G ₁	S	t ₁	L	P ₁	P ₂	H ₁	H ₂	d ₂	t ₂	t ₃
-------------------	---	---	---	---	-----------------------	---	----------------	---	----------------	---	----------------	----------------	----------------	----------------	----------------	----------------	----------------

Fig. 1 Without Base Plate

KC035	60 (2.4)	30 (1.2)	30 (1.2)	26 (1.0)	M10	31 (1.2)	29 (1.1)	25 (1.0)	4.5 (.18)	-	-	-	35 (1.4)	-	-	-	-
KC045	82 (3.2)	50 (2.0)	40 (1.6)	40 (1.6)	M12	35 (1.4)	34 (1.3)	32 (1.3)	4.5 (.18)	-	-	-	45 (1.8)	-	-	-	-
KC060	108 (4.3)	70 (2.8)	45 (1.8)	56 (2.2)	M12	45 (1.8)	43.5 (1.7)	40 (1.6)	6 (.24)	-	-	-	60 (2.4)	-	-	-	-
KC070	124 (4.9)	90 (3.5)	55 (2.2)	65 (2.6)	M16	52 (2.0)	52 (2.0)	50 (2.0)	8 (.32)	-	-	-	70 (2.8)	-	-	-	-
KC075	135 (5.3)	70 (2.8)	76 (3.0)	56 (2.2)	M12	45 (1.8)	43.5 (1.7)	40 (1.6)	6 (.24)	-	-	-	73 (2.9)	-	-	-	-
KC080	148 (5.8)	90 (3.5)	76 (3.0)	65 (2.6)	M16	52 (2.0)	52 (2.0)	50 (2.0)	8 (.32)	-	-	-	80 (3.1)	-	-	-	-

Fig. 2 With Base Plate

KC075BP	135 (5.3)	70 (2.8)	-	56 (2.2)	M12	45 (1.8)	-	40 (1.6)	6 (.24)	170 (6.7)	140 (5.5)	-	85 (3.3)	79 (3.1)	14 (.55)	6 (.24)	-
KC080BP	148 (5.8)	90 (3.5)	-	65 (2.6)	M16	51.5 (2.0)	-	50 (2.0)	8 (.32)	180 (7.1)	150 (5.9)	-	94 (3.7)	88 (3.5)	18 (.71)	8 (.32)	6 (.24)
KC100BP	180 (7.1)	110 (4.3)	-	100 (3.9)	M20	57 (2.2)	-	46 (1.8)	8 (.32)	240 (9.5)	200 (7.9)	-	114 (4.5)	108 (4.3)	18 (.71)	8 (.32)	6 (.24)

Fig. 3 With Base Plate

KC140BP	250 (9.8)	240 (9.5)	-	127 (5.0)	M20x2	56 (2.2)	-	46 (1.8)	12 (.47)	250 (9.8)	220 (8.7)	175 (6.9)	140 (5.5)	-	18x2 .71x.08	12 (.47)	-
KC170BP	288 (11.3)	180 (7.1)	-	184 (7.2)	M20x2	56 (2.2)	-	46 (1.8)	12 (.47)	300 (11.8)	252 (9.9)	100 (3.9)	170 (6.7)	-	22x2 .87x.08	12 (.47)	-

NOTE: "BP" at the end of the Catalog Number stands for base plate attached type.

Load Range Number	Nominal Load in Z Direction	*ALLOWABLE LOAD kgf (lb.)			Spring Rate Z Direction kgf/cm (lb/in.)	Stiffness Ratio K _x /K _z	Stiffness Ratio K _y /K _z
		Z Dir.	X Dir.	Y Dir.			
KC035	4...10 (9...22)	20 (44)	13 (28)	5 (11)	75 (420)	0.72	0.33
KC045	25...45 (55...99)	90 (196)	55 (121)	25 (55)	235 (1316)	0.64	0.27
KC060	30...95 (66...209)	185 (407)	65 (143)	30 (66)	380 (2128)	0.65	0.28
KC070	50...150 (110...330)	290 (638)	110 (242)	55 (121)	520 (2912)	0.66	0.29
KC075	30...90 (66...198)	170 (374)	105 (231)	40 (88)	170 (952)	0.71	0.31
KC080	35...135 (77...297)	260 (572)	155 (341)	60 (132)	300 (1680)	0.72	0.3
KC075BP	30...90 (66...198)	170 (374)	105 (231)	40 (88)	170 (952)	0.71	0.31
KC080BP	35...135 (77...297)	260 (572)	155 (341)	60 (132)	300 (1680)	0.72	0.3
KC100BP	100...300 (220...660)	600 (1320)	260 (572)	120 (264)	600 (3360)	0.82	0.27
KC140BP	300...650 (660...1430)	1300 (2860)	550 (1210)	250 (550)	1300 (7280)	0.88	0.31
KC170BP	500...900 (1100...1980)	1750 (3850)	650 (1430)	280 (616)	1700 (9520)	0.87	0.27

NOTE: Rubber material is natural rubber of hardness 45 durometer.

* Includes Static and Dynamic Loads.