



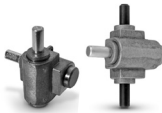
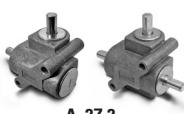





Catalog Series	Material	Ratios	Pages
 A 2Z18-E...	<b>Worm Gear Speed Reducers</b> Precision Quality Hardened Carbon Steel Worms and Phosphor Bronze Worm Wheels Bearings (Input): Ball Bearings (Output): Sintered Bronze	7.5:1 thru 100:1	12-14
 A 2Z19-E...	<b>Worm Gear Speed Reducers</b> High Torque & Precision Quality Hardened Carbon Steel Worms and Phosphor Bronze Worm Wheels Bearings (Input): Ball Bearings (Output): Sintered Bronze	6:1 thru 100:1	12-15
 A 2Z22-...	<b>Right Angle Helical Gear Speed Reducers</b> Light-Duty Base-Mounted Hardened Steel Helical Gears	1:1 thru 25:1	12-16
 A 2Z23-...08	<b>Right Angle Helical Gear Speed Reducers</b> Light-Duty Panel-Mounted Hardened Steel Helical Gears	1:1 thru 25:1	12-17
 A 2Z 1-...	<b>Right Angle and Dual Helical Gear Drives</b> Light-Duty Steel Gears Oilite Bearings	1:1	12-18
 A 2Z 2-...	<b>Right Angle and Dual Helical Gear Drives</b> Heavy-Duty Steel Helical Gears Steel Ball Bearings	1:1	12-19
 A 2Z 3-2...	<b>Right Angle Helical Gear Drives</b> Light-Duty Panel-Mounted Steel Helical Gears Oilite Bearings	1:1	12-20
 A 2Z11-...	<b>Miniature Right Angle Helical Gear Drives</b> Base-Mounted Hardened Steel Helical Gears Nonmetallic Bearings	1:1 and 2:1	12-21
 A 2Z11-...	<b>Miniature Right Angle Helical Gear Drives</b> Panel-Mounted Hardened Steel Helical Gears Nonmetallic Bearings	1:1 and 2:1	12-22

- I
- R
- T
- 1
- 2
- 3
- 4
- 5
- 6
- 7
- 8
- 9
- 10
- 11
- 12**
- 13
- 14
- 15
- 16

Catalog Series	Material	Ratios	Pages
 <p><b>S991MY-...</b></p>	<p><b>Right Angle Helical Gear Drives Mini-Shaft Drive</b> Heavy-Duty Sealed Ball Bearings Heat-Treated Steel Gears</p>	1:1	12-23
 <p><b>S991HY-C...</b></p>	<p><b>Right Angle Helical Gear Drives Hollow-Shaft Drive</b> Heavy-Duty Sealed Ball Bearings Heat-Treated Steel Gears</p>	2:1	12-24
 <p><b>S991HY-(A,B)...</b></p>	<p><b>Right Angle Helical Gear Drives Hollow-Shaft Drive</b> Heavy-Duty Sealed Ball Bearings Heat-Treated Steel Gears</p>	1:1 and 1.5:1	12-25
 <p><b>S991SY-...</b></p>	<p><b>Right Angle Helical Gear Drives Key Drive</b> Heat-Treated Steel Gears</p>	1:1	12-26
 <p><b>S9957Y-UFM</b></p>	<p><b>Foot Mounts for Key Drive</b> 6061 Aluminum Alloy Black Anodized Finish</p>	—	12-27

1:1 RATIO

PHONE: 516.328.3300 • FAX: 516.326.8827 • WWW.SDP-SI.COM

**> MATERIAL:**

- Housing** - Aluminum, Green Anodized
- Bevel Shafts** - 303 Stainless Steel
- Bearings - Input** - Precision Sealed Ball Bearings
- Output** - Precision Sealed Ball Bearings



**> LUBRICATION:**

Greased for life

**> OPERATING TEMPERATURE:**

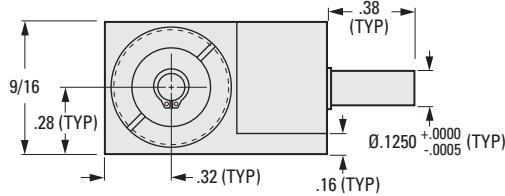
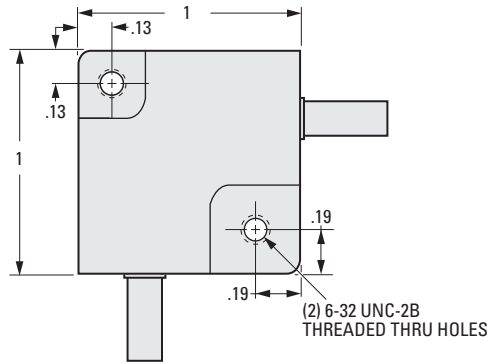
-5°F to 175°F

**> SPECIFICATIONS:**

- Maximum Input Speed:**  
2000 rpm
- Backlash:** 1°
- Low Backlash:** .5° available

**> WEIGHT:**

.07 lb.



INCH COMPONENT	
Catalog Number	
S9914F-G16	
*S9914F-G16R	
S9914F-G16H	
*S9914F-G16L	

\* Low Backlash: .5°

**> OPERATING LIFE:** Hours

Torque ozf in.	rpm					
	50	100	200	500	1000	2000
<b>Catalog Number: S9914F-G16 and S9914F-G16R</b>						
2	20000	20000	20000	20000	20000	18000
2.25	20000	20000	17000	6000	2600	1100
2.5	15000	7500	3650	1400	660	310
2.75	8100	4000	1950	740	350	160
3	4500	2200	1100	420	200	90
<b>Catalog Number: S9914F-G16H and S9914F-G16L</b>						
4	20000	20000	20000	20000	20000	11700
4.5	20000	20000	20000	9100	4000	1700
5	20000	9500	4500	1650	790	370
5.5	9500	4700	2300	880	420	190
6	5250	2500	1250	480	230	100
6.5	3100	1500	750	280	130	60
7	1900	940	450	170	80	40

- I
- R
- T
- 1
- 2
- 3
- 4
- 5
- 6
- 7
- 8
- 9
- 10
- 11
- NEW
- 13
- 14
- 15
- 16

## RIGHT ANGLE WORM GEAR DRIVES

PHONE: 516.328.3300 • FAX: 516.326.8827 • WWW.SDP-SI.COM

INPUT SPEEDS UP TO 2000 rpm  
MULTIPLE RATIOS

### > MATERIAL:

**Housing** - Aluminum Alloy,  
Chromate Conversion Finish

**Shafts** - Stainless Steel

**Bearings** - Sintered Bronze

**Worm Gear** - Steel

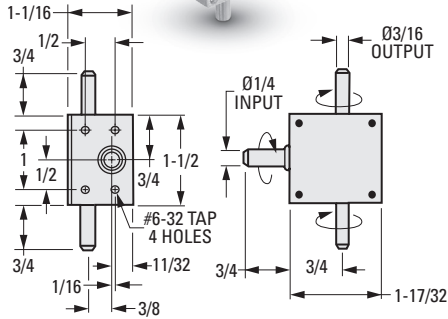
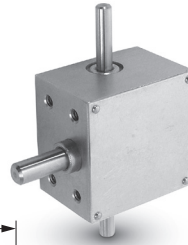
**Worm** - Steel

### > SPECIFICATIONS:

**Output Torque:** 200 ozf in.

**Maximum Backlash:** 5°

**Maximum Input Speed:** 2000 rpm



### INCH COMPONENT

Catalog Number	Gear Ratio
A 2Z 4-050	5:1
A 2Z 4-100	10:1
A 2Z 4-200	20:1

## RIGHT ANGLE BEVEL GEAR DRIVES

INPUT SPEEDS UP TO 2000 rpm  
MULTIPLE RATIOS

### > MATERIAL:

**Housing** - Aluminum Alloy,  
Chromate Conversion Finish

**Shafts** - Stainless Steel

**Bearings** - Sintered Bronze

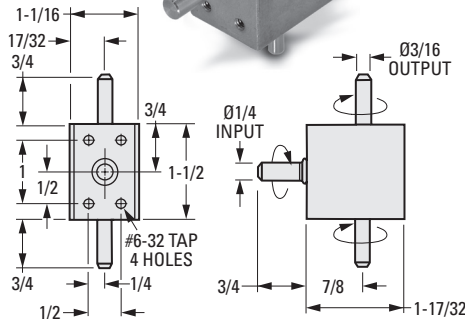
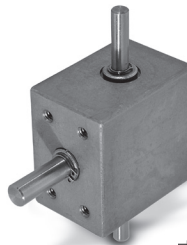
**Bevel Gears** - Brass

### > SPECIFICATIONS:

**Output Torque:** 200 ozf in.

**Maximum Backlash:** 5°

**Maximum Input Speed:** 2000 rpm



### INCH COMPONENT

Catalog Number	Gear Ratio
S9914Y-G1566-01	1:1
S9914Y-G1566-02	2:1
S9914Y-G1566-03	3:1