

TENSIONER ARMS

SDP/SI

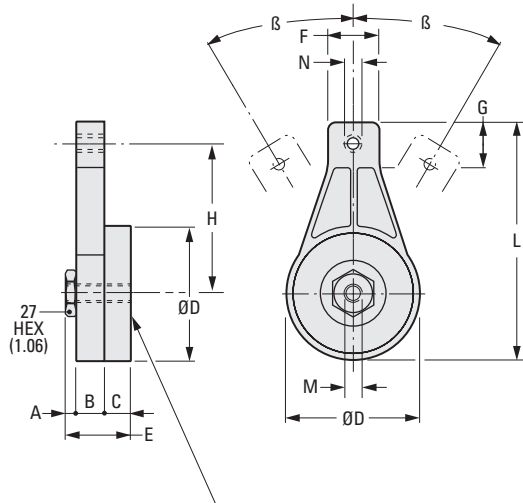
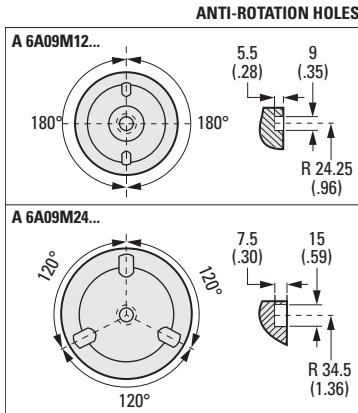
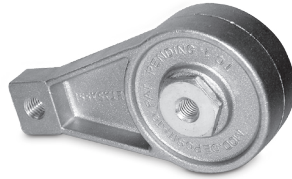
SPRING-LOADED
AUTOMATICALLY KEEPS TENSION CONSTANT

PHONE: 516.328.3300 • FAX: 516.326.8827 • WWW.SDP-SI.COM



> MATERIAL:

- Arm - Acetal, **A 6Z09M...**
- Arm - High-Tensile Die-Cast Aluminum Alloy, **A 6A09M...**



METRIC COMPONENT

Dimensions in () are inch.

Catalog Number	Load N (lbf)		A	B	C	D Dia.	E	F	G
	Min.	Max.							
A 6Z09M08016008	80 (18)	160 (36)	5 (.20)	15 (.59)	15 (.59)	63.3 (2.49)	36 (1.42)	23 (.91)	23 (.91)
A 6Z09M08016010									
A 6Z09M08016012									
A 6A09M12024010	120 (27)	240 (54)	7 (.28)	18 (.71)	18 (.71)	89.5 (3.52)	43 (1.69)	34 (1.34)	30 (1.18)
A 6A09M12024012									
A 6A09M12024016									
A 6A09M24038010	240 (54)	380 (85.5)	M8	M10	M12	M10	M12	M16	M10
A 6A09M24038012									
A 6A09M24038016									
A 6A09M24038020									

Catalog Number (Ref.)	H	L	M	N	B
A 6Z09M08016008	75.5 (2.97)	118 (4.65)	M10	M8	45°
A 6Z09M08016010				M10	
A 6Z09M08016012				M12	
A 6A09M12024010	86.5 (3.41)	133.5 (5.26)	M12	M10	30°
A 6A09M12024012				M12	
A 6A09M12024016				M16	
A 6A09M24038010	100 (3.94)	159 (6.26)	M20	M10	30°
A 6A09M24038012				M12	
A 6A09M24038016				M16	
A 6A09M24038020				M20	

Rev: 5.19.15 JC

2-16A

- I
- R
- T
- 1
- NEW
- 3
- 4
- 5
- 6
- 7
- 8
- 9
- 10
- 11
- 12
- 13
- 14
- 15
- 16

BELT TENSIONERS • ROLLER WITH BALL BEARING

SDP/SI

SPRING-LOADED
AUTOMATICALLY KEEPS TENSION CONSTANT

PHONE: 516.328.3300 • FAX: 516.326.8827 • WWW.SDP-SI.COM



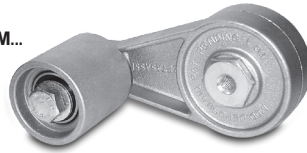
► MATERIAL:

- Arm - Acetal, **A 6TR9M16...**
- Arm - High-Tensile Die-Cast Aluminum Alloy, **A 6AR9M...**

► MATERIAL CODE:

Roller

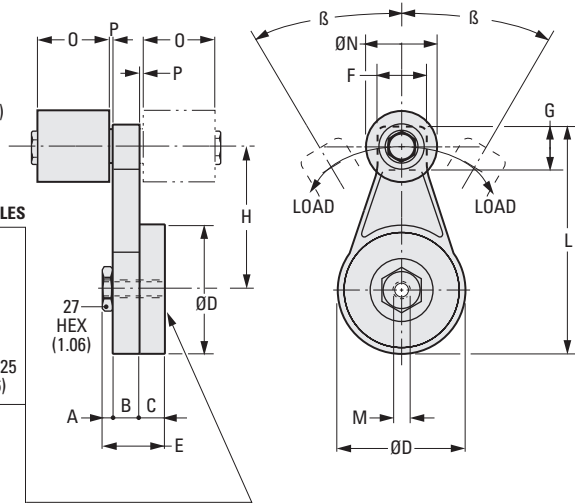
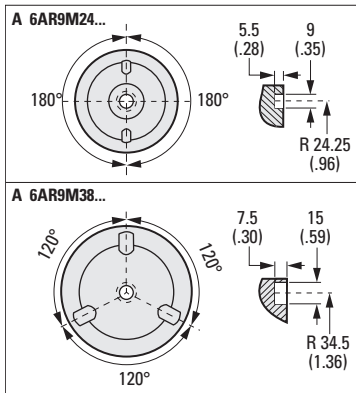
- A** Aluminum
- N** Nylon
- S** Steel (Zinc Plated)



► SPECIFICATIONS:

- Max. Operating Temperature:**
Aluminum and Steel Rollers: 100°C (212°F)
Nylon Rollers: 60°C (140°F)

ANTI-ROTATION HOLES



NEW

3

4

5

6

7

8

9

10

11

12

13

14

15

16

METRIC COMPONENT

Dimensions in () are inch.

Catalog Number	Load N (lbf)		A	B	C	D Dia.	E	F	G
	Min.	Max.							
A 6TR9M16030 <input type="checkbox"/>	80	160	5 (.20)	15	15	63.3	36 (1.42)	23	23
A 6TR9M16040N <input type="checkbox"/>	(18)	(36)		15.3	15.3	(2.49)		29.5	25
A 6TR9M16050 <input type="checkbox"/>	(27)	(54)		(.60)	(.60)	(2.74)		(1.16)	(.98)
A 6AR9M24045N <input type="checkbox"/>	120	240	7	18	18	89.5	43	34	30
A 6AR9M24050 <input type="checkbox"/>	(27)	(54)	(.28)	(.71)	(.71)	(3.52)	(1.69)	(1.34)	(1.18)
A 6AR9M38050 <input type="checkbox"/>	240	380							
A 6AR9M38060 <input type="checkbox"/>	(54)	(85.5)							

Catalog Number (Ref.)	H	L	M	N Dia.	O	P	B
A 6TR9M16030 <input type="checkbox"/>	75.5 (2.97)	118 (4.65)	M10	30 (1.18)	35 (1.38)	2.5 (1.0)	45°
A 6TR9M16040N <input type="checkbox"/>				40 (1.57)	45 (1.77)	6 (.24)	
A 6TR9M16050 <input type="checkbox"/>				50 (1.97)	50 (1.97)	2.5 (1.0)	
A 6AR9M24045N <input type="checkbox"/>	86.5 (3.41)	133.5 (5.26)	M10	40 (1.57)	45 (1.77)	6 (.24)	
A 6AR9M24050 <input type="checkbox"/>				50 (1.97)	50 (1.97)	2.5 (1.0)	
A 6AR9M38050 <input type="checkbox"/>	100 (3.94)	159 (6.26)	M12	50 (1.97)	50 (1.97)	2.5 (1.0)	30°
A 6AR9M38060 <input type="checkbox"/>				60 (2.36)	60 (2.36)		

- NOTES:** 1. Orientation of roller is supplied as shown. Can be repositioned if necessary.
2. Fill in the box with the desired roller material code to complete the catalog number.

CHAIN TENSIONERS • SPROCKET WITH BALL BEARING

SDP/SI

SPRING-LOADED
AUTOMATICALLY KEEPS TENSION CONSTANT
FOR 3/8" TO 1" PITCH ROLLER CHAINS

PHONE: 516.328.3300 • FAX: 516.326.8827 • WWW.SDP-SI.COM



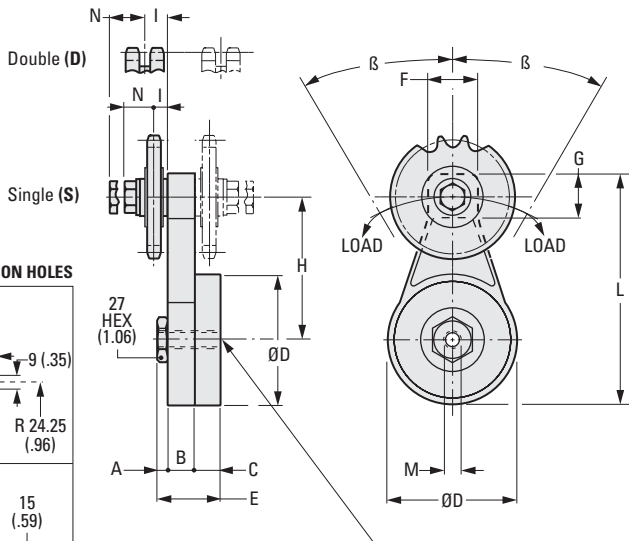
► MATERIAL:

- Arm - Acetal, A 6TS9M3716021S
- Arm - High-Tensile Die-Cast Aluminum Alloy, A 6A99M...
- Sprocket - Steel (Heat-Treated)

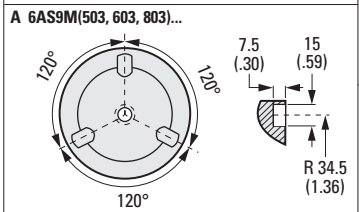
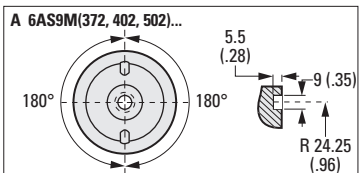


► SPECIFICATION:

Max. Operating Temperature:
100°C (212°F)



ANTI-ROTATION HOLES



METRIC COMPONENT

Dimensions in () are inch.

Catalog Number	Load N (lbf)		Chain Pitch	Teeth	A	B	C	D Dia.	E
	Min.	Max.							
A 6TS9M3716021S	80 (18)	160 (36)	3/8" X 7/32"	21	5 (.20)	15 (.59)	15 (.59)	63.3 (2.49)	36 (1.42)
A 6AS9M3724021S			3/8" X 7/32"	21					
A 6AS9M3724021D			3/8" X 7/32"	21					
A 6AS9M4024016S	120 (27)	240 (54)	1/2" X 5/16"	16	5 (.20)	15.3 (.60)	15.3 (.60)	69.5 (2.74)	36 (1.42)
A 6AS9M4024016D			1/2" X 5/16"	16					
A 6AS9M5024017S			5/8" X 3/8"	17					
A 6AS9M5024017D			5/8" X 3/8"	17					

Catalog Number (Ref.)	F	G	H	I	L	M	N	β
A 6TS9M3716021S	23 (.91)	23 (.91)	75.5 (2.97)	9.2 (.36)	119 (4.69)	M10	19.7 (.78)	45°
A 6AS9M3724021S				9.2 (.36)			19.7 (.78)	
A 6AS9M3724021D				11 (.43)			18 (.71)	
A 6AS9M4024016S				9.2 (.36)			19.7 (.78)	
A 6AS9M4024016D	29.5 (1.16)	25 (.98)	86.5 (3.41)	12.5 (.49)	133.5 (5.26)	M10	16.5 (.65)	45°
A 6AS9M5024017S				9.2 (.36)			19.7 (.78)	
A 6AS9M5024017D				15.2 (.60)			17.7 (.70)	

NOTE: Orientation of roller is supplied as shown. Can be repositioned if necessary.

2-16C

1

R

T

1

NEW

3

4

5

6

7

8

9

10

11

12

13

14

15

16

CHAIN TENSIONERS • SPROCKET WITH BALL BEARING

SDP/SI

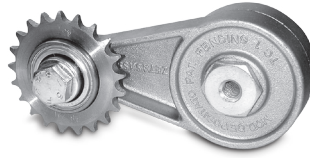
SPRING-LOADED
AUTOMATICALLY KEEPS TENSION CONSTANT
FOR 3/8" TO 1" PITCH ROLLER CHAINS

PHONE: 516.328.3300 • FAX: 516.326.8827 • WWW.SDP-SI.COM



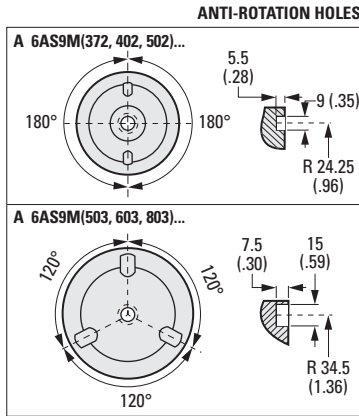
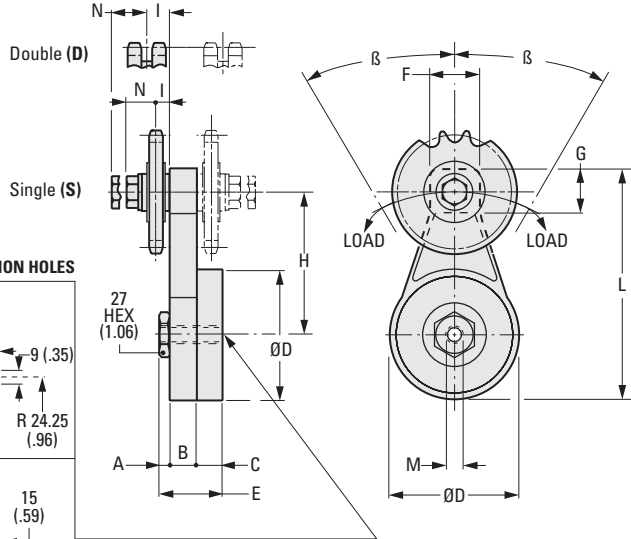
MATERIAL:

- Arm - Acetal, **A 6TS9M3716021S**
- Arm - High-Tensile Die-Cast Aluminum Alloy, **A 6AR9M...**
- Sprocket - Steel (Heat-Treated)



SPECIFICATION:

Max. Operating Temperature:
100°C (212°F)



METRIC COMPONENT

Dimensions in () are inch.

Catalog Number	Load N (lbf)		Chain Pitch	Teeth	A	B	C	D Dia.	E
	Min.	Max.							
A 6AS9M5038017S	240 (54)	380 (85.5)	5/8" X 7/32"	17	7 (.28)	18 (.71)	18 (.71)	89.5 (3.52)	43 (1.69)
A 6AS9M5038017D									
A 6AS9M6038015S									
A 6AS9M6038015D									
A 6AS9M8038012S									
A 6AS9M8038012D									

Catalog Number (Ref.)	F	G	H	I	L	M	N	B
A 6AS9M5038017S	34 (1.34)	30 (1.18)	100 (3.94)	9.2 (.36)	159 (6.26)	M12	19.7 (.78)	30°
A 6AS9M5038017D				15.2 (.60)			17.7 (.70)	
A 6AS9M6038015S				9.2 (.36)			19.7 (.78)	
A 6AS9M6038015D				17.6 (.69)			19.2 (.76)	
A 6AS9M8038012S				8.9 (.35)			19.4 (.76)	
A 6AS9M8038012D				26.6 (1.05)			34.6 (1.36)	

NOTE: Orientation of roller is supplied as shown. Can be repositioned if necessary.

Continued from the previous page

Rev: 5.19.15 JC

2-16D

- I
- R
- T
- 1
- NEW**
- 3
- 4
- 5
- 6
- 7
- 8
- 9
- 10
- 11
- 12
- 13
- 14
- 15
- 16