

FOR COMPRESSION LOADS OF 330 lbf
SHEAR LOADS OF 140 lbf

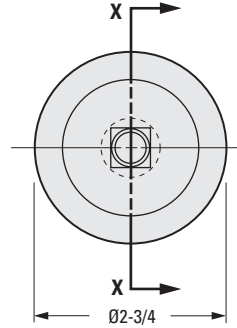
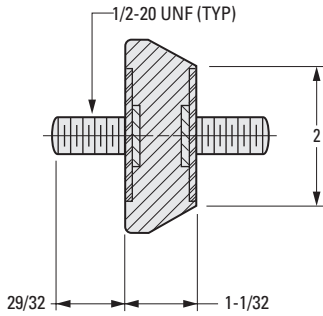
PHONE: 516.328.3300 • FAX: 516.326.8827 • WWW.SDP-SI.COM

► MATERIAL:

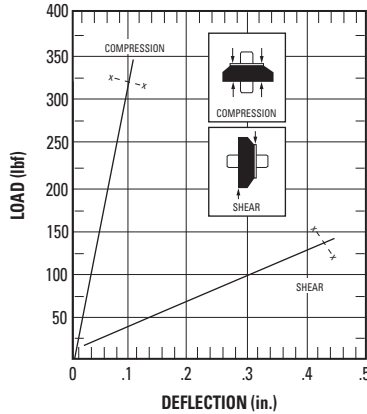
Fastener - Steel, Zinc Plated
Isolator - Natural Rubber

► LOAD DEFLECTION GRAPHS:

Deflections below the line x-x are considered safe practice for static loads; data above that line are useful for calculating deflections under dynamic loads.



SECTION X-X



INCH COMPONENT CATALOG NUMBER

A 10Z 2-330 B

Compression		Forcing Frequency in Cycles per Minute								
Load Rating	Maximum Load lbf	700	850	1100	1250	1500	1750	2000	2250	2500
B	330	Minimum Load for 81% Isolation (lbf)								
		—	—	—	—	255	190	150	120	90

Shear		Forcing Frequency in Cycles per Minute								
Load Rating	Maximum Load lbf	700	850	1100	1250	1500	1750	2000	2250	2500
B	140	Minimum Load for 81% Isolation (lbf)								
		140	105	65	52	38	32	*	*	*

* At these forcing frequencies, lesser loads will yield less than 81% isolation.

- I
- R
- T
- 1
- 2
- 3
- 4
- 5
- 6
- 7
- 8
- 9
- 10
- 11
- 12
- 13
- 14
- 15
- 16