

AGMA 12  
20° PRESSURE ANGLE

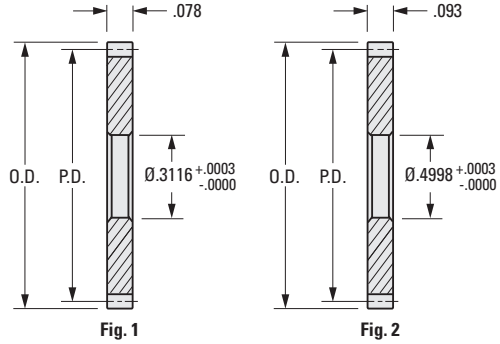
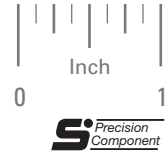
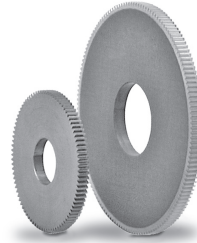
PHONE: 516.328.3300 • FAX: 516.326.8827 • WWW.SDP-SI.COM

**MATERIAL:**

- 303 Stainless Steel
- 2024 Aluminum, Anodized before hobbing

The end gears shown on this page will be assembled to differentials which are ordered at the same time, free of charge.

Available on special order:  
14-1/2° P.A., teeth not listed, different bore size and/or material, passivation for Stainless Steel.



INCH COMPONENT	
Catalog Number	
303 Stainless Steel	2024 Aluminum Anodized

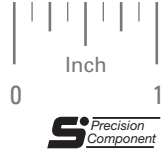
		No. of Teeth	P.D.	O.D.
<b>Fig. 1 5/64 Face .3116 Bore</b>				
S1239Z-096S090C	S1239Z-096A090C	90	.9375	.9583
S1239Z-096S100C	S1239Z-096A100C	100	1.0417	1.0625
S1239Z-096S110C	S1239Z-096A110C	110	1.1458	1.1667
S1239Z-096S150C	S1239Z-096A150C	150	1.5625	1.5833
<b>Fig. 2 3/32 Face .4998 Bore</b>				
S1249Z-096S100C	S1249Z-096A100C	100	1.0417	1.0625
S1249Z-096S120C	S1249Z-096A120C	120	1.2500	1.2708
S1249Z-096S130C	S1249Z-096A130C	130	1.3542	1.3750
S1249Z-096S150C	S1249Z-096A150C	150	1.5625	1.5833

# DIFFERENTIAL END GEARS • 72 PITCH



PHONE: 516.328.3300 • FAX: 516.326.8827 • WWW.SDP-SI.COM

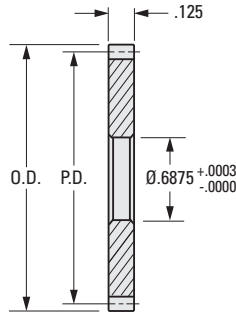
AGMA 12  
1/8 FACE  
11/16 BORE  
20° PRESSURE ANGLE



**MATERIAL:**  
303 Stainless Steel  
2024 Aluminum, Anodized before hobbing

The end gears shown on this page will be assembled, free of charge, to differentials which are ordered at the same time.

Available on special order:  
14-1/2° P.A., teeth not listed, different bore size and/or material, passivation for Stainless Steel.



INCH COMPONENT		No. of Teeth	P.D.	O.D.
Catalog Number				
303 Stainless Steel	2024 Aluminum Anodized			
S1269Z-072S070C	S1269Z-072A070C	70	.9722	1.0000
S1269Z-072S072C	S1269Z-072A072C	72	1.0000	1.0278
S1269Z-072S090C	S1269Z-072A090C	90	1.2500	1.2778
S1269Z-072S096C	S1269Z-072A096C	96	1.3333	1.3611
S1269Z-072S100C	S1269Z-072A100C	100	1.3889	1.4167
S1269Z-072S120C	S1269Z-072A120C	120	1.6667	1.6944
S1269Z-072S130C	S1269Z-072A130C	130	1.8056	1.8333
S1269Z-072S140C	S1269Z-072A140C	140	1.9444	1.9722
S1269Z-072S144C	S1269Z-072A144C	144	2.0000	2.0278

AGMA 12  
20° PRESSURE ANGLE

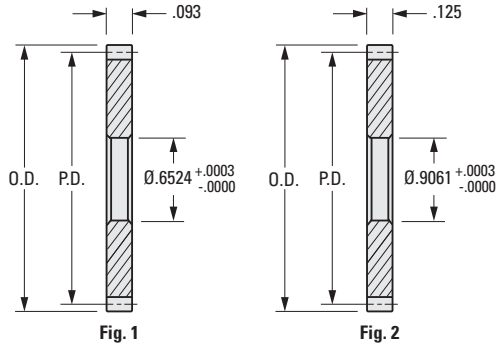
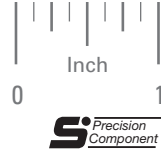
PHONE: 516.328.3300 • FAX: 516.326.8827 • WWW.SDP-SI.COM

**> MATERIAL:**

- 303 Stainless Steel
- 2024 Aluminum, Anodized before hobbing

The end gears shown on this page will be assembled to differentials which are ordered at the same time, free of charge.

Available on special order:  
14-1/2° P.A., teeth not listed, different bore size and/or material, passivation for Stainless Steel.



**INCH COMPONENT**

Catalog Number		No. of Teeth	P.D.	O.D.
303 Stainless Steel	2024 Aluminum Anodized			
<b>Fig. 1 3/32 Face .6524 Bore</b>				
S1249Z-064S072C	S1249Z-064A072C	72	1.1250	1.1563
S1249Z-064S080C	S1249Z-064A080C	80	1.2500	1.2813
S1249Z-064S090C	S1249Z-064A090C	90	1.4063	1.4375
S1249Z-064S096C	S1249Z-064A096C	96	1.5000	1.5313
S1249Z-064S100C	S1249Z-064A100C	100	1.5625	1.5938
S1249Z-064S110C	S1249Z-064A110C	110	1.7188	1.7500
S1249Z-064S120C	S1249Z-064A120C	120	1.8750	1.9063
<b>Fig. 2 1/8 Face .9061 Bore</b>				
S1269Z-064S080C	S1269Z-064A080C	80	1.2500	1.2813
S1269Z-064S090C	S1269Z-064A090C	90	1.4063	1.4375
S1269Z-064S096C	S1269Z-064A096C	96	1.5000	1.5313
S1269Z-064S100C	S1269Z-064A100C	100	1.5625	1.5938
S1269Z-064S110C	S1269Z-064A110C	110	1.7188	1.7500
S1269Z-064S120C	S1269Z-064A120C	120	1.8750	1.9063
S1269Z-064S130C	S1269Z-064A130C	130	2.0313	2.0625

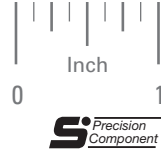
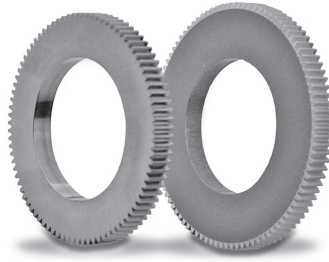
- I
- R
- T
- 1**
- 2
- 3
- 4
- 5
- 6
- 7
- 8
- 9
- 10
- 11
- 12
- 13
- 14
- 15
- 16

# DIFFERENTIAL END GEARS • 48 PITCH



AGMA 12  
 3/16 FACE  
 1-1/8 BORE  
 20° PRESSURE ANGLE

PHONE: 516.328.3300 • FAX: 516.326.8827 • WWW.SDP-SI.COM

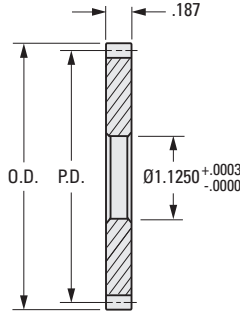


**➤ MATERIAL:**

- 303 Stainless Steel
- 2024 Aluminum, Anodized before hobbing

The end gears shown on this page will be assembled, free of charge, to differentials which are ordered at the same time.

Available on special order:  
 14-1/2° P.A., teeth not listed, different bore size and/or material, passivation for Stainless Steel.



## INCH COMPONENT

Catalog Number		No. of Teeth	P.D.	O.D.
303 Stainless Steel	2024 Aluminum Anodized			
S1289Z-048S069C	S1289Z-048A069C	69	1.4375	1.4792
S1289Z-048S072C	S1289Z-048A072C	72	1.5000	1.5417
S1289Z-048S080C	S1289Z-048A080C	80	1.6667	1.7083
S1289Z-048S082C	S1289Z-048A082C	82	1.7083	1.7500
S1289Z-048S086C	S1289Z-048A086C	86	1.7917	1.8333
S1289Z-048S090C	S1289Z-048A090C	90	1.8750	1.9167
S1289Z-048S095C	S1289Z-048A095C	95	1.9792	2.0208
S1289Z-048S096C	S1289Z-048A096C	96	2.0000	2.0417
S1289Z-048S100C	S1289Z-048A100C	100	2.0833	2.1250
S1289Z-048S120C	S1289Z-048A120C	120	2.5000	2.5417

