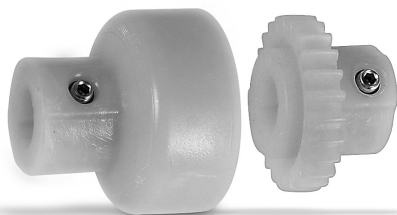


TWO-PIECE JUNIOR COUPLINGS

SDP/SI

CROWNED GEAR TEETH
 CHEMICAL-RESISTANT NYLON
 NO NEED FOR LUBRICATION
 ELECTRICALLY ISOLATED

PHONE: 516.328.3300 • FAX: 516.326.8827 • WWW.SDP-SI.COM



> MATERIAL:

Nylon

> OPERATING TEMPERATURE:

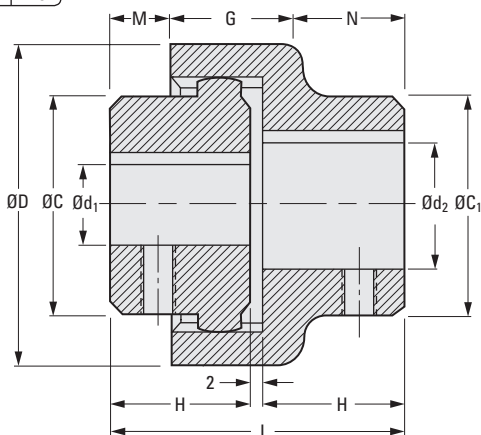
-25°C to +100°C

> MAX. OPERATING SPEED:

6000 rpm

Keyway Dimensions

Bore	6	8	10	12	14	16	18	20
w	2	2	3	4	5	5	6	6
t	1	1	1.4	1.8	2.3	2.3	2.8	2.8



METRIC COMPONENT

Catalog Number	d ₁ Bore	d ₂ Bore	C	C ₁	D	H	L	M	N	G	Torque N • m	
											Nom.	Max.
BoWex® Size JR-14												
S5911YMJR140610	6	10	22	25	40	23	48	8	17	23	5	10
S5911YMJR140810	8		25									
S5911YMJR141010	10											
S5911YMJR141212	12	12	26	26	40	23	48	8	17	23	5	10
S5911YMJR141214	12	14										
S5911YMJR141414	14											
BoWex® Size JR-19												
S5911YMJR191214	12	14	27	29	48	25	52	10	19	23	8	16
S5911YMJR191414	14		30									
S5911YMJR191614	16											
BoWex® Size JR-24												
S5911YMJR241014	10	14	26	32	52	26	54	9	20	25	12	24
S5911YMJR241214	12											
S5911YMJR241414	14	14	32	32								
S5911YMJR241614	16											
S5911YMJR241820	18											
S5911YMJR242020	20	20	36	36								

NOTES: 1. Hub diameters (C, C₁) are not to exceed dimensions; some smaller bores may have smaller hub diameters.
 2. M5 set-screw, located 180° opposite from keyway.

6-68
D805

I

R

T

1

2

3

4

5

6

7

8

9

10

11

12

13

14

15

A

THREE-PIECE JUNIOR COUPLINGS

SDP/SI

PHONE: 516.328.3300 • FAX: 516.326.8827 • WWW.SDP-SI.COM

CROWNED GEAR TEETH
 CHEMICAL-RESISTANT NYLON
 NO NEED FOR LUBRICATION
 ELECTRICALLY ISOLATED



➤ **MATERIAL:**

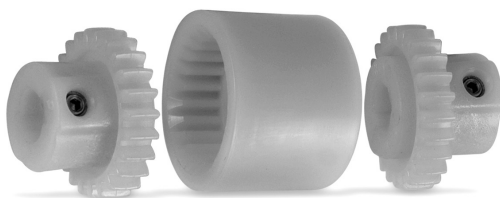
Nylon

➤ **OPERATING TEMPERATURE:**

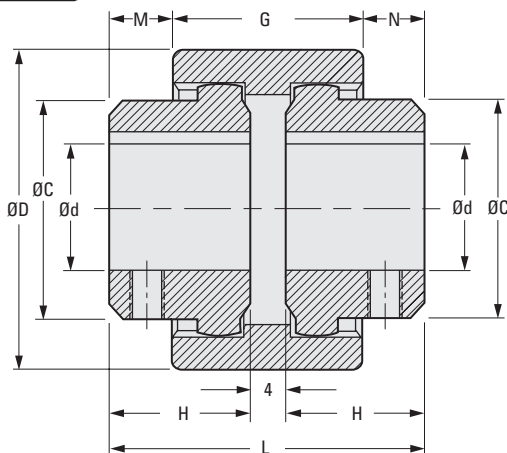
-25°C to +100°C

➤ **MAX. OPERATING SPEED:**

6000 rpm



Keyway Dimensions								
Bore	6	8	10	12	14	16	18	20
w	2	2	3	4	5	5	6	6
t	1	1	1.4	1.8	2.3	2.3	2.8	2.8



METRIC COMPONENT

Catalog Number	d Bore	C	D	H	L	M/N	G	Torque N•m	
								Nom.	Max.
BoWex® Size JRM-14									
S5911YMJRM1406	6	22	40	23	50	6.5	37	5	10
S5911YMJRM1408	8								
S5911YMJRM1410	10								
S5911YMJRM1412	12								
S5911YMJRM1414	14	26							
BoWex® Size JRM-19									
S5911YMJRM1912	12	27	48	25	54	8.5	37	8	16
S5911YMJRM1914	14								
S5911YMJRM1916	16	30							
BoWex® Size JRM-24									
S5911YMJRM2410	10	26	52	26	56	7.5	41	12	24
S5911YMJRM2412	12								
S5911YMJRM2414	14								
S5911YMJRM2416	16								
S5911YMJRM2418	18								
S5911YMJRM2420	20	36							

NOTES: 1. Hub diameters (C) are not to exceed dimensions; some smaller bores may have smaller hub diameters.
 2. M5 set-screw, located 180° opposite from keyway.

6-69
D805