

TECHNICAL INFORMATION

PHONE: 516.328.3300 • FAX: 516.326.8827 • WWW.SDP-SI.COM



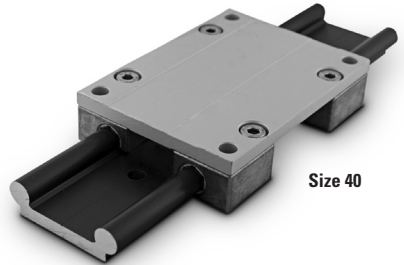
Linear Guide System – Heavy-Duty

Carriage assembly slides over the specially profiled, hard anodized aluminum rails. It is available in two sizes.

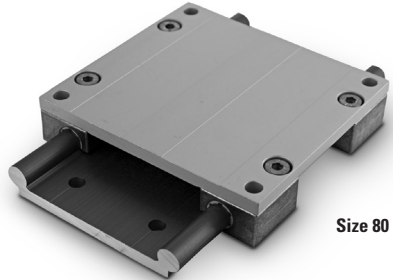
Unique features include:

- › Low friction without lubrication
- › Resistance to dirt and dust
- › Low weight
- › Quiet operation
- › Low wear
- › Maintenance-free

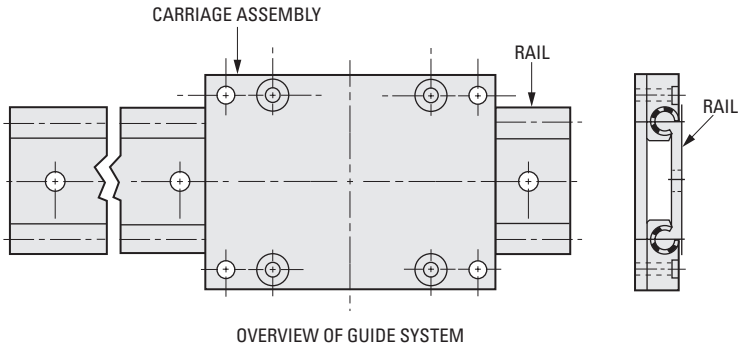
The sliding element is a specially formulated polymer material best suited for hard anodized aluminum rails. This combination results in low abrasion leading to excellent durability. The preconfigured parallel rails eliminate alignment problems and speed assembly. The carriage and rail combination is a compact, space-saving design with easy installation. The low and wide profile withstands high torque.



Size 40



Size 80



OVERVIEW OF GUIDE SYSTEM

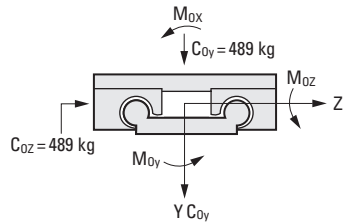
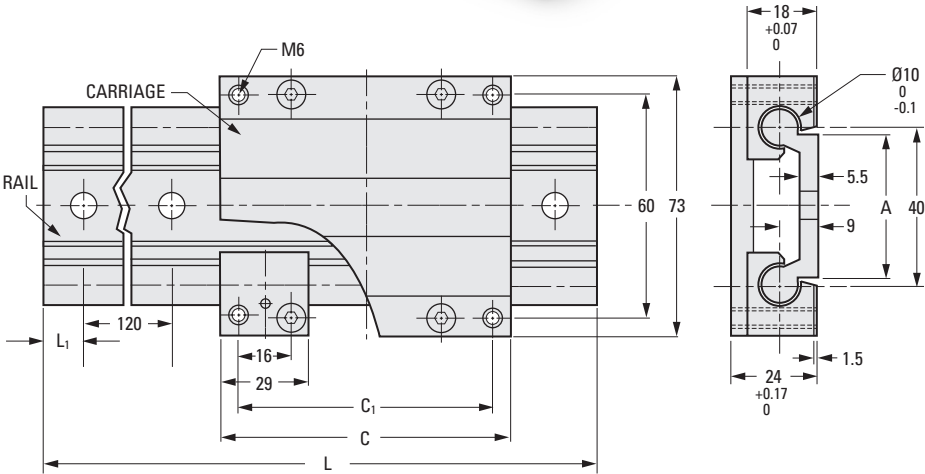
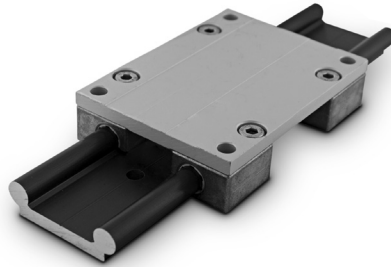
LOW FRICTION
LIGHTWEIGHT
MAINTENANCE-FREE

PHONE: 516.328.3300 • FAX: 516.326.8827 • WWW.SDP-SI.COM



> MATERIAL:

- Rails** - Hard Anodized Aluminum
- Carriage Assembly - Plate** - Aluminum
- Blocks** - Die Cast Zinc
- Bearings** - J® Polymer



C= STATIC LOAD CAPACITY

METRIC COMPONENT

Catalog Number	L Length mm	L1	A 0 -0.3	C	C1	Moment Load Capacity kg • m			Weight kg
						Mox	Moy	Moz	
Rails									
S99GWRM401000	1000	20	40	-	-	-	-	-	1
S99GWRM402000	2000	40	40	-	-	-	-	-	2
S99GWRM404000	4000	20	40	-	-	-	-	-	4
Carriage Assembly									
S99GWC40100	-	-	-	100	87	9.789	17.323	17.323	0.29
S99GWC40150	-	-	-	150	137	9.789	29.559	29.559	0.34
S99GWC40200	-	-	-	200	187	9.789	41.808	41.808	0.4

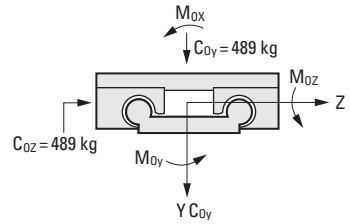
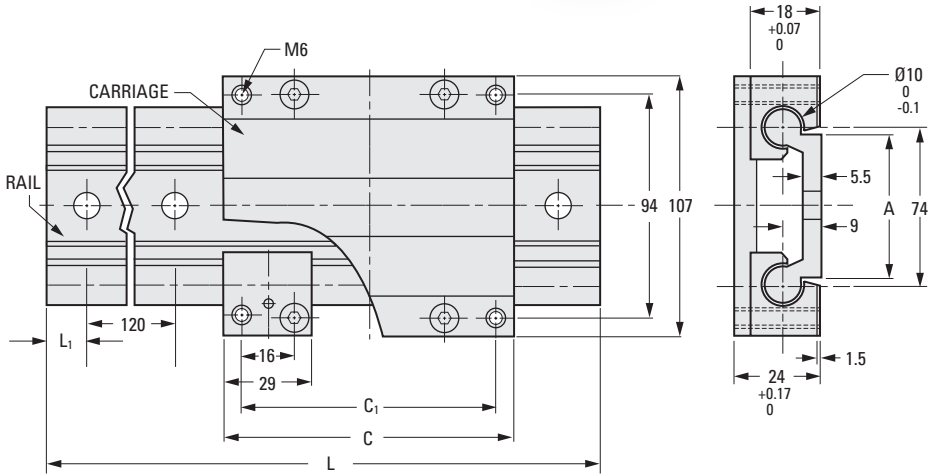
LOW FRICTION
LIGHTWEIGHT
MAINTENANCE-FREE

PHONE: 516.328.3300 • FAX: 516.326.8827 • WWW.SDP-SI.COM



> MATERIAL:

- Rails** - Hard Anodized Aluminum
- Carriage Assembly - Plate** - Aluminum
- Blocks** - Die Cast Zinc
- Bearings** - J® Polymer



C = STATIC LOAD CAPACITY

METRIC COMPONENT

Catalog Number	L Length mm	L ₁	A 0 -0.3	C	C ₁	Moment Load Capacity kg • m			Weight kg
						M _{Ox}	M _{Oy}	M _{Oz}	
Rails									
S99GWRM801000	1000	20	74	-	-	-	-	-	1.5
S99GWRM802000	2000	40	74	-	-	-	-	-	3
S99GWRM804000	4000	20	74	-	-	-	-	-	6
Carriage Assembly									
S99GWC80100	-	-	-	100	87	18.139	17.337	17.337	0.34
S99GWC80150	-	-	-	150	137	18.139	29.559	29.559	0.42
S99GWC80200	-	-	-	200	187	18.139	41.808	41.808	0.5