

LOCKING HUB BUSHINGS

SDP/SI

THREE-PIECE FRICTION GRIP CONSTRUCTION
CONNECTS ROTATING COMPONENT TO SHAFT
TRANSMITS HIGH TORQUE WITHOUT KEYWAYS

PHONE: 516.328.3300 • FAX: 516.326.8827 • WWW.SDP-SI.COM



> MATERIAL:
Carbon Steel

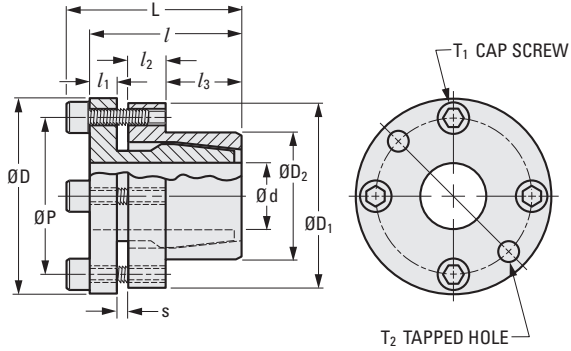
> FINISH:
Nickel Plated

> SPECIFICATIONS:

* Tolerance of mating shaft diameter (h8):
6 mm 0/-0.018
7 to 10 mm 0/-0.022
12 to 18 mm 0/-0.027
20 mm 0/-0.033

** Tolerance of mating bore of mounted component (H7):
12 to 18 mm +0.018/0
20 to 28 mm +0.021/0

Configuration and number of cap screws and tapped holes varies depending on catalog number.



The projections shown are per ISO convention.

METRIC COMPONENT

Catalog Number	d* Bore	D Dia.	D1 Dia.	D2** Dia.	P Dia.	L	l	l1	l2	l3	s	T1 Cap Screw	T2 Tapped Hole	Max. Torque N • m	Allow. Axial Force N	Bolt Tight. Torque N • m
S21AMYM062524	6	25	23	12	17	24	20	3.5	5	10	1.5	2-M4x8	2-M4	6	1948	2
S21AMYM072524	7	28	26	15	20	28	24	5	5	12	2	3-M4x10	3-M4	23	5898	4
S21AMYM082828	8													26		
S21AMYM092828	9													27		
S21AMYM103128	10	31	29	18	23	28	24	5	5	12	2	3-M4x10	3-M4	29	5898	4
S21AMYM123328	12	33	31	20	25									47		
S21AMYM143528	14	35	33	22	27									47		
S21AMYM153934	15	39	36	23	29	34	29	6	7	14	2	4-M5x12	2-M5	95	12700	8
S21AMYM164034	16	40	37	24	30									100		
S21AMYM184234	18	42	39	26	32									110		
S21AMYM204434	20	44	41	28	34	34	29	6	7	14	2	4-M5x12	2-M5	130	12700	8

4-8
D805

1

R

T

1

2

3

4

5

6

7

8

9

10

11

12

13

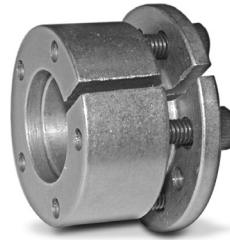
14

15

A

FITS COMPONENTS WITH LIMITED HUB O.D.
 ELIMINATES KEYS OR SPLINES
 IMPROVES FIT CONCENTRICITY
 DEFINED AXIAL HUB POSITION
 EASY AXIAL OR ANGULAR TIMING

PHONE: 516.328.3300 • FAX: 516.326.8827 • WWW.SDP-SI.COM

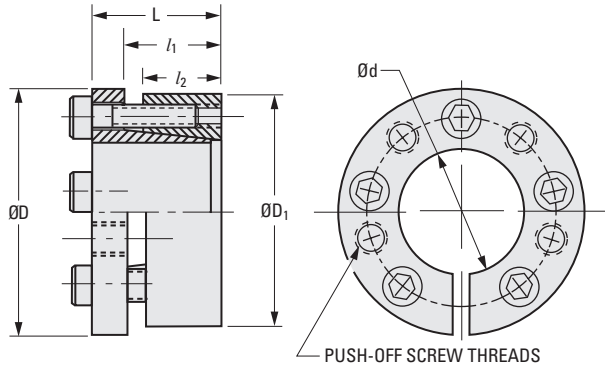


> MATERIAL:

- Inner Body** - Steel
- Outer Sleeve** - Steel
- Socket Head Screws** - Alloy Steel, Black Oxide Finish

> SPECIFICATION:

* Tolerance of shaft diameter and mating mounted component bore is ± 0.025 .



The projections shown are per ISO convention.

METRIC COMPONENT

Catalog Number	d* Bore	D Dia.	D ₁ Dia.	L	l ₁	l ₂	Locking Screw Size	Qty.	Screw Tightening Torque N • m	Max. Torque N • m
S21HSCM062024	6	23.8	20.6	16.5	13.1	10	M4	3	4.3	19
S21HSCM082225	8	25.4	22.2	16.5	13.1	10	M4	3	5	29
S21HSCM102427	10	27	23.8	16.5	13.1	10	M4	3	5	36
S21HSCM122730	12	30.2	27	16.5	13.1	10	M4	4	5	58
S21HSCM153033	15	33.3	30.2	20.5	15.1	12	M4	6	5	109
S21HSCM163033	16	33.3	30.2	20.5	15.1	12	M4	6	5	117
S21HSCM204045	20	44.5	39.7	25	19.2	15	M5	6	10	234
S21HSCM254348	25	47.6	42.9	25	19.2	15	M5	8	10	390

- I
- R
- T
- 1
- 2
- 3
- 4
- 5
- 6
- 7
- 8
- 9
- 10
- 11
- 12
- 13
- 14
- 15
- A