

O-RINGS

SDP/SI

FOR USE WITH FRELON® LINED
LINEAR BEARINGS

PHONE: 516.328.3300 • FAX: 516.326.8827 • WWW.SDP-SI.COM

> **MATERIAL:**

Neoprene, Approx. 70 Durometer

> **SPECIFICATIONS:**

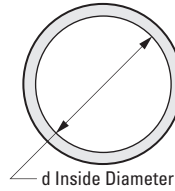
Operating Temperature: -54°C to +99°C

10% elongation is permissible.

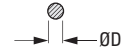


METRIC COMPONENT

Catalog Number	D Dia.	d Dia.
A 6R11ML009713	1.3	9.7
A 6R11ML016015	1.5	16
A 6R11ML025015	1.5	25
A 6R11ML018015	1.5	18
A 6R11ML014116	1.6	14.1
A 6R11ML021116	1.6	21.1
A 6R11ML013017	1.7	13
A 6R11ML012817	1.78	12.83
A 6R11ML011819	1.96	11.89
A 6R11ML015520	2	15.5
A 6R11ML017525	2.5	17.5
A 6R11ML021525	2.5	21.5
A 6R11ML027525	2.5	27.5
A 6R11ML030525	2.5	30.5
A 6R11ML035525	2.5	35.5
A 6R11ML042526	2.62	42.52
A 6R11ML046035	3.5	46
A 6R11ML056035	3.5	56
A 6R11ML069035	3.5	69
A 6R11ML081050	5	81



Cross-Section



I

R

T

1

2

3

4

5

6

7

8

9

10

11

12

13

14

15

A

ROUND ENDLESS BELTS • O-RINGS

SDP/SI

METRIC - 2, 3, 4 & 5 mm DIAMETER

PHONE: 516.328.3300 • FAX: 516.326.8827 • WWW.SDP-SI.COM

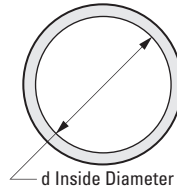
> MATERIAL:

Neoprene, Approx. 70 Durometer compounded for use in mechanical belt drives

> SPECIFICATIONS:

Operating Temperature: -54°C to +99°C

10% elongation is permissible.



Cross-Section



d Inside Diameter

METRIC COMPONENT

Catalog Number	D Dia.	d Dia.
A 6R11M02010	2	10
A 6R11M02011	2	11
A 6R11M02013	2	13
A 6R11M02016	2	16
A 6R11M02017	2	17
A 6R11M02021	2	21
A 6R11M02024	2	24
A 6R11M03014	3	14
A 6R11M03017	3	17
A 6R11M03024	3	24
A 6R11M03027	3	27
A 6R11M03032	3	32
A 6R11M03035	3	35
A 6R11M03038	3	38
A 6R11M03046	3	46
A 6R11M03108	3	108
A 6R11M03114	3	114
A 6R11M03121	3	121
A 6R11M03127	3	127
A 6R11M03133	3	133
A 6R11M03140	3	140
A 6R11M03146	3	146
A 6R11M03152	3	152
A 6R11M03159	3	159
A 6R11M03165	3	165

Catalog Number	D Dia.	d Dia.
A 6R11M03178	3	178
A 6R11M03191	3	191
A 6R11M03203	3	203
A 6R11M03216	3	216
A 6R11M03229	3	229
A 6R11M03241	3	241
A 6R11M03254	3	254
A 6R11M03267	3	267
A 6R11M03279	3	279
A 6R11M03292	3	292
A 6R11M03305	3	305
A 6R11M03330	3	330
A 6R11M03356	3	356
A 6R11M03381	3	381
A 6R11M04041	4	41
A 6R11M04051	4	51
A 6R11M04054	4	54
A 6R11M04057	4	57
A 6R11M04070	4	70
A 6R11M05060	5	60
A 6R11M05079	5	79
A 6R11M05085	5	85
A 6R11M05104	5	104
A 6R11M05111	5	111
A 6R11M05136	5	136

GROOVED PULLEYS

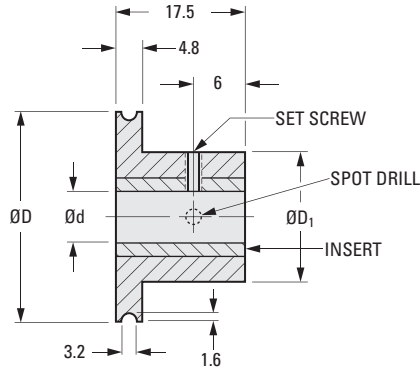
SDP/SI

FOR 3 mm ROUND BELTS
MOLDED WITH INSERT
4.8 mm FACE

PHONE: 516.328.3300 • FAX: 516.326.8827 • WWW.SDP-SI.COM



> MATERIAL:
Body - Acetal
Insert - Brass



METRIC COMPONENT

Catalog Number	D Dia.	d Bore +0.025 0	D ₁ Hub Dia.	Set Screw
A 6T10M121304	12.7	4	16	M3
A 6T10M121904	19.1	4	16	M3
A 6T10M122504	25.4	4	16	M3
A 6T10M123804	38.1	4	19	M3
A 6T10M125104	50.8	4	25	M3
A 6T10M121306	12.7	6	16	M3
A 6T10M121906	19.1	6	16	M3
A 6T10M122506	25.4	6	16	M3
A 6T10M123806	38.1	6	19	M3
A 6T10M125106	50.8	6	25	M3
A 6T10M121308	12.7	8	16	M4
A 6T10M121908	19.1	8	16	M4
A 6T10M122508	25.4	8	16	M4
A 6T10M125108	50.8	8	25	M4