

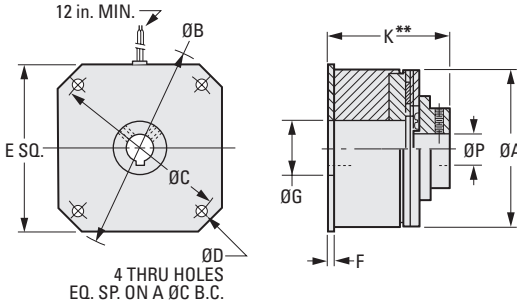
ZERO DRAG WHEN DE-ENERGIZED  
ANTI-BACKLASH WHEN ENERGIZED

PHONE: 516.328.3300 • FAX: 516.326.8827 • WWW.SDP-SI.COM

**> COIL DATA:**

Voltage: 24V DC

Other voltages available on special order.



Keyway Dimensions			
Bore	.250	.375	.500
Width	.062	.094	.125
Height	.286	.425	.564

**INCH COMPONENT**

Catalog Number	Static Torque lbf in.	Nom. Resist. ohms	Max. wattage	Armature Inertia lbf in. sec <sup>2</sup>	Energy Dissipation lbf ft./min.	Armature		P Bore
						Engagement msec	Disengagement msec	
S90BF9-11A04	5	128	5	3.4 x 10 <sup>-5</sup>	175	5	18	.250
S90BF9-17A04	15	108	6	8.1 x 10 <sup>-5</sup>	420	10	27	.250
S90BF9-22A06	40	75	8.5	33.1 x 10 <sup>-5</sup>	1400	12	32	.375
S90BF9-26A06	80	66	9.5	81.0 x 10 <sup>-5</sup>	2600	15	35	.375
S90BF9-26A08								.500

Catalog Number (Ref.)	A Dia. Max.	B Dia.	C Dia.	D Dia.	E Max.	F	G Dia.	K** Max.	Weight lb.
S90BF9-11A04	1.25	1.498	1.31	.125	1.17	.05	.53	1.14	.2
S90BF9-17A04	1.78	2.436	2.13	.187	1.82	.06	.75	1.27	.5
S90BF9-22A06	2.26	2.873	2.50	.166	2.33	.06	.88	1.74	.9
S90BF9-26A06	2.63	3.499	3.13	.187	2.63	.06	1.06	1.84	1.2
S90BF9-26A08									

\* Typical torque after burnishing; units shipped burnished.  
 \*\* For Catalog Number:  
 -11A04, initial working air gap at installation shall be .004/.009.  
 -17A04, -22A06, -26A06, -26A08 initial working air gap at installation shall be .006/.013.

- I
- R
- T
- 1
- 2
- 3
- 4
- 5
- 6
- 7
- 8
- 9
- 10
- 11
- 12
- 13
- 14
- 15
- 16