

E-RINGS

SDPSI

DIN 6799
EXTERNAL

PHONE: 516.328.3300 • FAX: 516.326.8827 • WWW.SDP-SI.COM

> MATERIAL / FINISH:

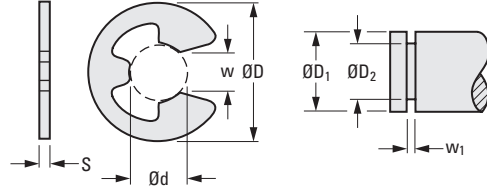
Carbon Spring Steel, Oil-Dipped

> SPECIFICATIONS:

D₂ Tolerance:
0.8 to 2.3 mm 0/-0.06
3.2 to 6 mm 0/-0.07
7 to 10 mm 0/-0.09
12 mm 0/-0.11

w₁ Tolerance:
0.24 to 0.44 mm +0.02/0
0.54 to 0.94 mm +0.03/0
1.05 to 1.35 mm +0.06/0

S Tolerance:
0.2 to 0.9 mm ±0.02
1 to 1.3 mm ±0.03



Priced Per 100 Pieces

The projections shown are per ISO convention.

METRIC COMPONENT

Catalog Number	Free Ring			D ₁ Shaft Dia.	D ₂ Groove Dia.	w ₁ Groove Width	S Ring Thickness	Ring Thrust Strength-kg Safety Factor = 4
	w Gap	d Dia.	D Dia.					
MD6799MQB008	0.58	0.8	2	1	0.8	0.24	0.2	2
MD6799MQB012	1.01	1.2	3	1.4	1.2	0.34	0.3	4
MD6799MQB015	1.28	1.5	4	2	1.5	0.44	0.4	7
MD6799MQB019	1.61	1.9	4.5	2.5	1.9	0.54	0.5	10
MD6799MQB023	1.94	2.3	6	3	2.3	0.64	0.6	14
MD6799MQB032	2.7	3.2	7	4	3.2			20
MD6799MQB040	3.34	4	9	5	4	0.74		0.7
MD6799MQB050	4.11	5	11	6	5		40	
MD6799MQB060	5.26	6	12	7	6	0.94	0.9	
MD6799MQB070	5.84	7	14	8	7			60
MD6799MQB080	6.52	8	16	9	8	1.05	1	70
MD6799MQB090	7.63	9	18.5	10	9	1.15	1.1	80
MD6799MQB100	8.32	10	20	11	10	1.25	1.2	90
MD6799MQB120	10.45	12	23	13	12	1.35	1.3	100

- I
- R
- T
- 1
- 2
- 3
- 4
- 5
- 6
- 7
- 8
- 9
- 10
- 11
- 12
- 13
- 14
- 15
- A

DIN 472
INTERNAL

PHONE: 516.328.3300 • FAX: 516.326.8827 • WWW.SDP-SI.COM

> MATERIAL / FINISH:

Carbon Spring Steel, Oil-Dipped

> SPECIFICATIONS:

D Tolerance:

- 8.7 to 17.3 mm +0.36/-0.10
- 18.3 to 23.5 mm +0.42/-0.13
- 25.9 & 26.9 mm +0.42/-0.21

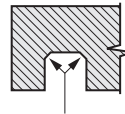
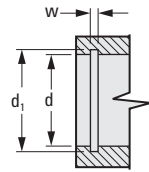
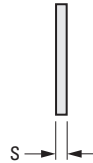
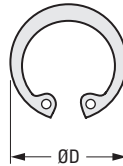
d₁ Tolerance:

- 8.4 & 9.4 mm +0.09/0
- 10.4 to 17.8 mm +0.11/0
- 19 to 23 mm +0.13/0
- 25.2 & 26.2 mm +0.21/0

S Tolerance:

- 0.8 mm 0/-0.05
- 1 & 1.2 mm 0/-0.06

Priced Per 100 Pieces



RADII 0.127 MAX.

METRIC COMPONENT

Catalog Number	D Free Dia.	d Housing Dia.	d ₁ Groove Dia.	w Groove Width +0.14 0	S Ring Thickness	Ring Thrust Strength kg
MD0472MQB008	8.7	8	8.4	0.9	0.8	204
MD0472MQB009	9.8	9	9.4			408
MD0472MQB010	10.8	10	10.4			408
MD0472MQB011	11.8	11	11.4			408
MD0472MQB012	13	12	12.5			428
MD0472MQB013	14.1	13	13.6			459
MD0472MQB014	15.1	14	14.6			510
MD0472MQB015	16.2	15	15.7			561
MD0472MQB016	17.3	16	16.8			612
MD0472MQB017	18.3	17	17.8			663
MD0472MQB018	19.5	18	19			693
MD0472MQB019	20.5	19	20			734
MD0472MQB020	21.5	20	21			775
MD0472MQB021	22.5	21	22			816
MD0472MQB022	23.5	22	23			1417
MD0472MQB024	25.9	24	25.2			1.3
MD0472MQB025	26.9	25	26.2	1489		

DIN 471
EXTERNAL

PHONE: 516.328.3300 • FAX: 516.326.8827 • WWW.SDP-SI.COM



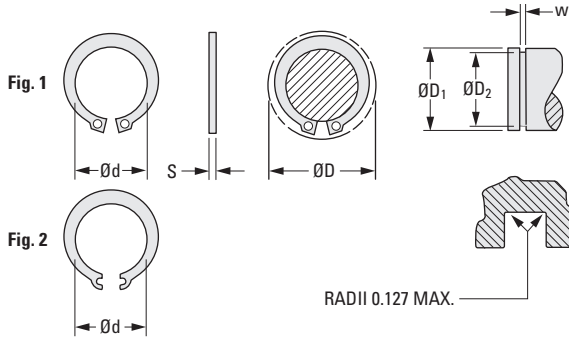
> MATERIAL / FINISH:
Carbon Spring Steel, Oil-Dipped

> SPECIFICATIONS:
d Tolerance:
2.7 mm +0.06/-0.12
3.7 to 5.6 mm +0.08/-0.15
6.5 to 8.4 mm +0.09/-0.18
9.3 mm +0.15/-0.30
10.2 to 14.7 mm +0.18/-0.36

D₂ Tolerance:
2.8 to 5.7 mm 0/-0.04
6.7 to 8.6 mm 0/-0.06
9.6 to 15.2 mm 0/-0.11

Priced Per 100 Pieces

SDPSI • SDPSI • SDPSI



METRIC COMPONENT

Catalog Number	d Free Dia.	D Dia. Ring Clear.	D ₁ Shaft Dia.	D ₂ Groove Dia.	w Groove Width +0.14 0	S Ring Thickness 0 -0.06	Ring Thrust Strength-kg Safety Factor = 4
*MD0471MQB003	2.7	7.4	3	2.8	0.5	0.4	68
*MD0471MQB004	3.7	8.8	4	3.8			90
*MD0471MQB005	4.7	10.7	5	4.8	0.7	0.6	176
*MD0471MQB006	5.6	12.2	6	5.7	0.8	0.7	252
*MD0471MQB007	6.5	13.8	7	6.7	0.9	0.8	341
*MD0471MQB008	7.4	15.2	8	7.6			390
*MD0471MQB009	8.4	16.4	9	8.6	1.1	1	560
MD0471MQB010	9.3	17.6	10	9.6			622
MD0471MQB011	10.2	18.6	11	10.5			685
MD0471MQB012	11	19.6	12	11.5			747
MD0471MQB013	11.9	20.8	13	12.4			809
MD0471MQB014	12.9	22	14	13.4			872
MD0471MQB015	13.8	23.3	15	14.3			935
MD0471MQB016	14.7	24.4	16	15.2			996

* Supplied with slots or holes.

See next page for larger sizes.

- I
- R
- T
- 1
- 2
- 3
- 4
- 5
- 6
- 7
- 8
- 9
- 10
- 11
- 12
- 13
- 14
- 15
- A

DIN 471
EXTERNAL

PHONE: 516.328.3300 • FAX: 516.326.8827 • WWW.SDP-SI.COM



➤ **MATERIAL / FINISH:**
Carbon Spring Steel, Oil-Dipped

➤ **SPECIFICATIONS:**

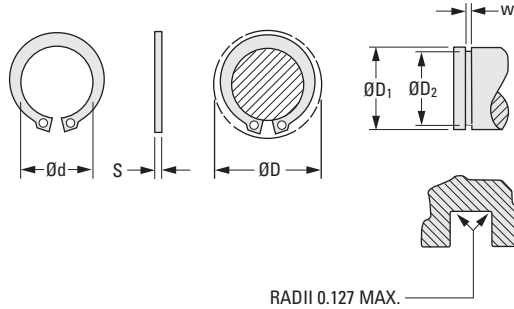
d Tolerance:
17.5 mm +0.10/-0.36
19.5 & 20.5 mm +0.13/-0.42
24.2 & 29.6 mm +0.21/-0.42
36.5 & 43.5 mm +0.39/-0.90
57.8 & 70.5 mm +0.46/-1.10
84.5 & 113 mm +0.54/-1.30

D₂ Tolerance:
18 mm 0/-0.11
20 to 24.9 mm 0/-0.21
30.3 to 44.5 mm 0/-0.25
59 & 72 mm 0/-0.3
86.5 mm 0/-0.35
116 mm 0/-0.54

w Tolerance:
1.3 to 2.65 mm +0.14/0
3.15 to 4.15 mm +0.18/0

Priced Per Each

SDPSI • SDPSI • SDPSI



- I
- R
- T
- 1
- 2
- 3
- 4
- 5
- 6
- 7
- 8
- 9
- 10
- 11
- 12
- 13
- 14
- 15
- A

METRIC COMPONENT

Catalog Number	d Free Dia.	D Dia. Ring Clear.	D ₁ Shaft Dia.	D ₂ Groove Dia.	w Groove Width	S Ring Thickness 0 -0.06	Ring Thrust Strength-kg Safety Factor = 4
MD0471MQB019	17.5	27.2	19	18	1.3	1.2	1631
MD0471MQB021	19.5	29.6	21	20			1811
MD0471MQB022	20.5	30.8	22	21			1901
MD0471MQB026	24.2	35.5	26	24.9			2475
MD0471MQB032	29.6	43	32	30.3	1.6	1.5	4725
MD0471MQB040	36.5	52.6	40	37.5	1.85	1.75	8572
MD0471MQB047	43.5	61.6	47	44.5			10125
MD0471MQB062	57.8	77.8	62	59			2.15
MD0471MQB075	70.5	92.8	75	72	2.65	2.5	19350
MD0471MQB090	84.5	108.5	90	86.5	3.15	3*	27225
MD0471MQB120	113	143.1	120	116	4.15	4*	41625

* Tolerance: 0/-0.075

See previous page for smaller sizes.

GROOVELESS RETAINING RINGS

SDP/SI

EXTERNAL
FOR AXIAL ASSEMBLY
NO GROOVE REQUIRED

PHONE: 516.328.3300 • FAX: 516.326.8827 • WWW.SDP-SI.COM

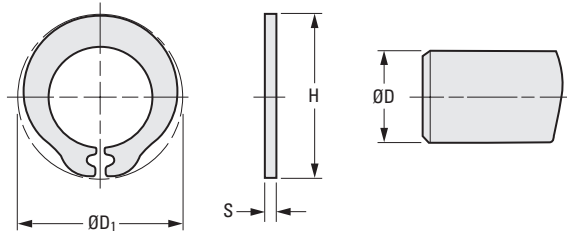


› **MATERIAL / FINISH:**
Spring Steel HRC 46...52, Black Oxide Finish



› **SPECIFICATION:**
Shaft Tolerance (h9): 2 to 3 mm 0/-0.025
(h11): 4 to 6 mm 0/-0.075
(h11): 7 to 10 mm 0/-0.090
(h11): 12 & 16 mm 0/-0.110
(h11): 20 mm 0/-0.130

Priced Per Each



METRIC COMPONENT

Catalog Number	D Shaft Dia.	D ₁ Ring Clearance	H Ring Height	Thickness		Allowable Axial Load N
				S	Tol.	
S73NW2MGR555-020	2	5.8	5.2	0.5	± 0.03	50
S73NW2MGR555-025	2.5	6.5	5.9	0.6		60
S73NW2MGR555-030	3	7.4	6.8	0.7		75
S73NW2MGR555-040	4	9	8.3	0.8		100
S73NW2MGR555-050	5	10.2	9.75			130
S73NW2MGR555-060	6	11.4	11.1	1	± 0.04	170
S73NW2MGR555-070	7	12.8	12.5			180
S73NW2MGR555-080	8	14.8	14.3			200
S73NW2MGR555-100	10	17.5	16.9	1.2	± 0.05	250
S73NW2MGR555-120	12	21	20.6			300
S73NW2MGR555-160	16	28.5	26.5	1.5	± 0.05	500
S73NW2MGR555-200	20	35	33.25			750