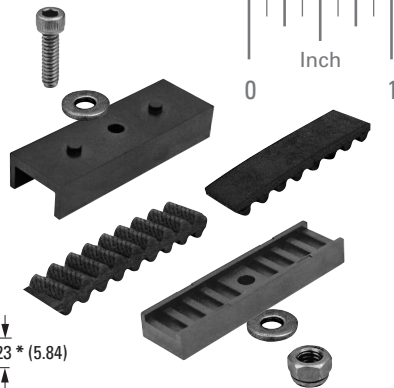


TIMING BELT CLAMPS



FOR RECIPROCATING DRIVES
 PATENT NO: US 7,810,219 B2
 COMPACT
 LOW INERTIA
 FOR SINGLE- AND DOUBLE-SIDED BELTS

PHONE: 516.328.3300 • FAX: 516.326.8827 • WWW.SDP-SI.COM

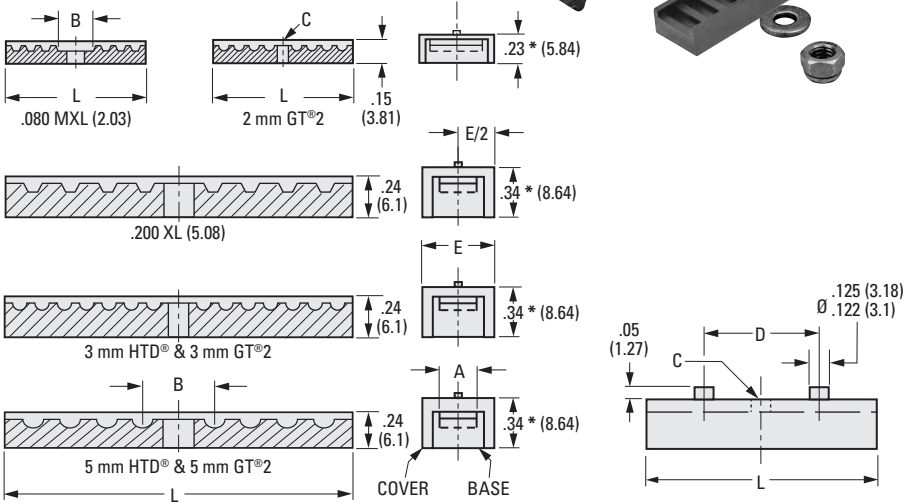


> MATERIAL:

Base & Cover - Black Polycarbonate
Hardware - 303 Stainless Steel

> SPECIFICATION:

Supplied with Hex Socket Cap Screw,
 Flat Washers & Elastic Stop Nut.



INCH COMPONENT

NOTE: Dimensions in () are mm.

Catalog Number	Belt Width		A	B	C	D	E Cover Width	L Length
	Inch	mm						
MXL .080" Pitch								
A 6M16M030	1/8	3	.135 (3.43)	.160 (4.06)	.093 (2.36)	.500 (12.7)	.32 (8.13)	.750 (19.05)
A 6M16M045	3/16	4.5	.197 (5)	.160 (4.06)	.093 (2.36)	.500 (12.7)	.39 (9.91)	.750 (19.05)
A 6M16M060	1/4	6	.260 (6.6)	.160 (4.06)	.125 (3.18)	.500 (12.7)	.45 (11.43)	.750 (19.05)
A 6M16M080	5/16	8	.322 (8.18)	.160 (4.06)	.145 (3.68)	.500 (12.7)	.50 (12.7)	.750 (19.05)
A 6M16M095	3/8	9.5	.385 (9.78)	.160 (4.06)	.145 (3.68)	.500 (12.7)	.57 (14.48)	.750 (19.05)
XL 200" Pitch								
A 6M 3M060	1/4	6	.265 (6.73)	.380 (9.65)	.125 (3.18)	1.000 (25.4)	.50 (12.7)	1.880 (47.75)
A 6M 3M080	5/16	8	.327 (8.31)	.380 (9.65)	.145 (3.68)	1.000 (25.4)	.63 (16)	1.880 (47.75)
A 6M 3M095	3/8	9.5	.390 (9.91)	.380 (9.65)	.145 (3.68)	1.000 (25.4)	.63 (16)	1.880 (47.75)
GT² 2 mm Pitch								
A 6M51M030	—	3	.130 (3.3)	.168 (4.27)	.093 (2.36)	.500 (12.7)	.32 (8.13)	.750 (19.05)
A 6M51M060	—	6	.250 (6.35)	.168 (4.27)	.125 (3.18)	.500 (12.7)	.45 (11.43)	.750 (19.05)
A 6M51M090	—	9	.370 (9.4)	.168 (4.27)	.145 (3.68)	.500 (12.7)	.57 (14.48)	.750 (19.05)
HTD® & GT² 3 mm Pitch								
A 6M53M060	—	6	.250 (6.35)	.298 (7.57)	.125 (3.18)	1.000 (25.4)	.50 (12.7)	1.880 (47.75)
A 6M53M090	—	9	.370 (9.4)	.298 (7.57)	.145 (3.68)	1.000 (25.4)	.63 (16)	1.880 (47.75)
HTD® & GT² 5 mm Pitch								
A 6M55M060	—	6	.250 (6.35)	.430 (10.92)	.125 (3.18)	1.000 (25.4)	.50 (12.7)	1.880 (47.75)
A 6M55M090	—	9	.370 (9.4)	.430 (10.92)	.145 (3.68)	1.000 (25.4)	.63 (16)	1.880 (47.75)
A 6M55M150	—	15	.605 (15.37)	.430 (10.92)	.145 (3.68)	1.000 (25.4)	.87 (22.1)	1.880 (47.75)

* Dimensions when used with single sided belts.

I

R

T

1

2

3

4

5

6

7

8

9

10

11

12

13

14

15

16

USED IN LINEAR DRIVES

PHONE: 516.328.3300 • FAX: 516.326.8827 • WWW.SDP-SI.COM

> MATERIAL:

Aluminum

> SPECIFICATIONS:

Timing Belt Clamp Kit includes:

Top and Bottom Plate and Hardware for Assembly

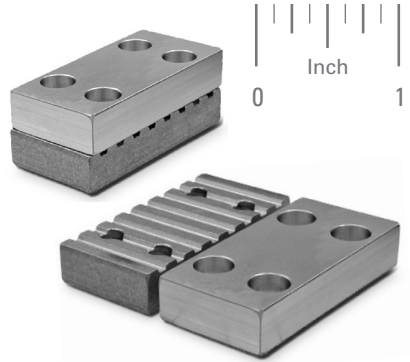
Hardware for kit includes:

Screws, Washers and Hex Nuts for Assembly

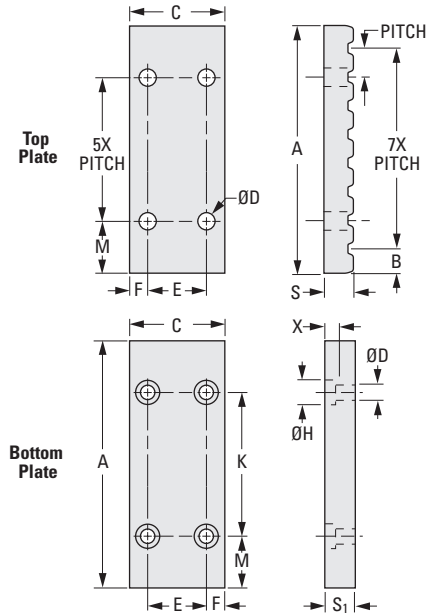
For Replacement hardware kit, order:

A16A 3-BOLTKIT XL 1/5 inch pitch

A16A 4-BOLTKIT L 3/8 inch pitch



XL • 1/5 Inch Pitch						
F in. (mm)	M in. (mm)	S in. (mm)	H Dia. in. (mm)	K in. (mm)	X in. (mm)	S ₁ in. (mm)
.290 (7.4)	.370 (9.4)	.320 (8.1)	.375 (9.5)	1.000 (25.4)	.190 (4.8)	.380 (9.65)
L • 3/8 Inch Pitch						
.370 (9.4)	.685 (17.4)	.590 (15)	.531 (13.5)	1.875 (47.6)	.320 (0.81)	.630 (16)



INCH COMPONENT

Catalog Number	Belt Width in. (mm)	A in. (mm)	B in. (mm)	C in. (mm)	D Dia. in. (mm)	E in. (mm)	Toothed + Flat Plate Total Weight (with hardware) lb. (kg)
XL • 1/5" Pitch - Sold as Kit							
A16A 3-025	.25 (6.35)	1.740 (44.2)	.170 (4.3)	1.09 (27.7)	.221 (5.6)	.51 (13)	.12 (0.054)
A16A 3-031	.3125 (7.94)	1.740 (44.2)	.170 (4.3)	1.15 (29.2)	.221 (5.6)	.57 (14.5)	.13 (0.060)
A16A 3-037	.375 (9.53)	1.740 (44.2)	.170 (4.3)	1.22 (31)	.221 (5.6)	.64 (16.3)	.14 (0.064)
L • 3/8" Pitch - Sold as Kit							
A16A 4-050	.500 (12.7)	3.245 (82.4)	.310 (7.9)	1.62 (41.1)	.344 (8.7)	.88 (22.4)	.58 (0.263)
A16A 4-075	.750 (19.1)	3.245 (82.4)	.310 (7.9)	1.87 (47.5)	.344 (8.7)	1.13 (28.7)	.67 (0.304)

USED IN LINEAR DRIVES

PHONE: 516.328.3300 • FAX: 516.326.8827 • WWW.SDP-SI.COM

> MATERIAL:

Aluminum

> SPECIFICATIONS:

Timing Belt Clamp Kit includes:

Top and Bottom Plate and Hardware for Assembly

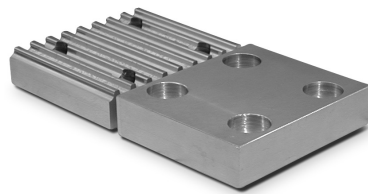
Hardware for kit includes:

Screws, Washers and Hex Nuts for Assembly

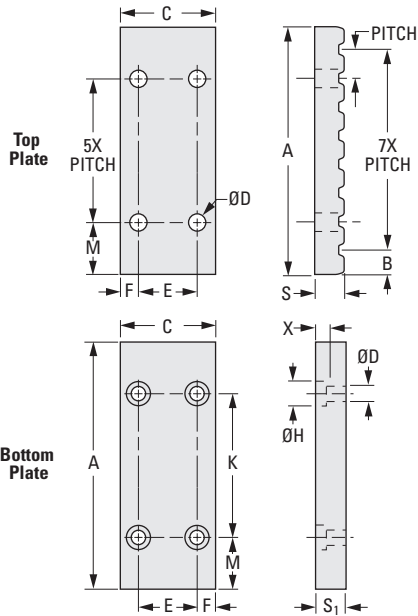
For Replacement hardware kit, order:

A16A25MBOLTKIT HTD®5 mm pitch

A16A28MBOLTKIT HTD®8 mm pitch



5 mm Pitch						
F mm (in.)	M mm (in.)	S mm (in.)	H Dia. mm (in.)	K mm (in.)	X mm (in.)	S ₁ mm (in.)
7.5 (.295)	10 (.394)	8 (.315)	10 (.394)	25 (.984)	5 (.197)	10 (.394)
8 mm Pitch						
10 (.394)	16 (.630)	15 (.591)	15 (.591)	40 (1.574)	8 (.315)	16 (.630)



METRIC COMPONENT

Catalog Number	Belt Width mm (in.)	A mm (in.)	B mm (in.)	C mm (in.)	D Dia. mm (in.)	E mm (in.)	Toothed + Flat Plate Total Weight (with hardware) kg (lb.)
HTD® • 5 mm Pitch - Sold as Kit							
A16A25M09	6 (.236) & 9 (.354)	45 (1.772)	5 (.197)	31.5 (1.24)	5.5 (.217)	16.5 (.650)	0.068 (.15)
A16A25M15	15 (.591)	45 (1.772)	5 (.197)	36.5 (1.44)	5.5 (.217)	21.5 (.846)	0.068 (.15)
A16A25M25	25 (.984)	45 (1.772)	5 (.197)	46.5 (1.83)	5.5 (.217)	31.5 (1.24)	0.100 (.22)
HTD® • 8 mm Pitch - Sold as Kit							
A16A28M20	20 (.787)	72 (2.835)	8 (.315)	50.5 (1.988)	9 (.354)	30.5 (1.201)	0.272 (.60)
A16A28M30	30 (1.181)	72 (2.835)	8 (.315)	60.5 (2.382)	9 (.354)	40.5 (1.594)	0.331 (.73)
A16A28M50	50 (1.969)	72 (2.835)	8 (.315)	80.5 (3.169)	9 (.354)	60.5 (2.382)	0.449 (.99)

USED IN LINEAR DRIVES

PHONE: 516.328.3300 • FAX: 516.326.8827 • WWW.SDP-SI.COM

► **MATERIAL:**

Aluminum

► **SPECIFICATIONS:**

Timing Belt Clamp Kit includes:

Top and Bottom Plate and Hardware for Assembly

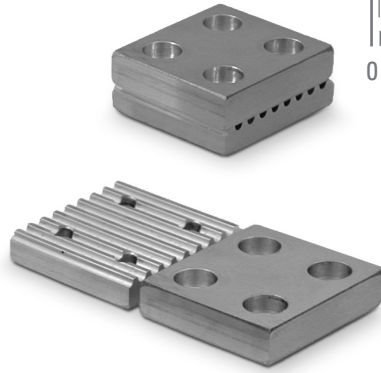
Hardware for kit includes:

Screws, Washers and Hex Nuts for Assembly

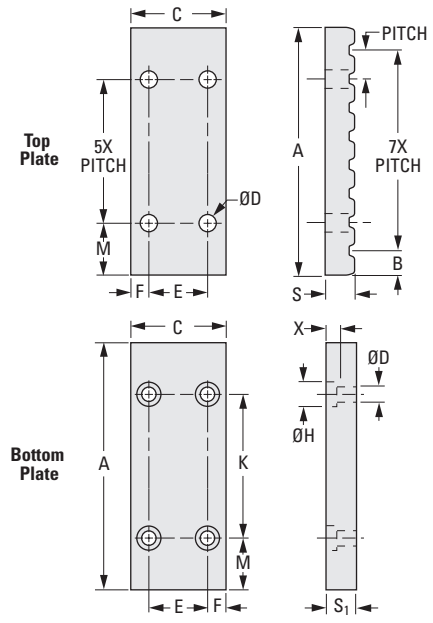
For Replacement hardware kit, order:

A16A51MBOLTKIT GT[®]2 2 mm pitch

A16A53MBOLTKIT GT[®]2 3 mm pitch



2 mm Pitch						
F mm (in.)	M mm (in.)	S mm (in.)	H Dia. mm (in.)	K mm (in.)	X mm (in.)	S ₁ mm (in.)
4.7 (.185)	4 (.157)	4 (.157)	4.4 (.173)	10 (.394)	2 (.079)	4 (.157)
3 mm Pitch						
5.8 (.228)	6 (.236)	5 (.197)	6.5 (.256)	15 (.591)	3 (.118)	6 (.236)



METRIC COMPONENT

Catalog Number	Belt Width mm (in.)	A mm (in.)	B mm (in.)	C mm (in.)	D Dia. mm (in.)	E mm (in.)	Toothed + Flat Plate Total Weight (with hardware) kg (lb.)
GT[®]2 • 2 mm Pitch - Sold as Kit							
A16A51M04	4 (.157)	18 (.709)	2 (.079)	16.8 (.661)	2.4 (.094)	7.4 (.291)	0.006 (.01)
A16A51M06	6 (.236)	18 (.709)	2 (.079)	18.8 (.740)	2.4 (.094)	9.4 (.370)	0.015 (.03)
A16A51M09	9 (.354)	18 (.709)	2 (.079)	21.8 (.858)	2.4 (.094)	12.4 (.488)	0.017 (.04)
GT[®]2 • 3 mm Pitch - Sold as Kit							
A16A53M06	6 (.236)	27 (1.063)	3 (.118)	22 (.866)	3.4 (.134)	10.4 (.409)	0.016 (.04)
A16A53M09	9 (.354)	27 (1.063)	3 (.118)	25 (.984)	3.4 (.134)	13.4 (.528)	0.019 (.04)

USED IN LINEAR DRIVES

PHONE: 516.328.3300 • FAX: 516.326.8827 • WWW.SDP-SI.COM

➤ **MATERIAL:**

Aluminum

➤ **SPECIFICATIONS:**

Timing Belt Clamp Kit includes:

Top and Bottom Plate and Hardware for Assembly

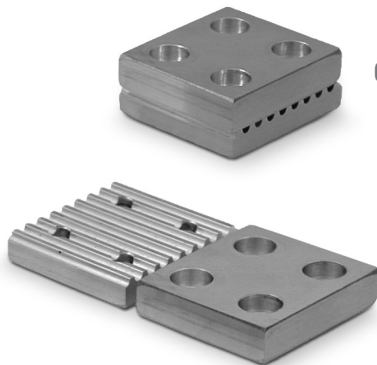
Hardware for kit includes:

Screws, Washers and Hex Nuts for Assembly

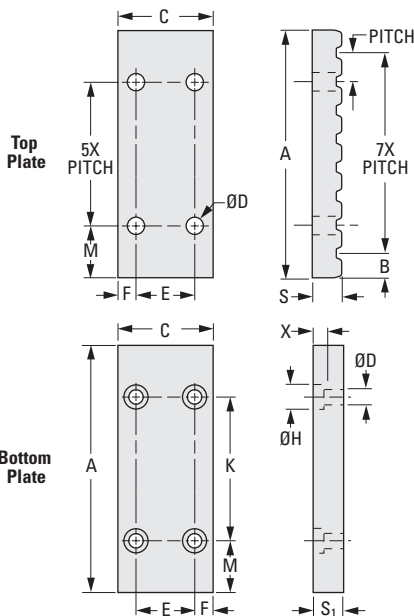
For Replacement hardware kit, order:

A16A55MBOLTKIT GT[®]2 5 mm pitch

A16A58MBOLTKIT GT[®]2 8 mm pitch



5 mm Pitch						
F mm (in.)	M mm (in.)	S mm (in.)	H Dia. mm (in.)	K mm (in.)	X mm (in.)	S ₁ mm (in.)
7.5 (.295)	10 (.394)	8 (.315)	10 (.394)	25 (.984)	5 (.197)	10 (.394)
8 mm Pitch						
10 (.394)	16 (.630)	15 (.591)	15 (.591)	40 (1.575)	8 (.315)	16 (.630)



METRIC COMPONENT

Catalog Number	Belt Width mm (in.)	A mm (in.)	B mm (in.)	C mm (in.)	D Dia. mm (in.)	E mm (in.)	Toothed + Flat Plate Total Weight (with hardware) kg (lb.)
GT[®]2 • 5 mm Pitch - Sold as Kit							
A16A55M09	9 (.354)	45 (1.772)	5 (.197)	30.5 (1.201)	5.5 (.217)	15.5 (.610)	0.056 (.12)
A16A55M15	15 (.591)	45 (1.772)	5 (.197)	37 (1.457)	5.5 (.217)	22 (.866)	0.074 (.16)
A16A55M25	25 (.984)	45 (1.772)	5 (.197)	47 (1.850)	5.5 (.217)	32 (1.260)	0.096 (.21)
GT[®]2 • 8 mm Pitch - Sold as Kit							
A16A58M20	20 (.787)	72 (2.835)	8 (.315)	50.5 (1.988)	9 (.354)	30.5 (1.201)	0.272 (.60)
A16A58M30	30 (1.181)	72 (2.835)	8 (.315)	60.5 (2.382)	9 (.354)	40.5 (1.594)	0.334 (.73)
A16A58M50	50 (1.968)	72 (2.835)	8 (.315)	81 (3.189)	9 (.354)	61 (2.401)	0.448 (.99)