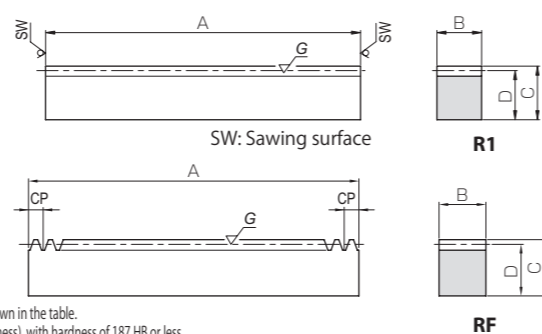


Specifications	
Precision grade	KHK R 001 Grade 3 *
Gear teeth	Standard full depth
Pressure angle	20°
Material	S45C
Heat Treatment	Gear teeth induction hardened
Tooth hardness	50 ~ 60HRC**
Surface treatment	Black oxide coated except for teeth

* The precision grade of J Series products is equivalent to the value shown in the table.
 ** The block surface has a decarburization layer (approx. 0.5 mm thickness), with hardness of 187 HB or less.



Catalog Number	Pitch mm (Module)	Effective number of teeth	Shape	Total Length				Allowable force (N)		Allowable force (kgf)		Weight (kg)
				A	B	C	D	Bending strength	Surface durability	Bending strength	Surface durability	
KSRGCP5-100	CP5 (1.5915)	18	R1	98	15	20	18.41	2290	1460	233	149	0.21
KSRGCP10-100	CP10 (3.1831)	8		98	30	35	31.82	9150	5860	933	597	0.73
KSRGCP15-100	CP15 (4.7746)	5		103	50	50	45.23	22900	14200	2330	1450	1.83
KSRGCP20-100	CP20 (6.3662)	3		98	60	60	53.63	36600	23400	3730	2390	2.48

Catalog Number	Pitch mm (Module)	No. of teeth	Shape	Total Length				Allowable force (N)		Allowable force (kgf)		Weight (kg)
				A	B	C	D	Bending strength	Surface durability	Bending strength	Surface durability	
KSRGCPF5-500	CP5 (1.5915)	100	RF	500	15	20	18.41	2290	1460	233	149	1.08
KSRGCPF5-1000		200		1000	30	35	31.82	9150	5860	933	597	2.17
KSRGCPF10-500	CP10 (3.1831)	50		500	30	35	31.82	9150	5860	933	597	3.75
KSRGCPF10-1000		100		1000	50	50	45.23	22900	14200	2330	1450	7.49
KSRGCPF15-500	CP15 (4.7746)	33	495	50	50	45.23	22900	14200	2330	1450	8.79	
KSRGCPF15-1000		67	1005	50	50	45.23	22900	14200	2330	1450	17.8	
KSRGCPF20-500	CP20 (6.3662)	25	500	60	60	53.63	36600	23400	3730	2390	12.6	
KSRGCPF20-1000		50	1000	60	60	53.63	36600	23400	3730	2390	25.3	

Catalog Number	Pitch mm (Module)	No. of teeth	Shape	Total Length				Mounting hole dimensions				
				A	B	C	D	E	F	G	No. of holes	Screw size
● KSRGCPFD5-500J ● KSRGCPFD5-1000J	CP5 (1.5915)	100	RD	500	15	20	18.41	8	25	150	4	M5
		200		1000	30	35	31.82	14	25	150	6	M5
● KSRGCPFD10-500J ● KSRGCPFD10-1000J	CP10 (3.1831)	50		500	30	35	31.82	14	25	150	4	M10
		100		1000	50	50	45.23	20	27.5	220	6	M10
● KSRGCPFD15-500J ● KSRGCPFD15-1000J	CP15 (4.7746)	33	495	50	50	45.23	20	27.5	220	3	M14	
		67	1005	50	50	45.23	20	62.5	220	5	M14	
● KSRGCPFD20-500J ● KSRGCPFD20-1000J	CP20 (6.3662)	25	500	60	60	53.63	23	30	220	3	M16	
		50	1000	60	60	53.63	23	60	220	5	M16	

[Caution on Product Characteristics] ① The allowable forces shown in the table are calculated values according to the assumed usage conditions. Please see Page 241 for more details.

② The backlash of racks differs depending on the size of the mating pinion. Calculate the backlash from the backlash value of the mating pinion. Also, please refer to the data in the section called 'Backlash of Rack Teeth (Amount of Tooth Thinning)' on Page 193.

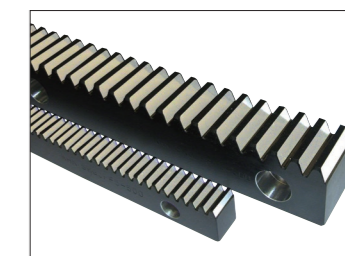
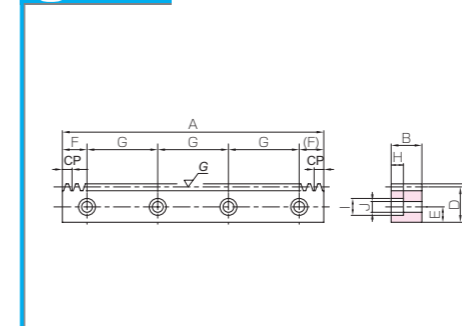
[Caution on Secondary Operations] ① Please read "Cautions on Performing Secondary Operations" (Page 242) when performing modifications and/or secondary operations for safety concerns.

② Due to the gear teeth being induction hardened, no secondary operations can be performed on tooth areas including the bottom land (approx. 2 to 3 mm). Please use wire EDM or other carbide tools to modify the length.

[Caution on J series] ① As available-on-request products, these require a lead-time for shipping within 2 working days (excludes the day ordered), after placing an order.

② Number of products we can process for one order is 1 to 20 units. For quantities of 21 or more pieces, we need to quote price and lead time.

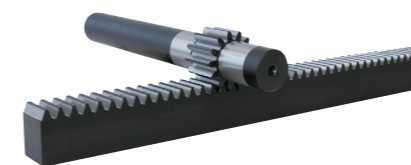
③ Black oxide is NOT re-applied after the secondary operation of adding mounting holes.



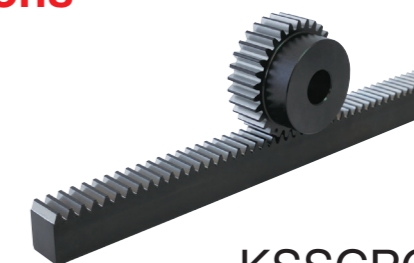
* CP30 and ground racks with total length up to (A) 1500mm and heights up to (C) 120mm are also available by request as custom-made products.

Counterbore dimensions			Allowable force (N)		Allowable force (kgf)		Weight (kg)	Catalog Number
H	I	J	Bending strength	Surface durability	Bending strength	Surface durability		
6	10	6	2290	1460	233	149	1.06 2.13	● KSRGCPFD5-500J ● KSRGCPFD5-1000J
10.8	17.5	11	9150	5860	933	597	3.61 7.29	● KSRGCPFD10-500J ● KSRGCPFD10-1000J
15.2	23	16	22900	14200	2330	1450	8.47 17.3	● KSRGCPFD15-500J ● KSRGCPFD15-1000J
17.5	26	18	36600	23400	3730	2390	12.2 24.5	● KSRGCPFD20-500J ● KSRGCPFD20-1000J

Recommended Mating Pinions



KSSCPGS



KSSCPG