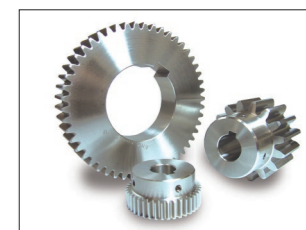
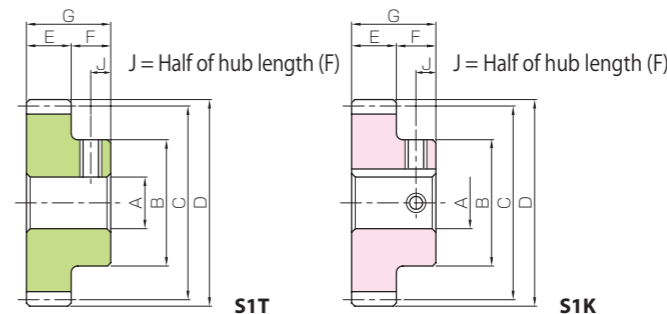
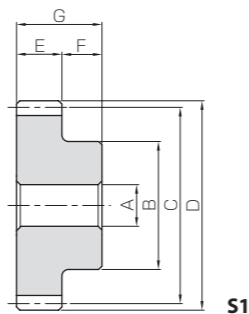


| Specifications | |
|-----------------|-----------------------------------|
| Precision grade | JIS grade N8 (JIS B1702-1: 1998)* |
| Gear teeth | Standard full depth |
| Pressure angle | 20° |
| Material | SUS303 |
| Heat Treatment | — |
| Tooth hardness | (less than 187HB) |

*The precision grade of J Series products is equivalent to the value shown in the table.



To order J Series products, please specify: Catalog No. + J + BORE.

| Catalog Number | Pitch mm (Module) | No. of teeth | Shape | Bore AH7 | Hub dia. B | Pitch dia. C | Outside dia. D | Face width E | Hub width F | Total Length G | Distance traveled in one turn (mm) | Allowable torque (N·m) | | Allowable torque (kgf·m) | | Backlash (mm) | Weight (kg) |
|----------------|-------------------|--------------|-------|----------|------------|--------------|----------------|--------------|-------------|----------------|------------------------------------|------------------------|--------------------|--------------------------|--------------------|---------------|-------------|
| | | | | | | | | | | | | Bending strength | Surface durability | Bending strength | Surface durability | | |
| KSUSCP5-20 | CP5 (1.5915) | 20 | S1 | 8 | 25 | 31.83 | 35.01 | 15 | 15 | 30 | 125 | 13.7 | 2.50 | 1.40 | 0.25 | 0.09 ~ 0.26 | 0.14 |
| KSUSCP5-25 | | 25 | | 10 | 32 | 39.78 | 42.97 | | | | | 18.5 | 4.31 | 1.89 | 0.44 | | |
| KSUSCP5-30 | | 30 | | 10 | 38 | 47.74 | 50.93 | | | | | 23.4 | 6.72 | 2.39 | 0.68 | | |
| KSUSCP10-20 | CP10 (3.1831) | 20 | S1 | 15 | 50 | 63.66 | 70.03 | 30 | 20 | 50 | 200 | 110 | 21.9 | 11.2 | 2.23 | 0.14 ~ 0.36 | 0.98 |
| KSUSCP10-25 | | 25 | | 20 | 60 | 79.57 | 85.94 | | | | | 148 | 37.4 | 15.1 | 3.82 | | |
| KSUSCP10-30 | | 30 | | 20 | 75 | 95.49 | 101.86 | | | | | 187 | 58.0 | 19.1 | 5.92 | | |

[Caution on Product Characteristics] ① The allowable torques shown in the table are calculated values according to the assumed usage conditions. Please see Page 241 for more details.

② The backlash values shown in the table are the theoretical values when these gears and KSURCPF Racks are in mesh.

[Caution on Secondary Operations] ① Please read "Cautions on Performing Secondary Operations" (Page 26) when performing modifications and/or secondary operations for safety concerns.

② Avoid performing secondary operations that narrow the tooth width, as it affects precision and strength.

| Bore H7 | * The product shapes of J Series items are identified by background color. | | | | | | | | | | | | | | | | | | | | | | | |
|--------------------|--|-----|-----|-------|-----|-----|-------|-----|-----|-------|-----|-----|-------|-----|-----|--------|-----|-----|--------|--|--|--------|--|--|
| | 8 | 10 | 12 | 14 | 15 | 16 | 17 | 18 | 19 | 20 | 22 | 25 | 28 | 30 | 32 | 35 | 40 | 45 | | | | | | |
| Keyway Js9 | — | | | 4x1.8 | | | 5x2.3 | | | 6x2.8 | | | 8x3.3 | | | 10x3.3 | | | 12x3.3 | | | 14x3.8 | | |
| Screw size | — | | | 4x1.8 | | | 5x2.3 | | | 6x2.8 | | | 8x3.3 | | | 10x3.3 | | | 12x3.3 | | | 14x3.8 | | |
| Catalog Number | M5 | | | M4 | | | M5 | | | M6 | | | M8 | | | M10 | | | | | | | | |
| KSUSCP5-20 J BORE | S1T | S1K | S1K | | | | | | | | | | | | | | | | | | | | | |
| KSUSCP5-25 J BORE | | S1K | S1K | S1K | S1K | S1K | S1K | | | | | | | | | | | | | | | | | |
| KSUSCP5-30 J BORE | | S1K | S1K | S1K | S1K | S1K | S1K | S1K | S1K | S1K | S1K | | | | | | | | | | | | | |
| KSUSCP10-20 J BORE | | | | S1K | S1K | S1K | S1K | S1K | S1K | S1K | S1K | S1K | S1K | S1K | | | | | | | | | | |
| KSUSCP10-25 J BORE | | | | | | | | | | | | S1K | S1K | S1K | S1K | S1K | S1K | S1K | | | | | | |
| KSUSCP10-30 J BORE | | | | | | | | | | | | S1K | S1K | S1K | S1K | S1K | S1K | S1K | | | | | | |

[Caution on J series] ① As available-on-request products, these require a lead-time for shipping within 2 working days (excludes the day ordered), after placing an order.

② Number of products we can process for one order is 1 to 20 units. For quantities of 21 or more pieces, we need to quote price and lead time.

③ Keyways are made according to JIS B1301 standards, Js9 tolerance.

④ Certain products which would otherwise have a very long tapped hole are counterbored to reduce the length of the tap. Please see the Web Catalog or Master Catalog for more details.

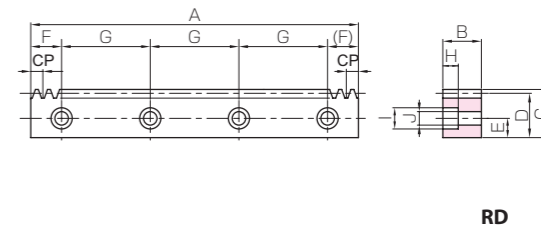
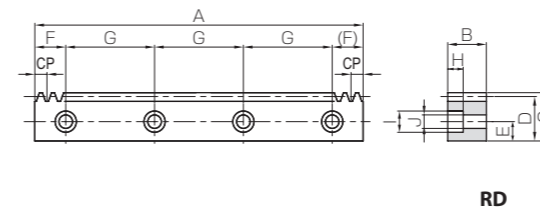
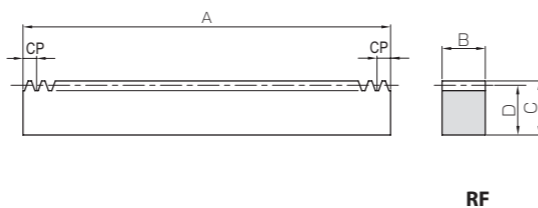
⑤ For products having a tapped hole, a set screw is included.

⑥ When using S1T set screws for fastening gears to a shaft, only use this method for applications with light load usage. For secure fastening, please use dowel pins in combination.



| Specifications | |
|-----------------|---------------------|
| Precision grade | KHK R 001 Grade 5 * |
| Gear teeth | Standard full depth |
| Pressure angle | 20° |
| Material | SUS304 |
| Heat Treatment | Solution treated |
| Tooth hardness | (less than 187HB) |

*The precision grade of J Series products is equivalent to the value shown in the table.



| Catalog Number | Pitch mm (Module) | No. of teeth | Shape | Total Length | | | | Allowable force (N) | | Allowable force (kgf) | | Weight (kg) |
|----------------|-------------------|--------------|-------|--------------|----|----|-------|---------------------|--------------------|-----------------------|--------------------|-------------|
| | | | | A | B | C | D | Bending strength | Surface durability | Bending strength | Surface durability | |
| KSURCPF5-500 | CP5 (1.5915) | 100 | RF | 500 | 15 | 20 | 18.41 | 1090 | 263 | 111 | 26.8 | 1.08 |
| KSURCPF5-1000 | | 200 | | 1000 | | | | | | | | |
| KSURCPF10-500 | CP10 (3.1831) | 50 | RF | 500 | 30 | 35 | 31.82 | 4370 | 1050 | 445 | 107 | 3.73 |
| KSURCPF10-1000 | | 100 | | 1000 | | | | | | | | |

| Catalog Number | Pitch mm (Module) | No. of teeth | Shape | Total Length | | | | Mounting hole dimensions | | | | |
|-----------------|-------------------|--------------|-------|--------------|----|----|-------|--------------------------|----|-----|--------------|------------|
| | | | | A | B | C | D | E | F | G | No. of holes | Screw size |
| KSURCPFD5-500J | CP5 (1.5915) | 100 | RD | 500 | 15 | 20 | 18.41 | 8 | 25 | 150 | 4 | M5 |
| KSURCPFD5-1000 | | 200 | | 1000 | | | | | | | | |
| KSURCPFD10-500J | CP10 (3.1831) | 50 | RD | 500 | 30 | 35 | 31.82 | 14 | 25 | 150 | 4 | M10 |
| KSURCPFD10-1000 | | 100 | | 1000 | | | | | | | | |

[Caution on Product Characteristics] ① The allowable forces shown in the table are calculated values according to the assumed usage conditions. Please see Page 241 for more details.

② The backlash of racks differs depending on the size of the mating pinion. Calculate the backlash from the backlash value of the mating pinion. Also, please refer to the data in the section called 'Backlash of Rack Teeth (Amount of Tooth Thinning)' on Page 193.

③ The stainless steel material is given *solution treatment and **passivation. Passivation improves the anti-rust performance, but it is not effective on the processed surface of the product. Note that this product is not completely rustproof.

*Solution treatment
Heat treatment for melting the carbide generated on the surface into the material when manufacturing the material

**Passivation
Pickled (nitric hydrofluoric acid) to make it more rust resistant

④ After attaching the racks to the base, please fasten with dowel pins. Clamping only with mounting screws could possibly cause the screws to be broken, due to a heavy load.

| Counterbore dimensions | | | Allowable force (N) | | Allowable force (kgf) | | Weight (kg) | Catalog Number |
|------------------------|------|----|---------------------|--------------------|-----------------------|--------------------|--------------|------------------------------------|
| H | I | J | Bending strength | Surface durability | Bending strength | Surface durability | | |
| 6 | 10 | 6 | 1090 | 263 | 111 | 26.8 | 1.06 2.12 | KSURCPFD5-500J KSURCPFD5-1000 |
| 10.8 | 17.5 | 11 | 4370 | 1050 | 445 | 107 | 3.59 7.25 | KSURCPFD10-500J KSURCPFD10-1000 |

[Caution on Secondary Operations] ① Please read "Cautions on Performing Secondary Operations" (Page 242) when performing modifications and/or secondary operations for safety concerns.

[Caution on J series] ① As available-on-request products, these require a lead-time for shipping within 2 working days (excludes the day ordered), after placing an order.

② Number of products we can process for one order is 1 to 20 units. For quantities of 21 or more pieces, we need to quote price and lead time.